



Chipsmall Limited consists of a professional team with an average of over 10 year of expertise in the distribution of electronic components. Based in Hongkong, we have already established firm and mutual-benefit business relationships with customers from,Europe,America and south Asia,supplying obsolete and hard-to-find components to meet their specific needs.

With the principle of “Quality Parts,Customers Priority,Honest Operation,and Considerate Service”,our business mainly focus on the distribution of electronic components. Line cards we deal with include Microchip,ALPS,ROHM,Xilinx,Pulse,ON,Everlight and Freescale. Main products comprise IC,Modules,Potentiometer,IC Socket,Relay,Connector.Our parts cover such applications as commercial,industrial, and automotives areas.

We are looking forward to setting up business relationship with you and hope to provide you with the best service and solution. Let us make a better world for our industry!



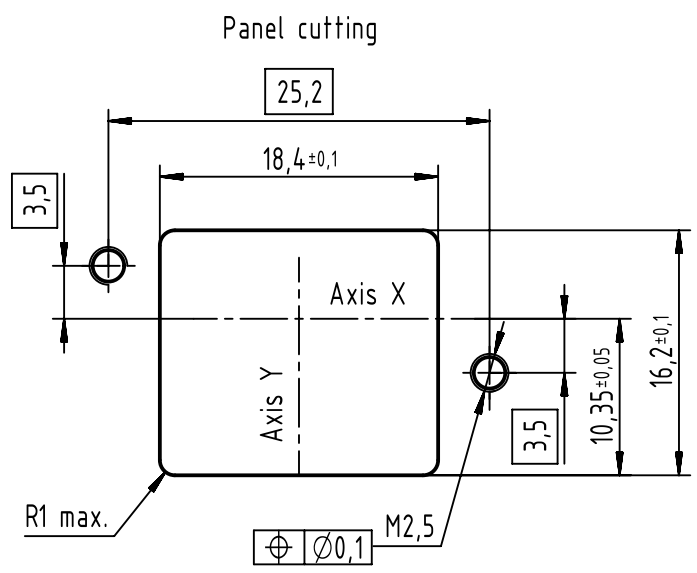
Contact us

Tel: +86-755-8981 8866 Fax: +86-755-8427 6832

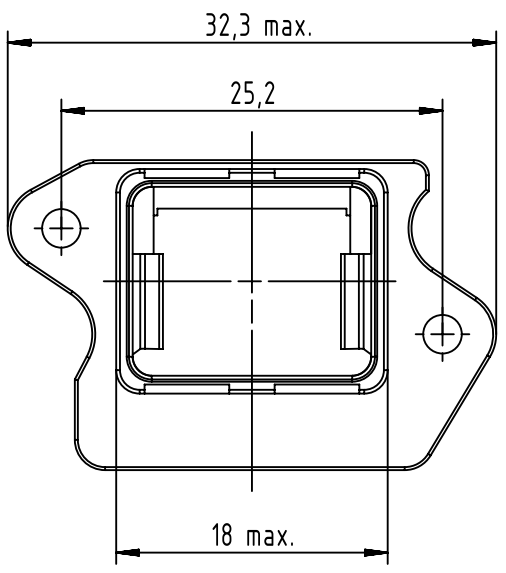
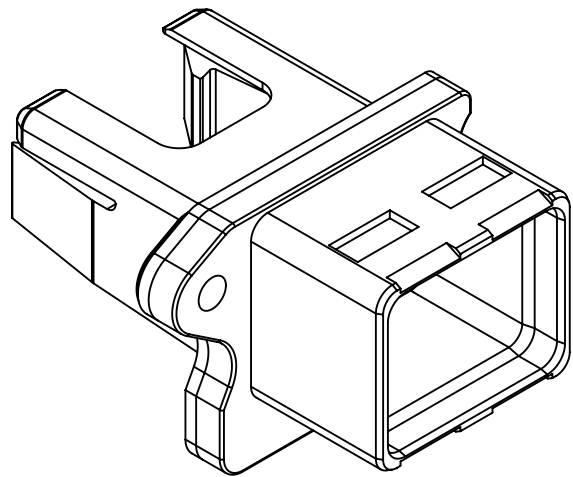
Email & Skype: info@chipsmall.com Web: www.chipsmall.com

Address: A1208, Overseas Decoration Building, #122 Zhenhua RD., Futian, Shenzhen, China





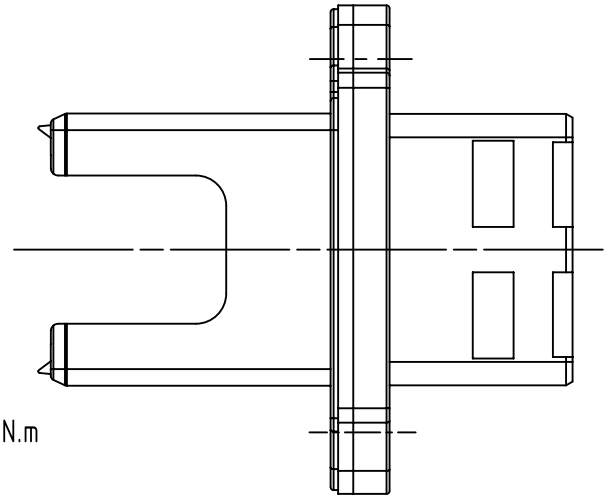
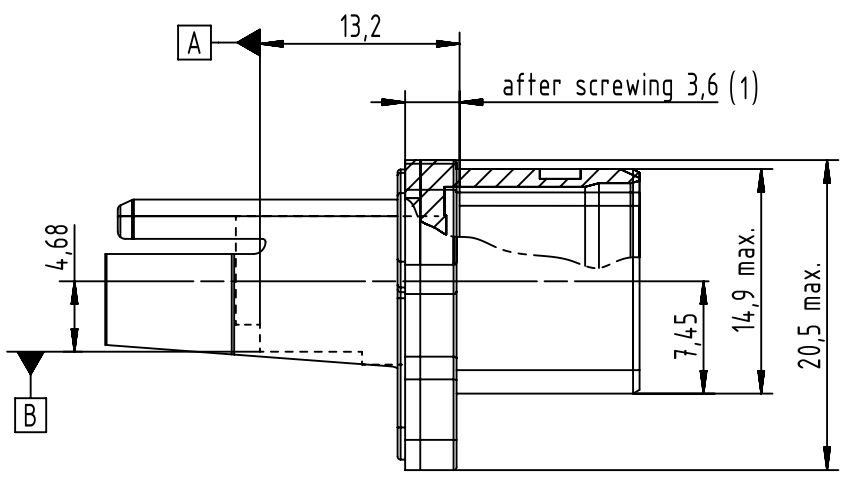
MAXI PANEL THICKNESS: 3,5mm.
M2,5 threads musn't go through the panel.



Connector pitch on panel:
Axis X = 27 mm and Axis Y = 21 mm
Receptacle mating side according to
60076-3-106 IEC - variant 04

Mating references A and B
according to IEC 60603-7

(1) Screwing x2 M2,5 screws from 0,3 N.m and 0,5 N.m
screw according to DIN 912 and ISO 4762



	All Dimensions in mm Original Size DIN A4		Scale 2:1	Free size tol.		Ref.
						Sub.
	All rights reserved		Created by SONN	Inspected by BAGDIKIAN	Standardisation HASSE	Date 2014-10-09
	Department EC PD - FR					State Final Release
HARTING Electronics GmbH D-32339 Espelkamp			Title HPP V4 C-PFT housing w. clip			Doc-Key / ECM-Nr. 100184653/UGD/001/C 500000080400
			Type TB	Number 09455450029		Rev. C Page 1/1