



Chipsmall Limited consists of a professional team with an average of over 10 year of expertise in the distribution of electronic components. Based in Hongkong, we have already established firm and mutual-benefit business relationships with customers from,Europe,America and south Asia,supplying obsolete and hard-to-find components to meet their specific needs.

With the principle of “Quality Parts,Customers Priority,Honest Operation,and Considerate Service”,our business mainly focus on the distribution of electronic components. Line cards we deal with include Microchip,ALPS,ROHM,Xilinx,Pulse,ON,Everlight and Freescale. Main products comprise IC,Modules,Potentiometer,IC Socket,Relay,Connector.Our parts cover such applications as commercial,industrial, and automotives areas.

We are looking forward to setting up business relationship with you and hope to provide you with the best service and solution. Let us make a better world for our industry!



## Contact us

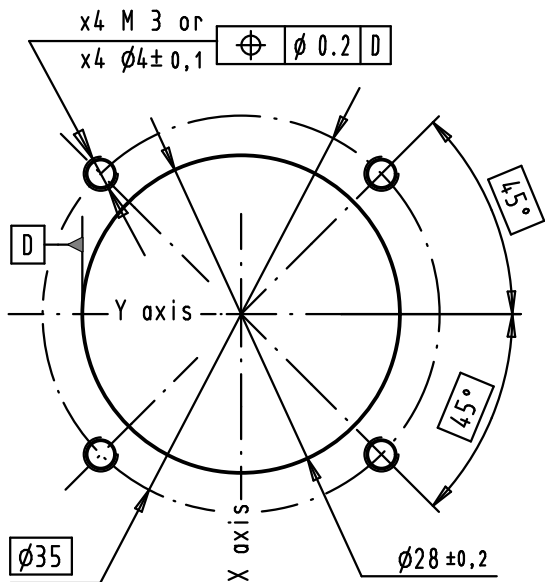
Tel: +86-755-8981 8866 Fax: +86-755-8427 6832

Email & Skype: info@chipsmall.com Web: www.chipsmall.com

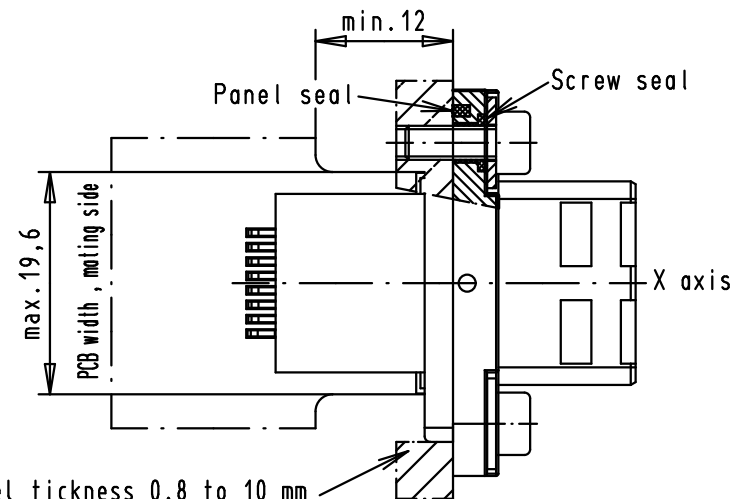
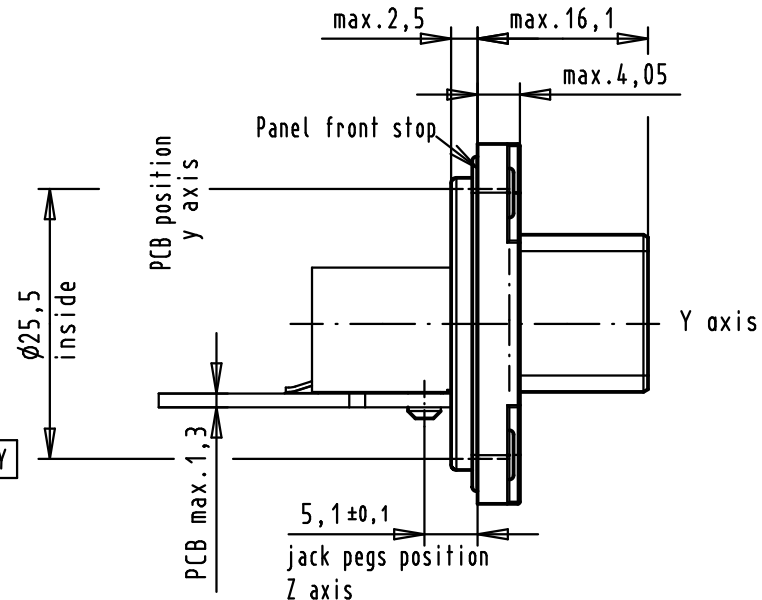
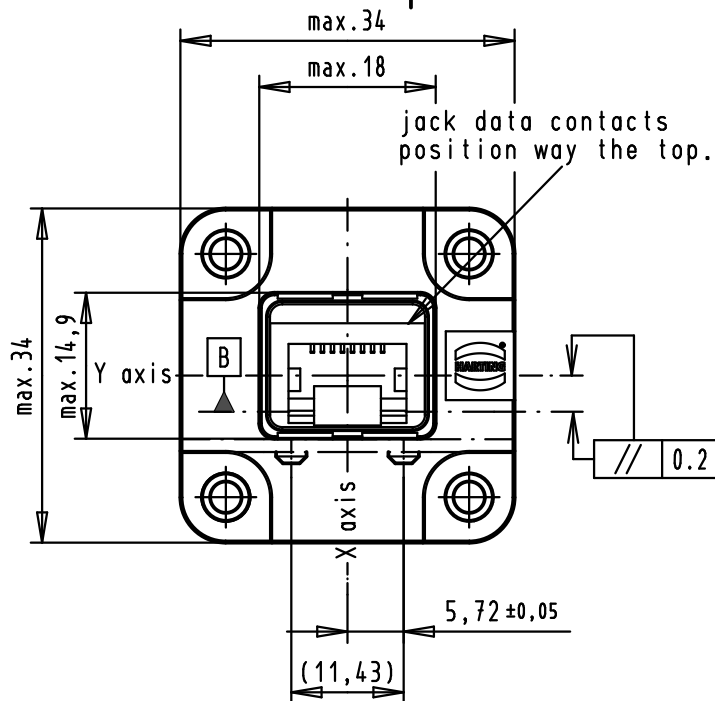
Address: A1208, Overseas Decoration Building, #122 Zhenhua RD., Futian, Shenzhen, China







Panel cutting

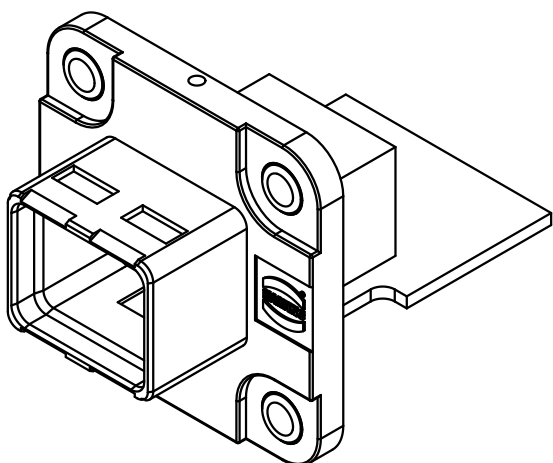


Connector pitches on panel = 35 mm  
 Receptacle mating face according to  
 IEC 61076-3-106 - variant 04

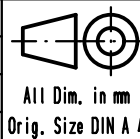
Jack B reference according to IEC 60603-7

Position dimensions for  
 Harting SMD jack P/N 09 45 551 1100  
 PCB layout see TB 09 45 551 1100

Screwing by x4 M3 screws with torque 0,5 N.m  
 with flat washer under the screw



Mod.	Dot.	Name	Detail.	Dot.	Name
				10/05/06	JFB
			Insp.		
			Stand.		
33812	23/oct/06	JFB	HARTING EURL F-95972 Paris		
33468	10/may/06	JFB			
Mod.	Dot.	Name			



All Dim. in mm  
 Orig. Size DIN A 4



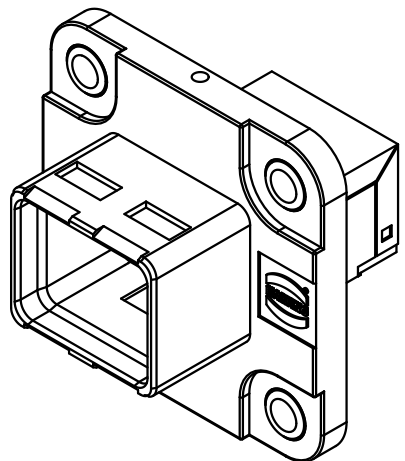
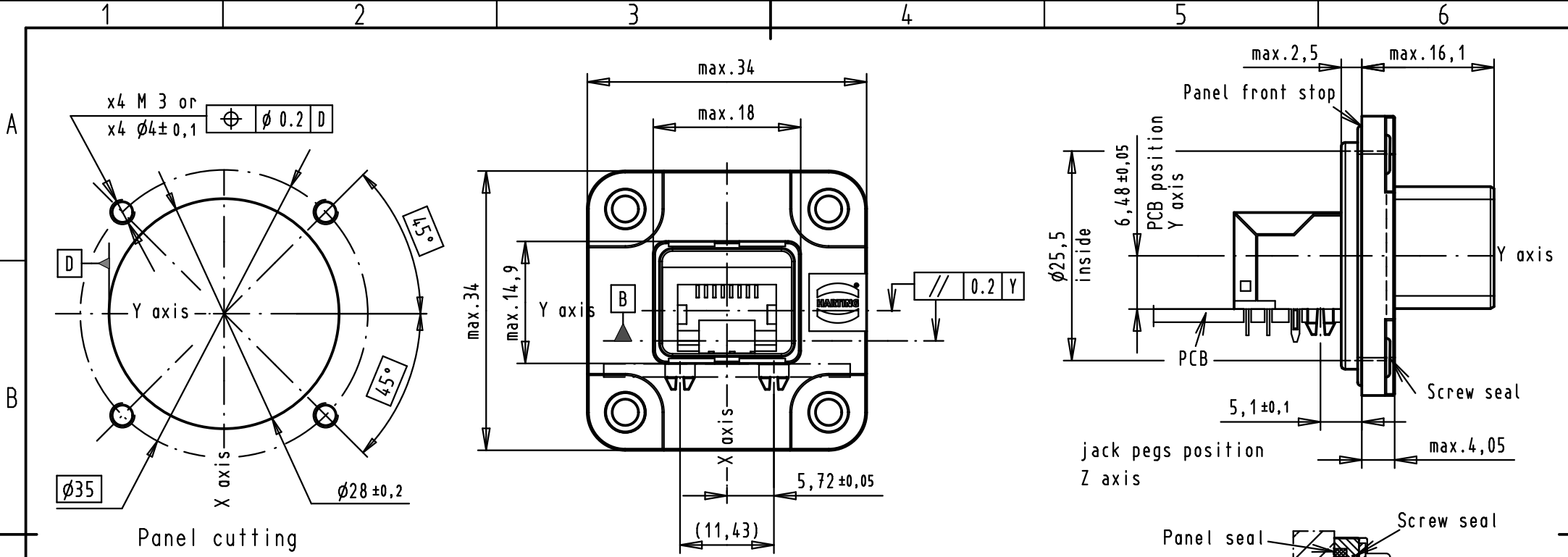
Push-Pull RJ industrial  
 Easy install IP 67 receptacle  
 With position dimensions of  
 Harting SMD jack  
 P/N 09 45 551 1100

TB 09 45 545 0030

Sub.

Maßstab/  
 Scale  
 1,5/1

Blatt/ Page  
 2

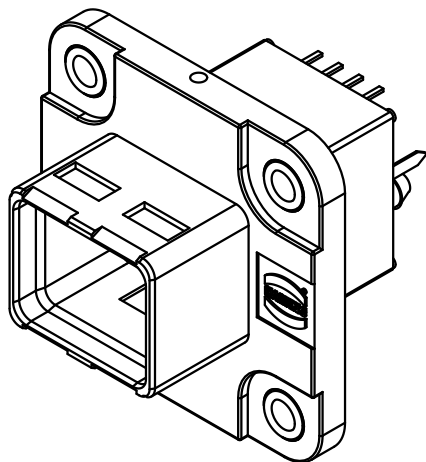
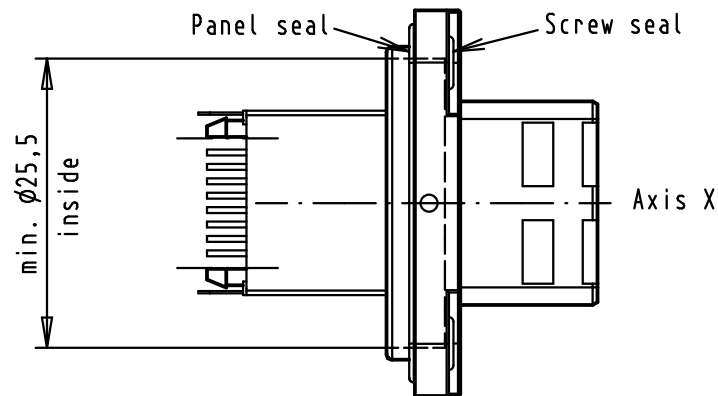
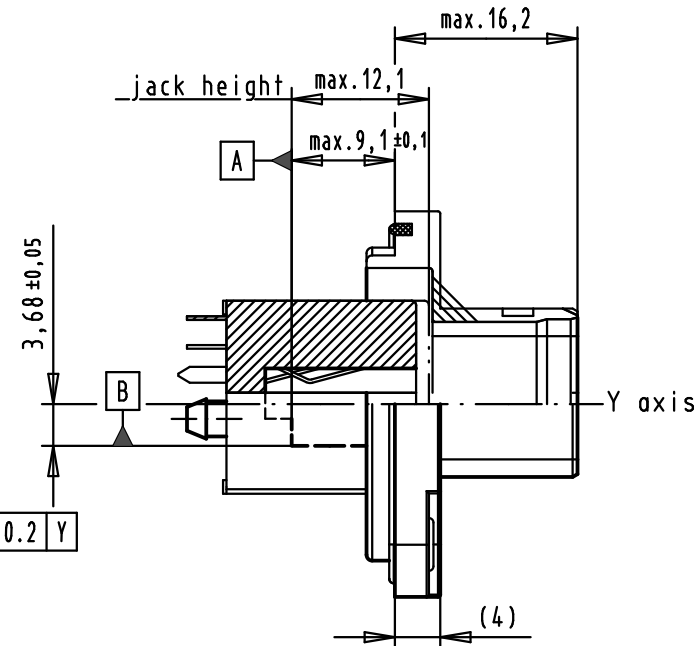
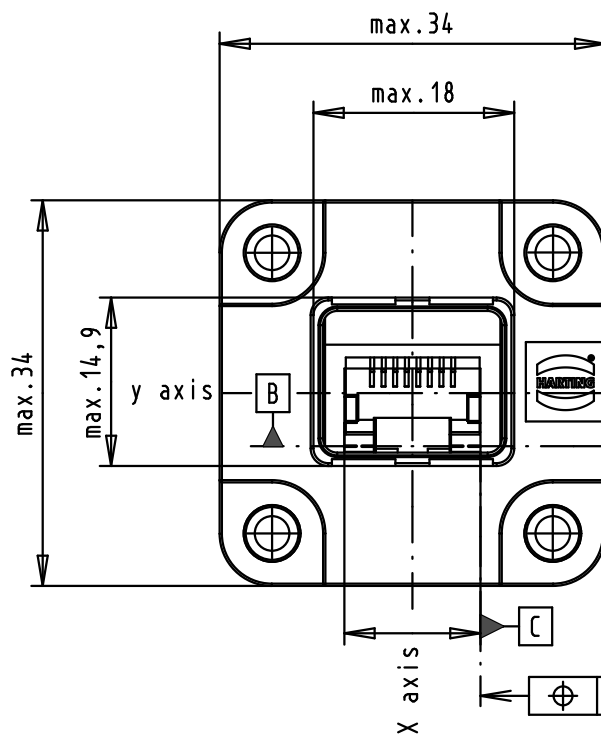
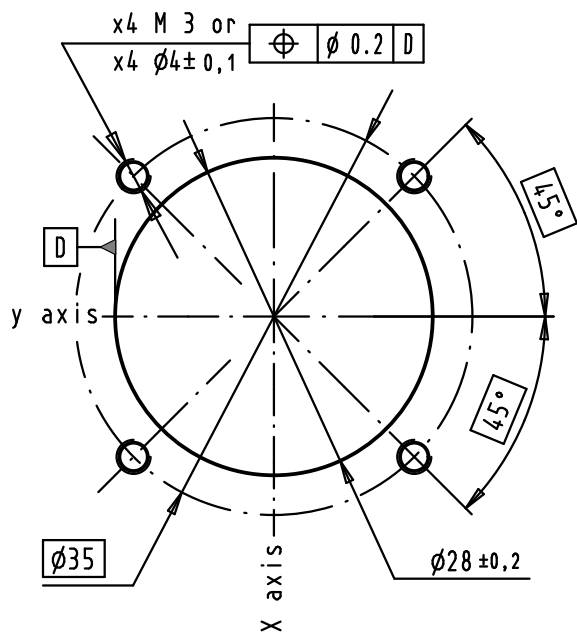


Connector pitches on panel = 35 mm  
 Receptacle mating face according to IEC 61076-3-106 - variant 04  
 Jack B Ref according to IEC 60603-7  
 Position dimensions for Harting right angle jack.  
 PCB layout see TB 0945 551 1102.  
 Screwing by x4 M3 screws with torque 0,5 N.m with flat washer under the screw

Panel tickness 0.8 to 10 mm


				Dot.	Name	<p>All Dim. in mm Orig. Size DIN A 4</p>	Push-Pull RJ industrial Easy install IP 67 receptacle With position dimensions of Harting right angle jack P/N 09 45 551 1102	Maßstab/ Scale  1,5/1
			Detail.	21/04/06	JFB			
			Insp.					
			Stand.					
33812	23/oct/06	JFB	HARTING EURL F-95972 Paris				TB 09 45 545 0030	Blatt/ Page 3
33468	27/apr/06	JFB						
Mod.	Dot.	Name						

Panel cutting



Connector pitches on panel = 35 mm  
 Receptacle mating face according to IEC 61076-3-106 - variant 04  
 A, B, C jack references according to IEC 60603-7

Screwing by x4 M3 screws with torque 0,5 N.m with flat washer under the screw

			Dot.	Name	 All Dim. in mm Orig. Size DIN A 3	Push-pull RJ Industrial Easy install IP 67 receptacle for vertical modular jack.	Maßstab/ Scale 1,5:1
		Detail.	29/No/07	JFB			
		Insp.					
		Stand.					
34780	29/No/07	JFB	HARTING EURL F-95972 Paris			TB 09 45 545 0030 Sub.	Blatt/ Page 4
Mod.	Dot.	Name					