



Chipsmall Limited consists of a professional team with an average of over 10 year of expertise in the distribution of electronic components. Based in Hongkong, we have already established firm and mutual-benefit business relationships with customers from,Europe,America and south Asia,supplying obsolete and hard-to-find components to meet their specific needs.

With the principle of “Quality Parts,Customers Priority,Honest Operation,and Considerate Service”,our business mainly focus on the distribution of electronic components. Line cards we deal with include Microchip,ALPS,ROHM,Xilinx,Pulse,ON,Everlight and Freescale. Main products comprise IC,Modules,Potentiometer,IC Socket,Relay,Connector.Our parts cover such applications as commercial,industrial, and automotives areas.

We are looking forward to setting up business relationship with you and hope to provide you with the best service and solution. Let us make a better world for our industry!



Contact us

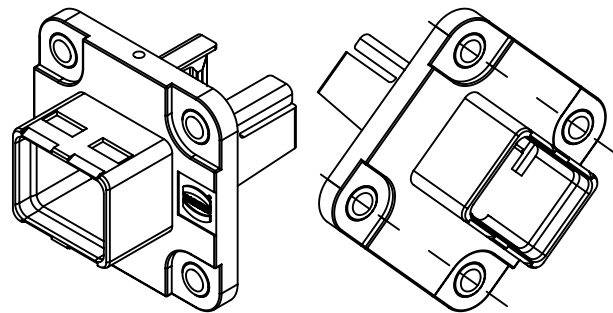
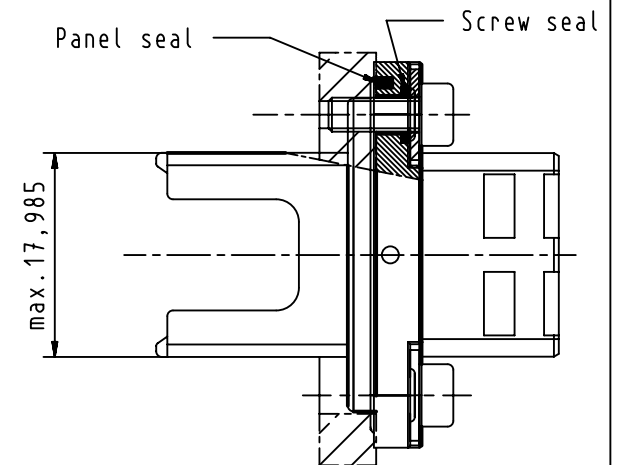
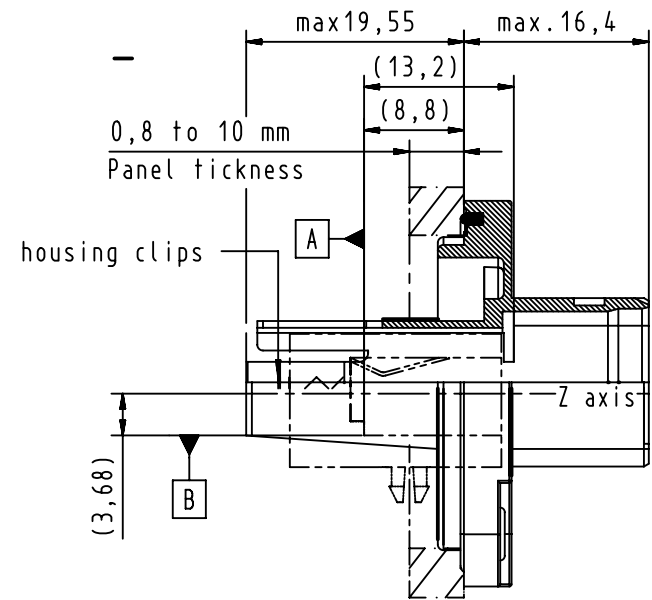
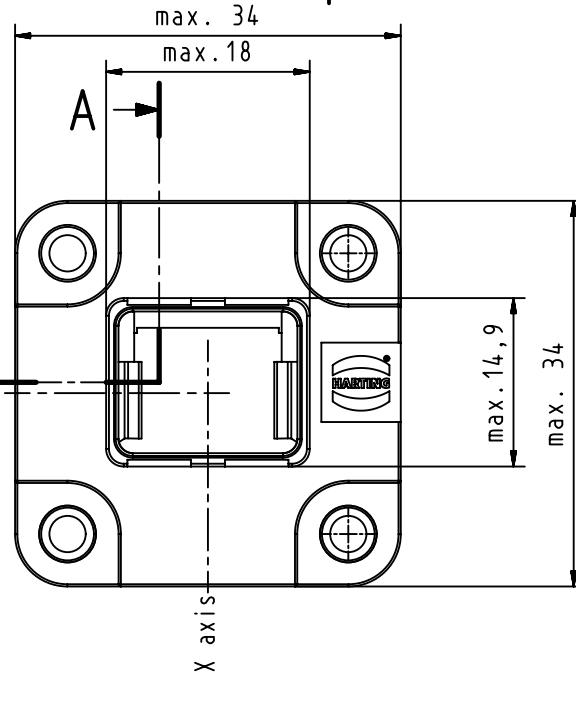
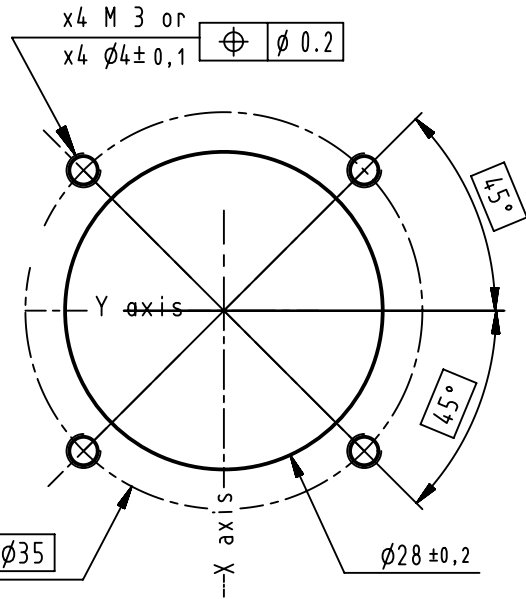
Tel: +86-755-8981 8866 Fax: +86-755-8427 6832

Email & Skype: info@chipsmall.com Web: www.chipsmall.com

Address: A1208, Overseas Decoration Building, #122 Zhenhua RD., Futian, Shenzhen, China




Panel cutting



Connector pitches on panel = 35 mm
 Receptacle mating face acc. to
 IEC 61076-3-106 - variant 04

A , B jack references according to
 IEC 60603-7

Screwing with 4x M3 screws and flat washer
 Screwing torque 0.5 N.m

	All rights reserved	Created by BARLEMONT	Inspected by DAUCHELLE	Standardisation KOHLER	Date 2013-08-05	State Final Release	
	Department EC PD - FR	Title Push Pull easy install IP67 receptacle				Doc-Key / ECM-Nr. 100195927/UGD/001/B 500000054.806	
HARTING Electronics GmbH D-32339 Espelkamp		Type TB	Number 09455450031			Rev. B	Page 1/1