



Chipsmall Limited consists of a professional team with an average of over 10 year of expertise in the distribution of electronic components. Based in Hongkong, we have already established firm and mutual-benefit business relationships with customers from,Europe,America and south Asia,supplying obsolete and hard-to-find components to meet their specific needs.

With the principle of “Quality Parts,Customers Priority,Honest Operation,and Considerate Service”,our business mainly focus on the distribution of electronic components. Line cards we deal with include Microchip,ALPS,ROHM,Xilinx,Pulse,ON,Everlight and Freescale. Main products comprise IC,Modules,Potentiometer,IC Socket,Relay,Connector.Our parts cover such applications as commercial,industrial, and automotives areas.

We are looking forward to setting up business relationship with you and hope to provide you with the best service and solution. Let us make a better world for our industry!



## Contact us

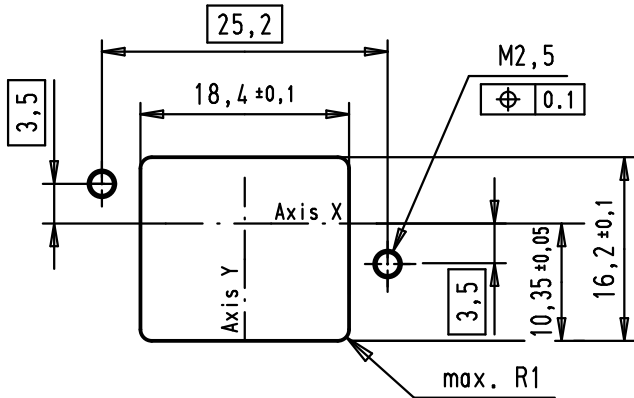
Tel: +86-755-8981 8866 Fax: +86-755-8427 6832

Email & Skype: info@chipsmall.com Web: www.chipsmall.com

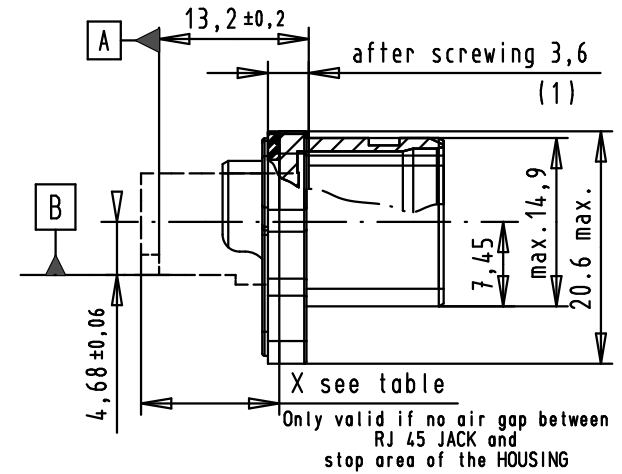
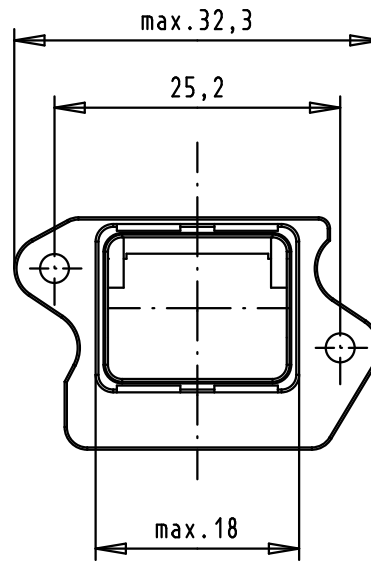
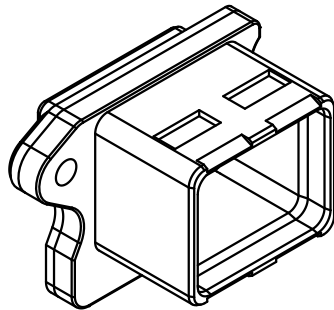
Address: A1208, Overseas Decoration Building, #122 Zhenhua RD., Futian, Shenzhen, China



PANEL CUTTING



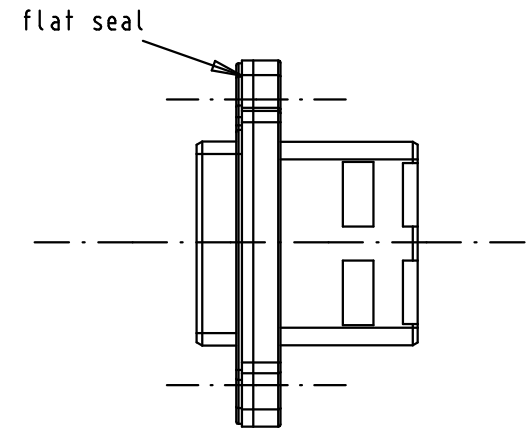
MAXI PANEL THICKNESS: 3.5mm.  
M2.5 threads musn't go through the panel.



Connector pitch on panel:  
Axis X = 27 mm and Axis Y = 21 mm  
Receptacle mating side according to  
600076-3-106 IEC - variant 04

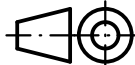

RJ 45 jack mating references A and B  
according to IEC 60603-7

(1) Screwing x2 M2.5 screws between 0.5N.m and 0.8N.m  
screw according to DIN 912 and ISO 4762



NO AIR GAP BETWEEN RJ45 JACK AND HOUSING

RJ 45 JACK VARIANT	TB	X
angled jack SMD variant	09 45 551 1100	17.6 +/-0.4
angled jack SOLDER PIN variant	09 45 551 1102	17.6 +/-0.4

Mod.	Dat.	Name	Det.	Name	 All Dim. in mm Orig. Size DIN A 4	Push pull RJ Industrial black Thermoplastic IP67 Receptacle with overmolded flat Seal For angled jacks and power	Maßstab/ Scale	
			Detail.	12/01/10			AB	1,5:1
			Insp.	14/06/11			JMV	
36243	14/06/11	AB	Stand.			TB 09 45 545 00 33 Sub.	Blatt/ Page	
36092	05/09/10	AB	HARTING EURL F-95972 Paris					1 / 1
EC01204	12/01/10	AB						