



Chipsmall Limited consists of a professional team with an average of over 10 year of expertise in the distribution of electronic components. Based in Hongkong, we have already established firm and mutual-benefit business relationships with customers from,Europe,America and south Asia,supplying obsolete and hard-to-find components to meet their specific needs.

With the principle of "Quality Parts,Customers Priority,Honest Operation,and Considerate Service",our business mainly focus on the distribution of electronic components. Line cards we deal with include Microchip,ALPS,ROHM,Xilinx,Pulse,ON,Everlight and Freescale. Main products comprise IC,Modules,Potentiometer,IC Socket,Relay,Connector.Our parts cover such applications as commercial,industrial, and automotives areas.

We are looking forward to setting up business relationship with you and hope to provide you with the best service and solution. Let us make a better world for our industry!



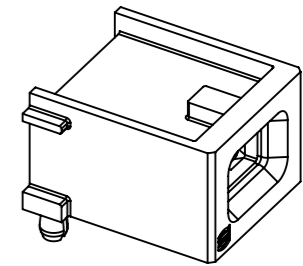
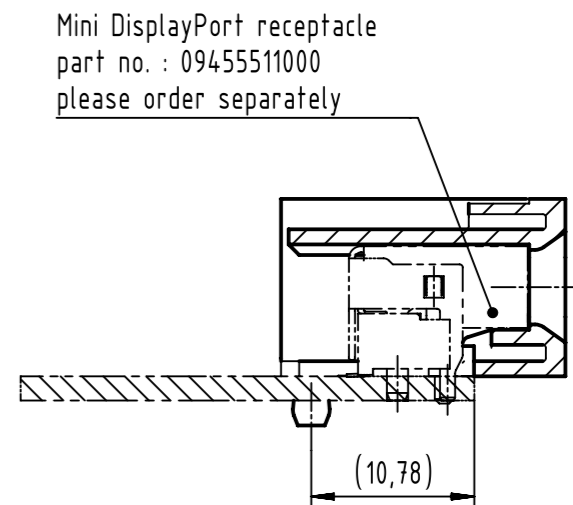
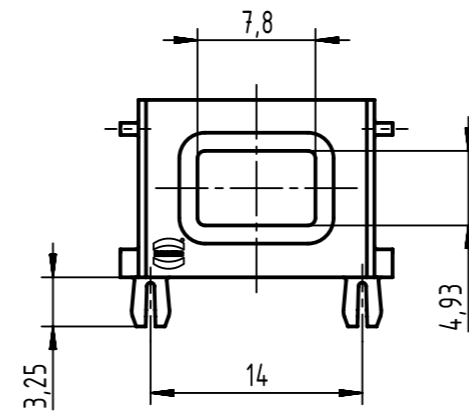
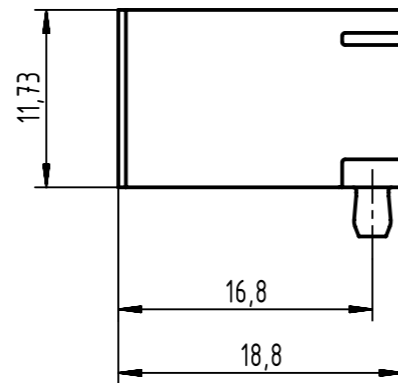
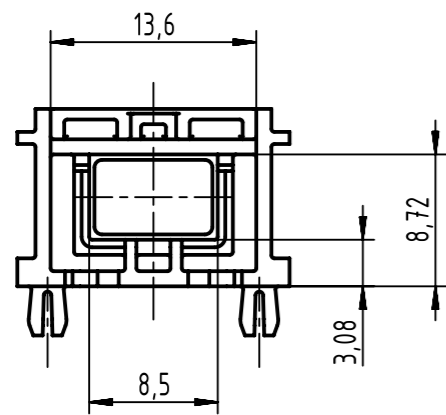
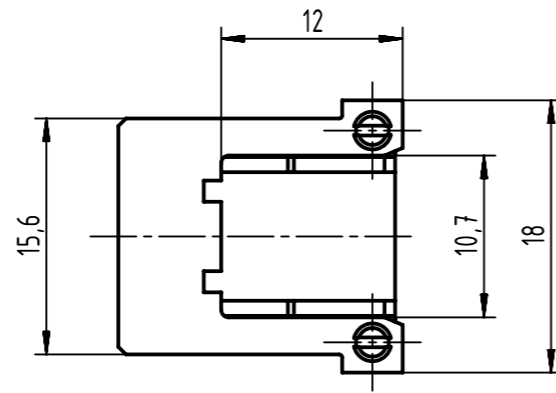
## Contact us

Tel: +86-755-8981 8866 Fax: +86-755-8427 6832

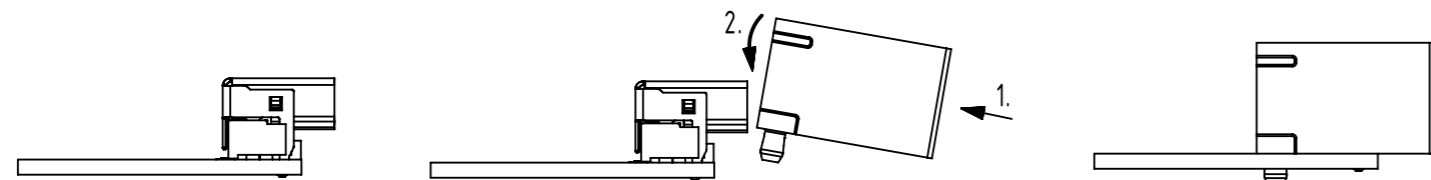
Email & Skype: info@chipsmall.com Web: www.chipsmall.com

Address: A1208, Overseas Decoration Building, #122 Zhenhua RD., Futian, Shenzhen, China





Adapter is mounted after soldering process



further information see: DS 0945000001  
 shall be used with Mini DisplayPort Receptacle acc. TB 09455511000  
 PCB layout see TB 09455511000

	All Dimensions in mm Original Size DIN A3		Scale 2:1	Free size tol.		Ref.	
	All rights reserved Department EC PD - DE		Created by HASSE	Inspected by LUECKEMEIERM	Standardisation HOFFMANN	Date 2017-09-22	State Final Release
HARTING Electronics GmbH D-32339 Espelkamp		Title HARTING PushPull Mini DisplayPort adapter				Doc-Key / ECM-Nr. 100659197/UGD/001/D 500000125431	
		Type TB	Number 09455451002		Rev. D	Page 1/1	