



Chipsmall Limited consists of a professional team with an average of over 10 year of expertise in the distribution of electronic components. Based in Hongkong, we have already established firm and mutual-benefit business relationships with customers from,Europe,America and south Asia,supplying obsolete and hard-to-find components to meet their specific needs.

With the principle of “Quality Parts,Customers Priority,Honest Operation,and Considerate Service”,our business mainly focus on the distribution of electronic components. Line cards we deal with include Microchip,ALPS,ROHM,Xilinx,Pulse,ON,Everlight and Freescale. Main products comprise IC,Modules,Potentiometer,IC Socket,Relay,Connector.Our parts cover such applications as commercial,industrial, and automotives areas.

We are looking forward to setting up business relationship with you and hope to provide you with the best service and solution. Let us make a better world for our industry!



Contact us

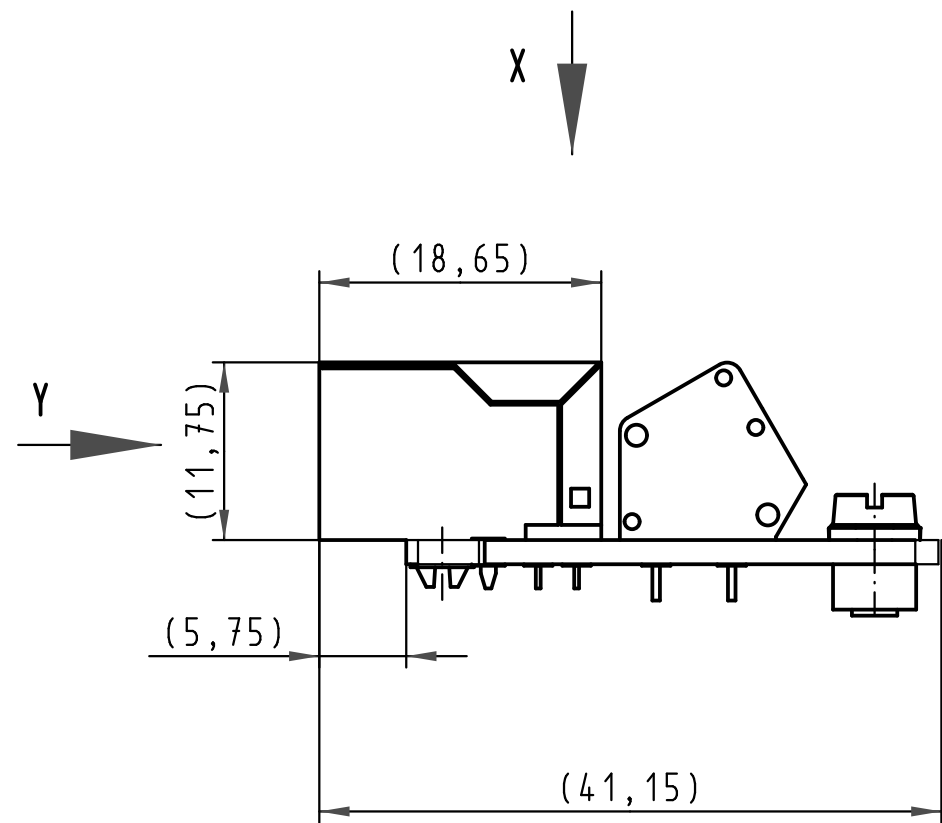
Tel: +86-755-8981 8866 Fax: +86-755-8427 6832

Email & Skype: info@chipsmall.com Web: www.chipsmall.com

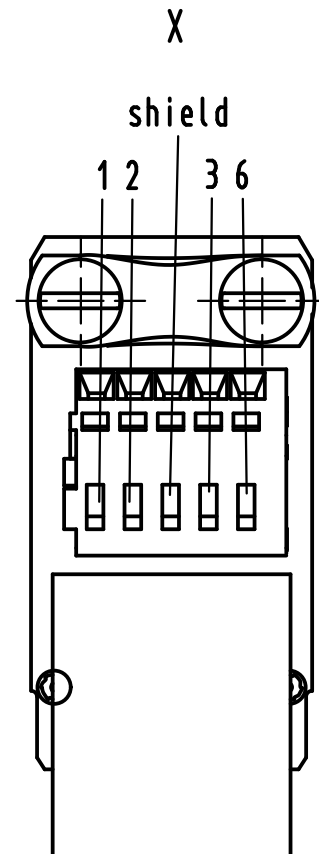
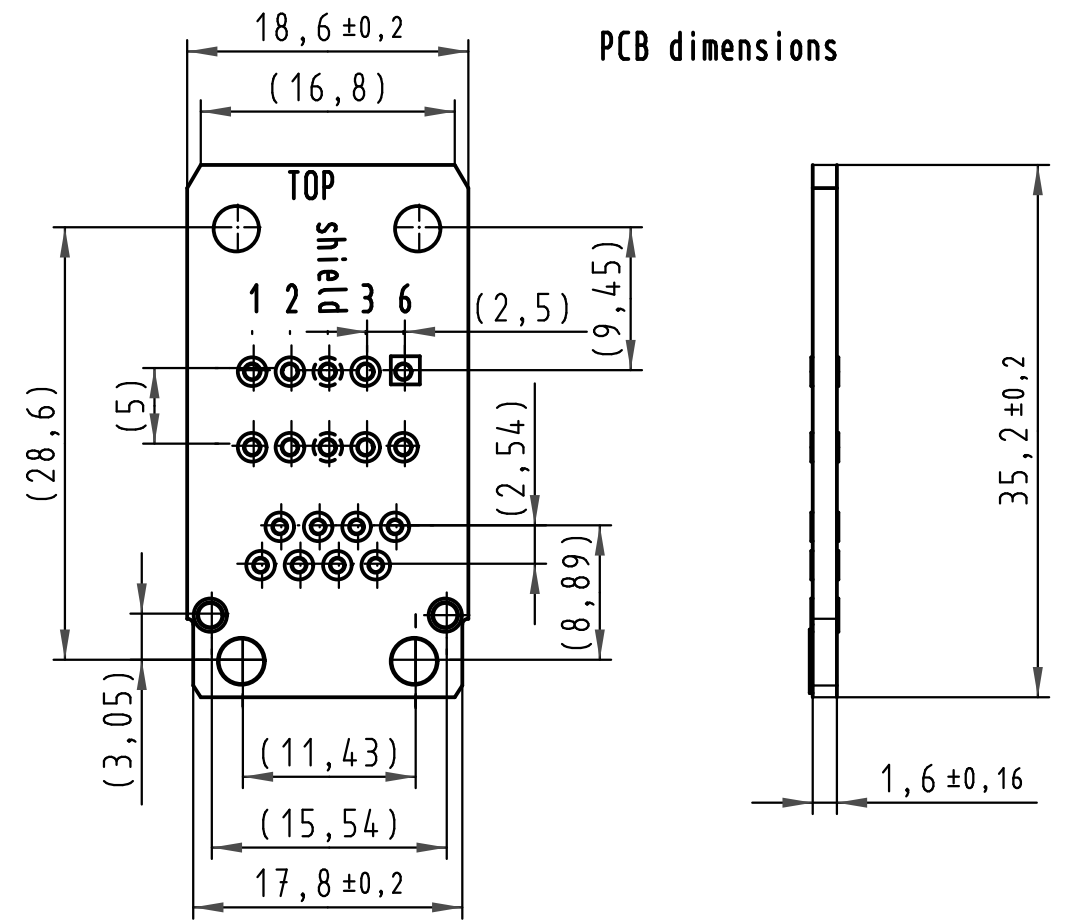
Address: A1208, Overseas Decoration Building, #122 Zhenhua RD., Futian, Shenzhen, China



Alle Rechte vorbehalten/ All rights reserved



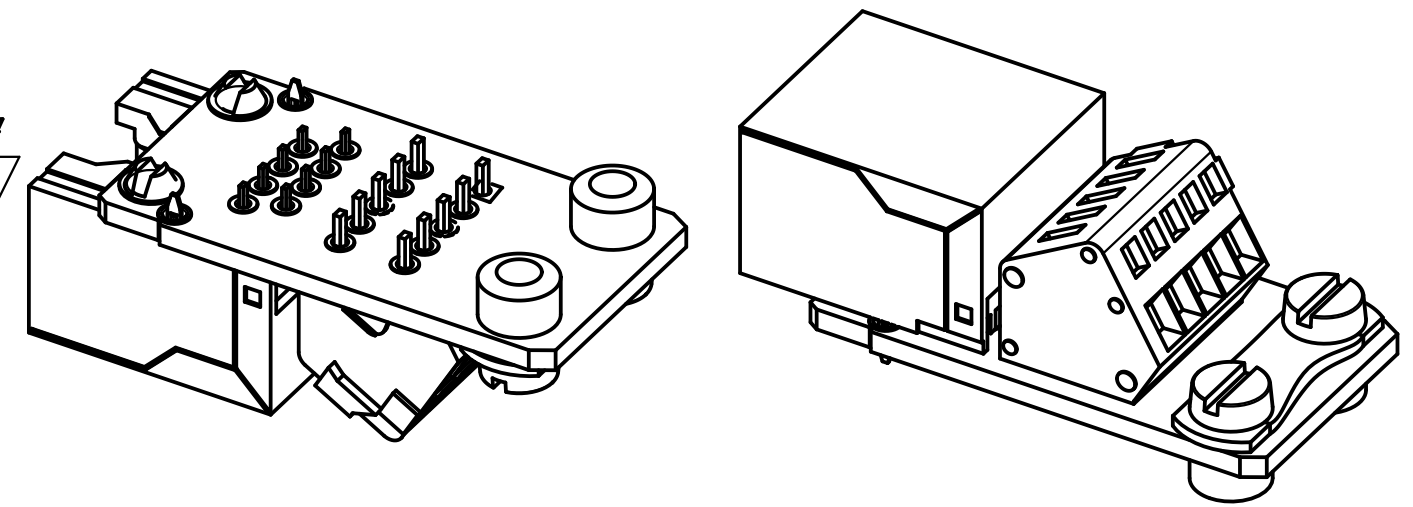
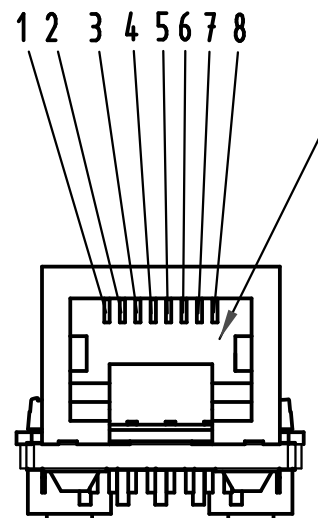
PCB dimensions



Loading-Plan



Mating face RJ45 according to IEC 60603-7



RJ45 PCB + RJ 45 Jack+5poles Cage Clamp	09 45 545 1135
Description	Part-No.

Wires cross-section: 5xAWG 28-20 (0.08-0.5 mm²)

All Dimensions in mm Original Size DIN A 3			Techn. Character.			Nicht tolerierte Maß/Free size tolerances			
Mod.	Dat.	Name	Dat.	Name	Maßstab/Scale	RJ45 PCB + RJ 45 Jack +5poles Cage Clamp			
			Detail.	19.05.08 MS	2:1			TB 09 45 545 1135	
			Insp.						
			Stand.						
35033	23.10.08	MS	HARTING Electronics GmbH & Co. KG D-32339 ESPELKAMP			Sub.			
34552						Blatt/ page			
Mod.	Dat.	Name							