



Chipsmall Limited consists of a professional team with an average of over 10 year of expertise in the distribution of electronic components. Based in Hongkong, we have already established firm and mutual-benefit business relationships with customers from,Europe,America and south Asia,supplying obsolete and hard-to-find components to meet their specific needs.

With the principle of “Quality Parts,Customers Priority,Honest Operation,and Considerate Service”,our business mainly focus on the distribution of electronic components. Line cards we deal with include Microchip,ALPS,ROHM,Xilinx,Pulse,ON,Everlight and Freescale. Main products comprise IC,Modules,Potentiometer,IC Socket,Relay,Connector.Our parts cover such applications as commercial,industrial, and automotives areas.

We are looking forward to setting up business relationship with you and hope to provide you with the best service and solution. Let us make a better world for our industry!



Contact us

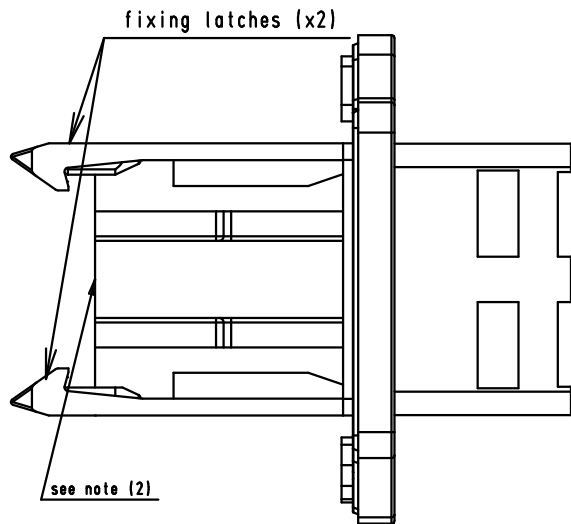
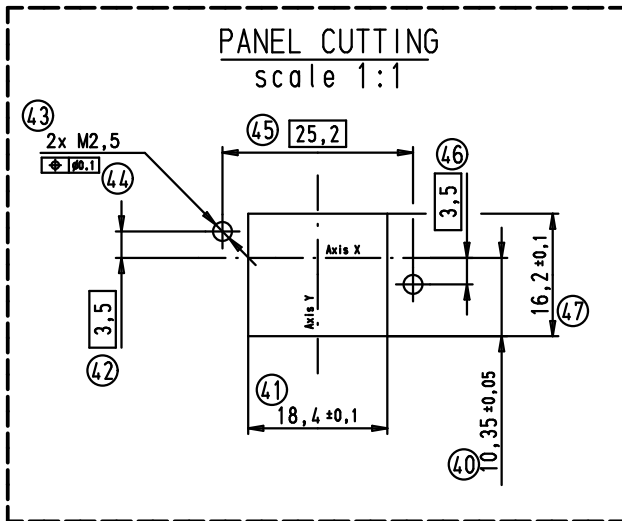
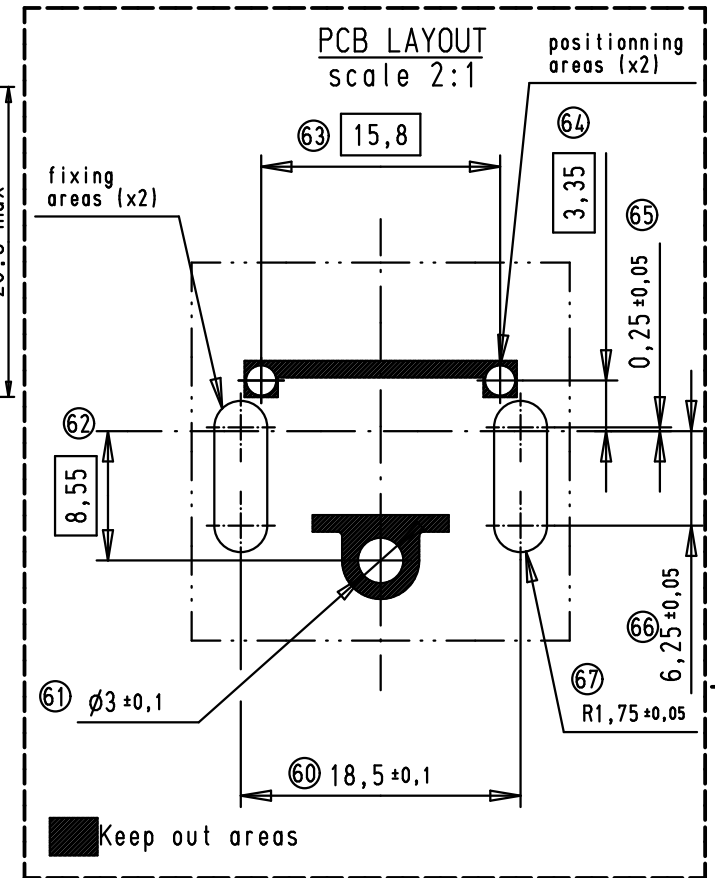
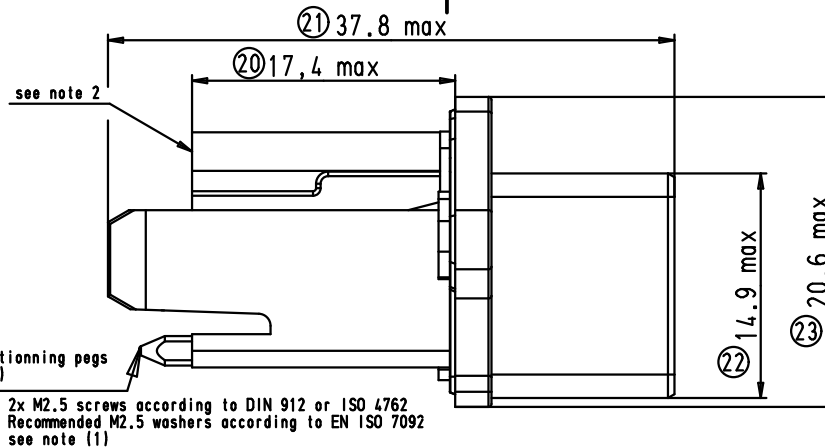
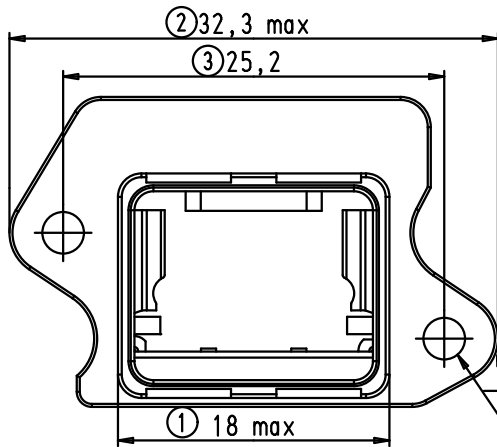
Tel: +86-755-8981 8866 Fax: +86-755-8427 6832

Email & Skype: info@chipsmall.com Web: www.chipsmall.com

Address: A1208, Overseas Decoration Building, #122 Zhenhua RD., Futian, Shenzhen, China

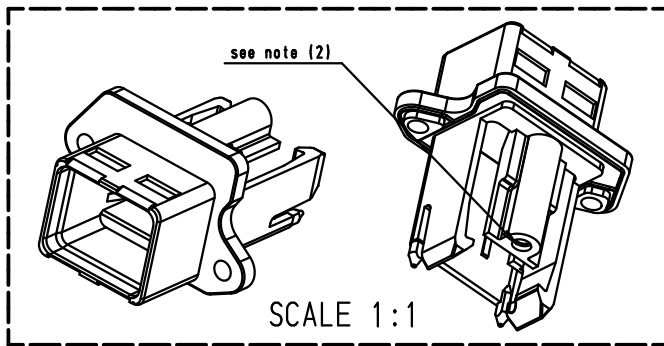


1 2 3 4 5 6



Compatible with hybrid push pull receptacle
TB 09 45 545 1300

- (1) screwing torque = 0.3N.m
- (2) screw between housing and PCB:
screw for plastic ϕ_{nom} 2.6mm
Lmax 6mm and screwing torque 0.45 to 0.5N.m



				Det.	Name	<p>All Dim. in mm Orig. Size DIN A 4</p>	<p>STRAIGHT HYBRID PUSH PULL HOUSING</p>	Maßstab/ Scale
			Detail.	24/09/08	AB			2:1
			Insp.					
			Stand.					
35317	24/09/08	AB	HARTING EURL F-95972 Paris				TB 09 45 545 1320	Blatt/ Page
Mod.	Det.	Name					Sub.	1 / 1