



Chipsmall Limited consists of a professional team with an average of over 10 year of expertise in the distribution of electronic components. Based in Hongkong, we have already established firm and mutual-benefit business relationships with customers from,Europe,America and south Asia,supplying obsolete and hard-to-find components to meet their specific needs.

With the principle of “Quality Parts,Customers Priority,Honest Operation,and Considerate Service”,our business mainly focus on the distribution of electronic components. Line cards we deal with include Microchip,ALPS,ROHM,Xilinx,Pulse,ON,Everlight and Freescale. Main products comprise IC,Modules,Potentiometer,IC Socket,Relay,Connector.Our parts cover such applications as commercial,industrial, and automotives areas.

We are looking forward to setting up business relationship with you and hope to provide you with the best service and solution. Let us make a better world for our industry!



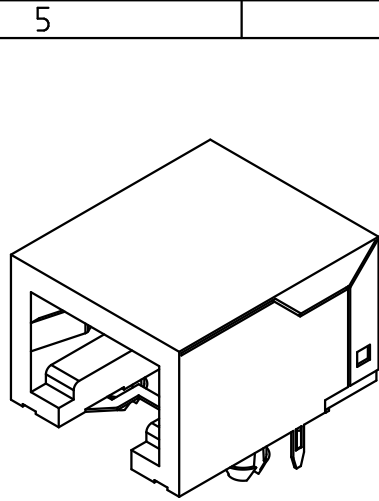
Contact us

Tel: +86-755-8981 8866 Fax: +86-755-8427 6832

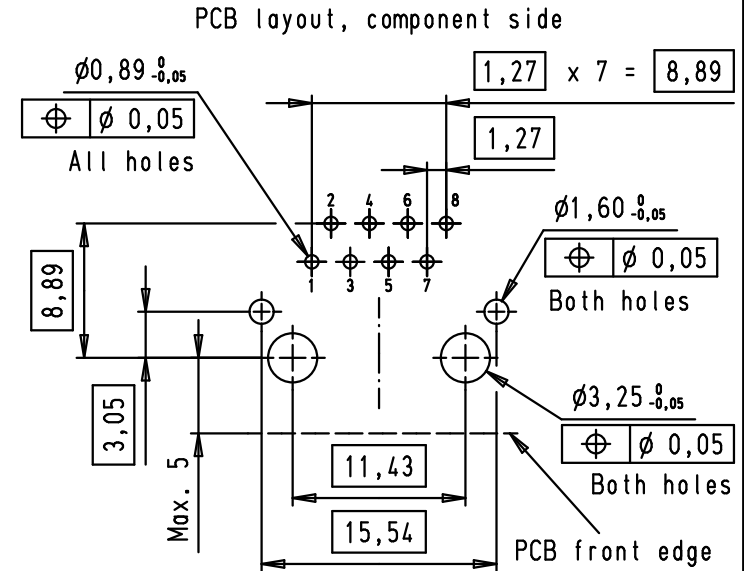
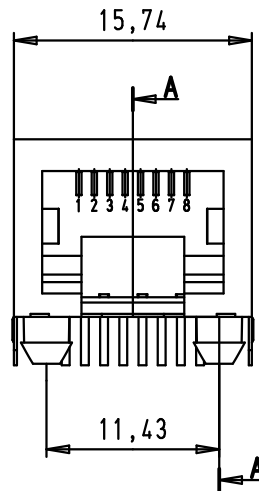
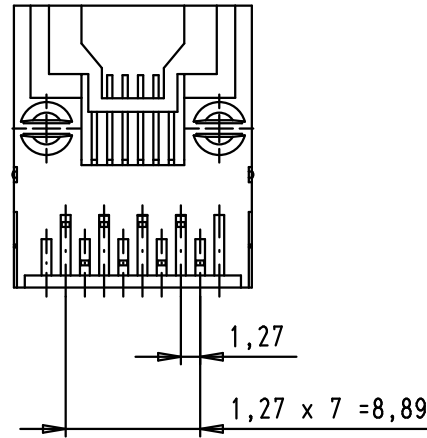
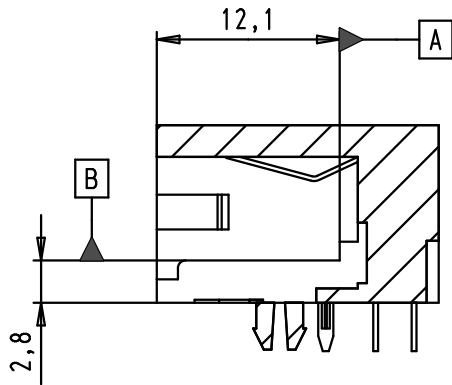
Email & Skype: info@chipsmall.com Web: www.chipsmall.com

Address: A1208, Overseas Decoration Building, #122 Zhenhua RD., Futian, Shenzhen, China





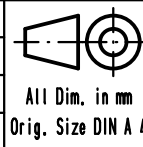
A-A



Material:
 Shielding: Copper alloy with nickel plating
 Insert: PBT, UL-94-V0, black
 Contact: -Phosphor Bronze, selective gold plating
 15μ , over nickel in contact area
 -Tin plating over nickel in solder area

36299	20/04/12	SD
35070	06/08/08	PK
34885	21/02/08	LP
33488	02/06/06	AM
33468	10/05/06	JFB
33426	08/02/06	AM
33107	23/09/05	AM
Mod.	Dat.	Name

	Dat.	Name
Detail.	23/09/05	AM
Insp.	23/09/05	JMV
Stand.		



HARTING RJ Industrial®
 RJ 45 Jack
 with 8 signal solder pins and
 2 rear grounding solder pins

Maßstab/
 Scale
 2:1

HARTING EURL
 F-95972 Paris



TB 09 45 551 1102

Blatt/ Page
 1 / 1