



Chipsmall Limited consists of a professional team with an average of over 10 year of expertise in the distribution of electronic components. Based in Hongkong, we have already established firm and mutual-benefit business relationships with customers from,Europe,America and south Asia,supplying obsolete and hard-to-find components to meet their specific needs.

With the principle of “Quality Parts,Customers Priority,Honest Operation,and Considerate Service”,our business mainly focus on the distribution of electronic components. Line cards we deal with include Microchip,ALPS,ROHM,Xilinx,Pulse,ON,Everlight and Freescale. Main products comprise IC,Modules,Potentiometer,IC Socket,Relay,Connector.Our parts cover such applications as commercial,industrial, and automotives areas.

We are looking forward to setting up business relationship with you and hope to provide you with the best service and solution. Let us make a better world for our industry!



Contact us

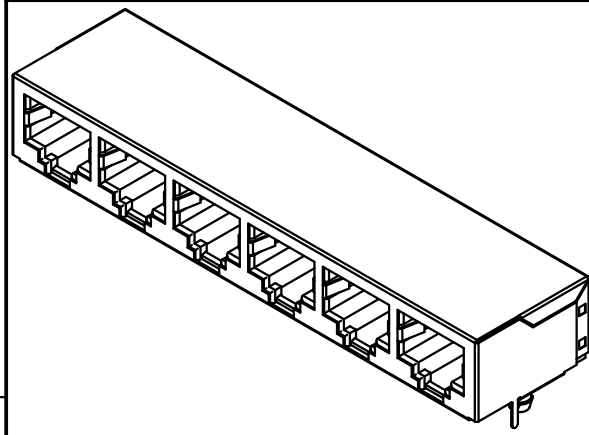
Tel: +86-755-8981 8866 Fax: +86-755-8427 6832

Email & Skype: info@chipsmall.com Web: www.chipsmall.com

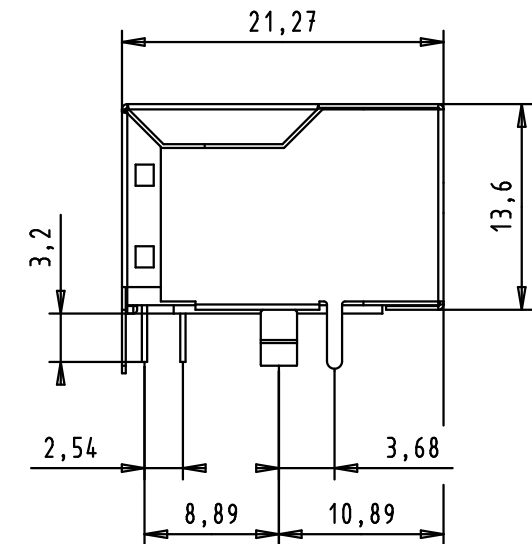
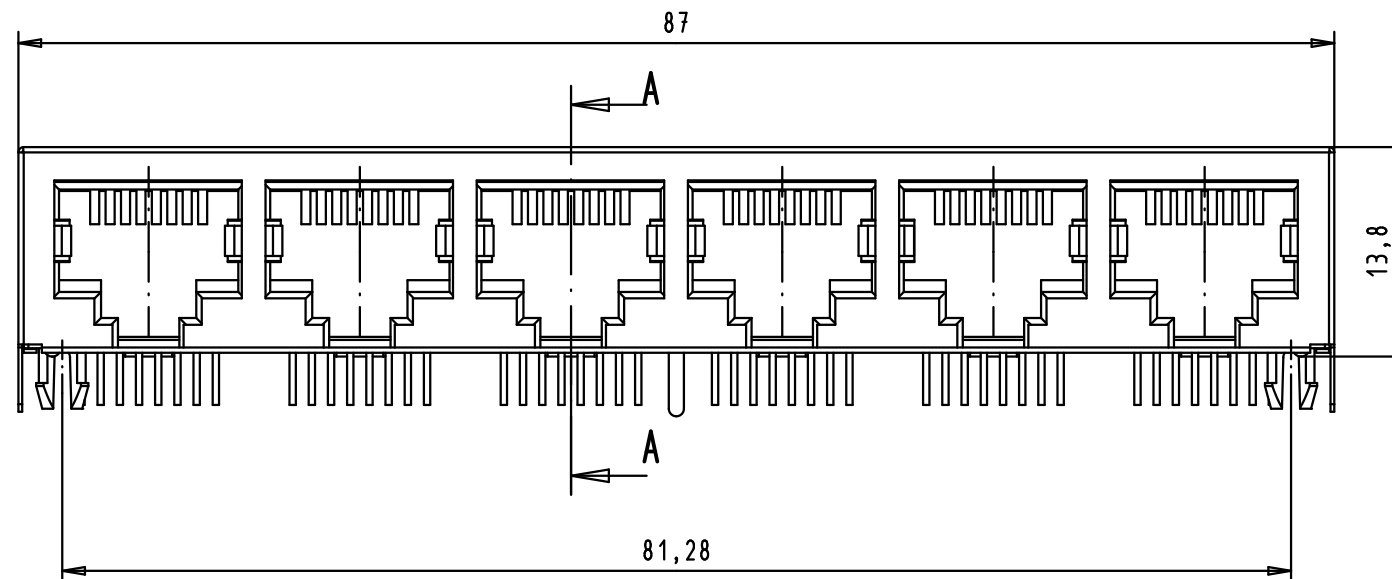
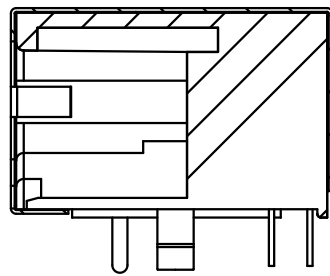
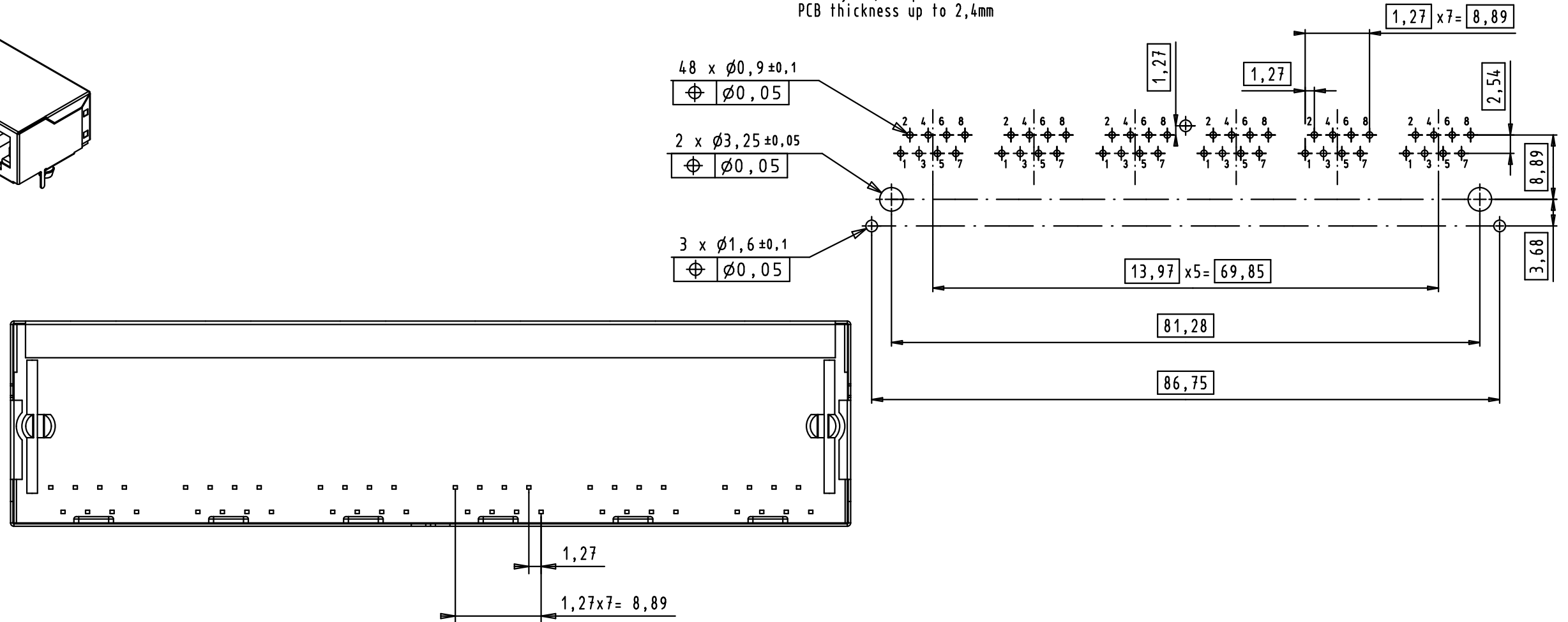
Address: A1208, Overseas Decoration Building, #122 Zhenhua RD., Futian, Shenzhen, China



Alle Rechte vorbehalten/ All rights reserved



PCB layout, component side
PCB thickness up to 2,4mm



Material: brass plating nickel alloy
Shielding: Thermoplastic, UL-94-V0, black
Insert: -Phosphor Bronze, selective gold plating
Contact: 15u" over nickel in contact area
-Tin plating over nickel in solder area

All Dimensions in mm Original Size DIN A 3			Techn. Character.			Nicht tolerierte Maße/ Free size tolerances		
			Dat.		Name	Maßstab/Scale		HARTING RJ Industrial® 6-ports modular RJ 45 Jack with 6x8 signal solder pins and 3 grounding solder pins
			Detail. 09/DEC/11		BH	2:1		
			Insp. 09/DEC/11		JB			
			Stand.					
36299	20/04/12	SD	HARTING EURL F-95972 Paris					TB 09 45 551 1126
EC03766						Sub.		Blatt/ page 1 / 1