



Chipsmall Limited consists of a professional team with an average of over 10 year of expertise in the distribution of electronic components. Based in Hongkong, we have already established firm and mutual-benefit business relationships with customers from,Europe,America and south Asia,supplying obsolete and hard-to-find components to meet their specific needs.

With the principle of “Quality Parts,Customers Priority,Honest Operation,and Considerate Service”,our business mainly focus on the distribution of electronic components. Line cards we deal with include Microchip,ALPS,ROHM,Xilinx,Pulse,ON,Everlight and Freescale. Main products comprise IC,Modules,Potentiometer,IC Socket,Relay,Connector.Our parts cover such applications as commercial,industrial, and automotives areas.

We are looking forward to setting up business relationship with you and hope to provide you with the best service and solution. Let us make a better world for our industry!



## Contact us

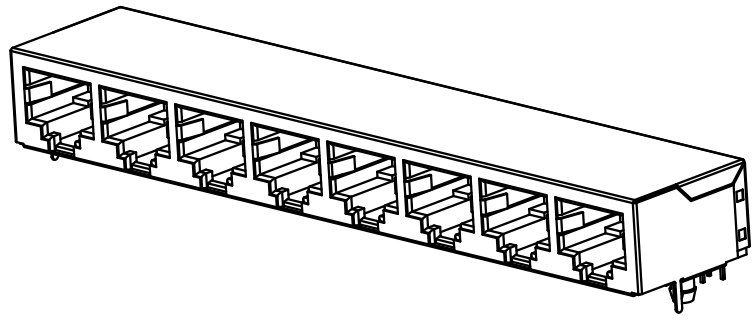
Tel: +86-755-8981 8866 Fax: +86-755-8427 6832

Email & Skype: info@chipsmall.com Web: www.chipsmall.com

Address: A1208, Overseas Decoration Building, #122 Zhenhua RD., Futian, Shenzhen, China

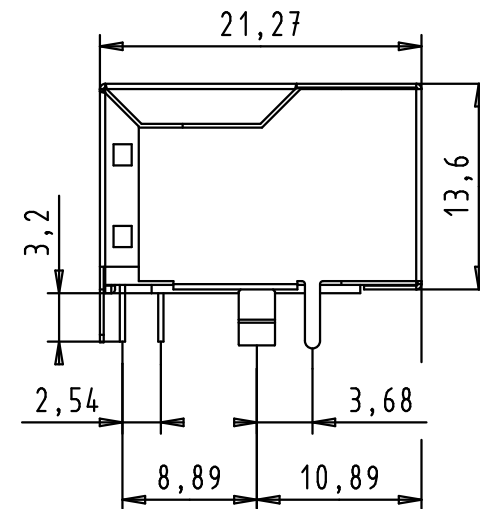
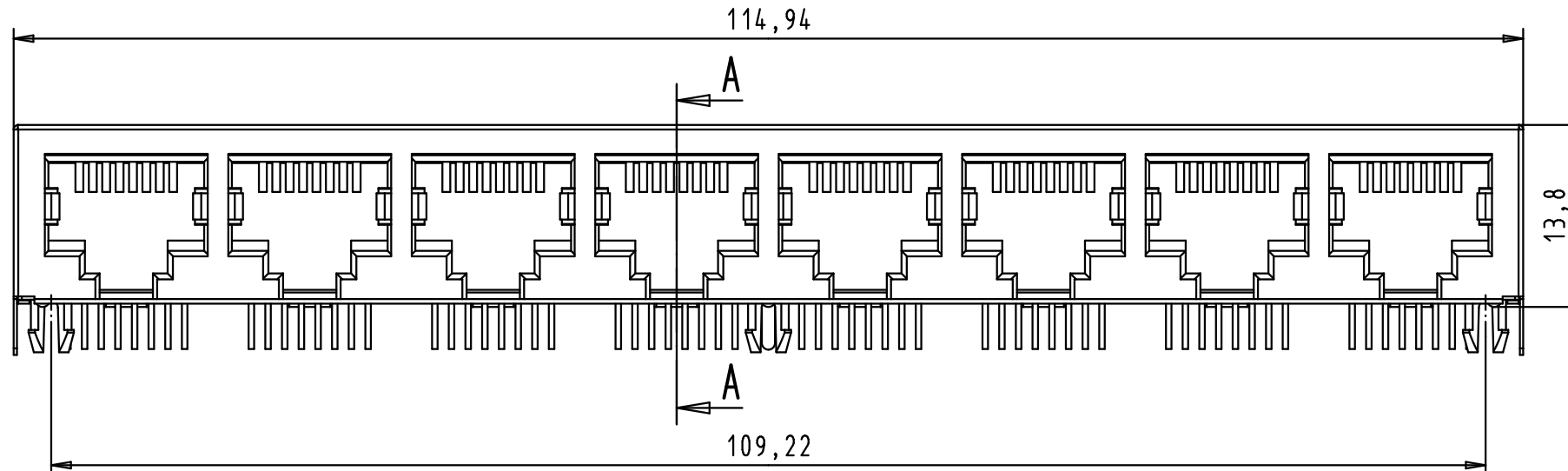
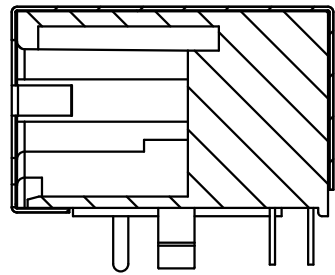
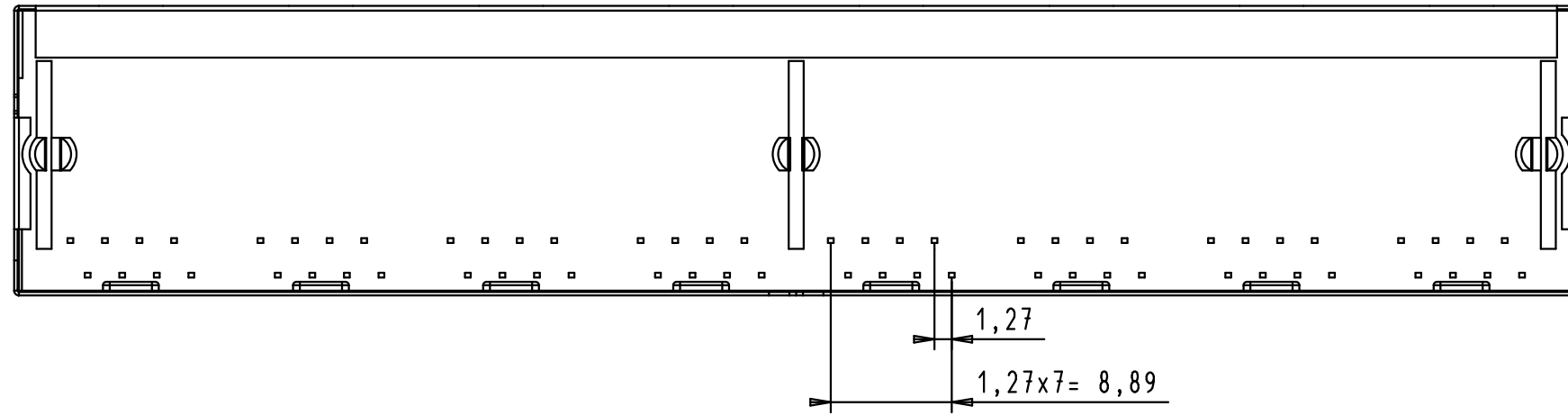
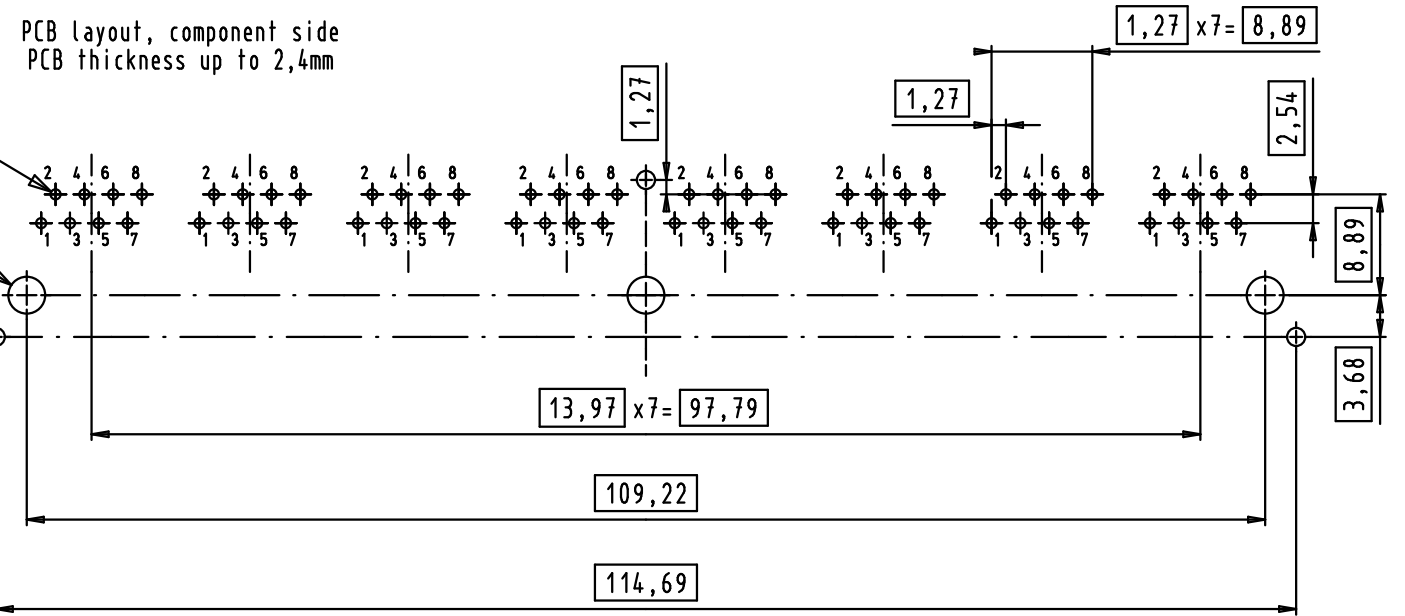


Alle Rechte vorbehalten/ All rights reserved



PCB layout, component side  
PCB thickness up to 2,4mm

- 64 x  $\varnothing 0,9 \pm 0,1$   
 $\varnothing 0,05$
- 3 x  $\varnothing 3,25 \pm 0,05$   
 $\varnothing 0,05$
- 3 x  $\varnothing 1,6 \pm 0,1$   
 $\varnothing 0,05$



Material:  
Shielding: brass plating nickel alloy  
Insert: Thermoplastic, UL-94-V0, black  
Contact: -Phosphor Bronze, selective gold plating  
          -15u" over nickel in contact area  
          -Tin plating over nickel in solder area

All Dimensions in mm Original Size DIN A 3			Techn. Character.			Nicht tolerierte Maßel Free size tolerances			
			Dat.	Name	Maßstab/Scale	HARTING RJ Industrial® 8-ports modular RJ 45 Jack with 8x8 signal solder pins and 3 grounding solder pins			
			Detail.	09/DEC/11					BH
			Insp.	12/JAN/11					JB
36299	20/04/12	SD	Stand.		2:1	<b>TB 09 45 551 1128</b> Sub.			
EC04229	12/JAN/11	BH	HARTING EURL F-95972 Paris						
EC03766									
Mod.	Dat.	Name				Blatt/ page 1 / 1			

