



Chipsmall Limited consists of a professional team with an average of over 10 year of expertise in the distribution of electronic components. Based in Hongkong, we have already established firm and mutual-benefit business relationships with customers from,Europe,America and south Asia,supplying obsolete and hard-to-find components to meet their specific needs.

With the principle of "Quality Parts,Customers Priority,Honest Operation,and Considerate Service",our business mainly focus on the distribution of electronic components. Line cards we deal with include Microchip,ALPS,ROHM,Xilinx,Pulse,ON,Everlight and Freescale. Main products comprise IC,Modules,Potentiometer,IC Socket,Relay,Connector.Our parts cover such applications as commercial,industrial, and automotives areas.

We are looking forward to setting up business relationship with you and hope to provide you with the best service and solution. Let us make a better world for our industry!



Contact us

Tel: +86-755-8981 8866 Fax: +86-755-8427 6832

Email & Skype: info@chipsmall.com Web: www.chipsmall.com

Address: A1208, Overseas Decoration Building, #122 Zhenhua RD., Futian, Shenzhen, China



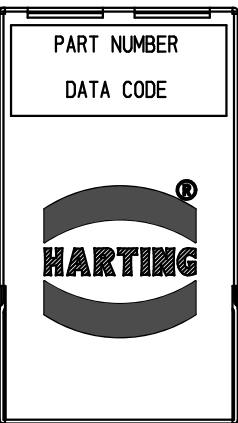
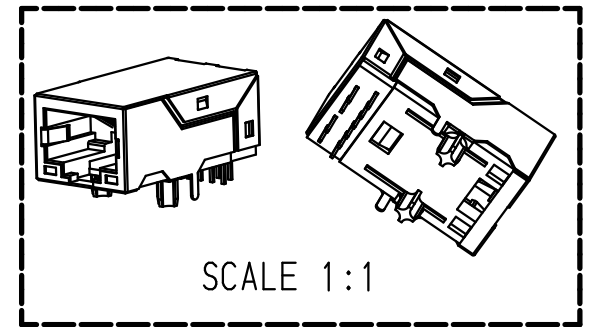
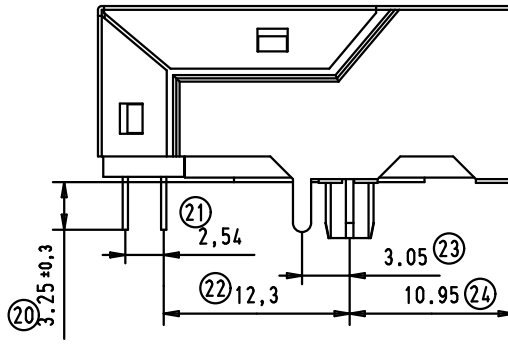
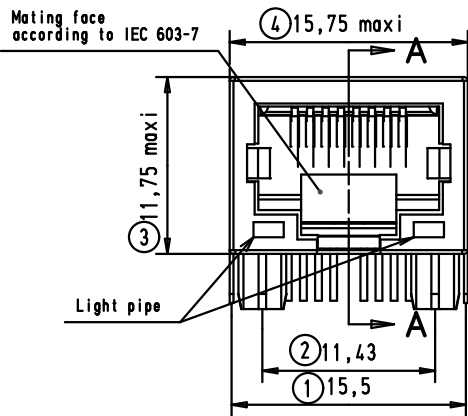
5

4

3

2

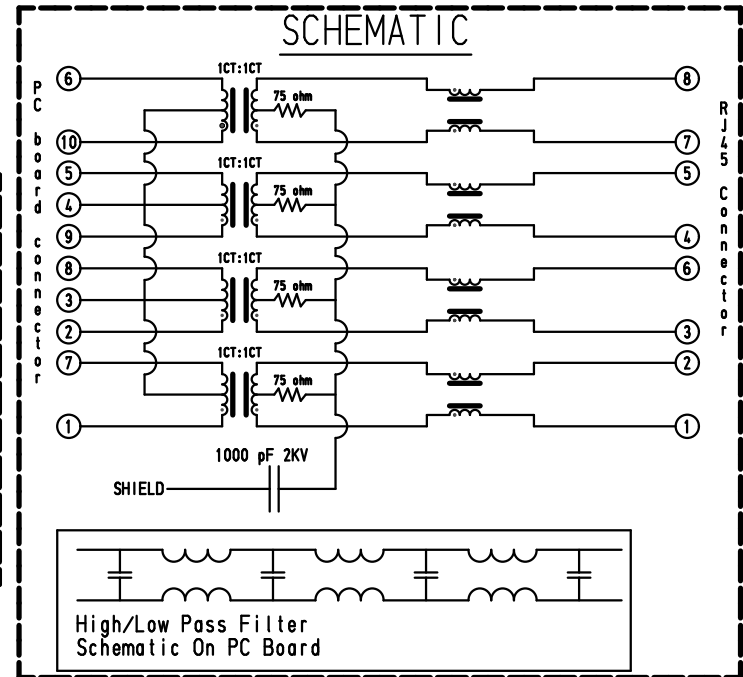
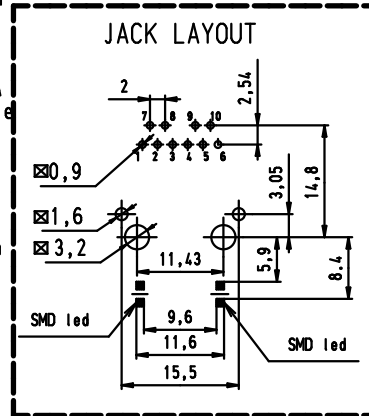
1



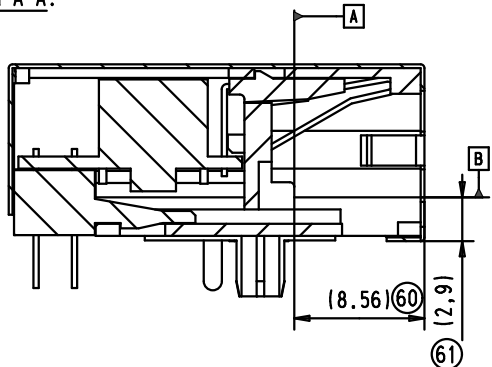
Material:
 Housing and insert material: High Temperature BK UL94V-0
 Shield material: Brass C2680 H. Plating Nickel
 Contact material: Phosphor Bronze t=0.35mm
 Plating contact: gold plating over nickel

Technical data:
 In accordance with IEEE 802.3u & TIA 1096A
 For 1000 base transmission over UTP-5 cable
 Storage: -40°C to 85°C
 Operation: -25°C to 70°C
 Operating lifetime: 750 cycles min

Packaging:
 56 pieces per tray and 13 trays per carton



SECTION A-A:

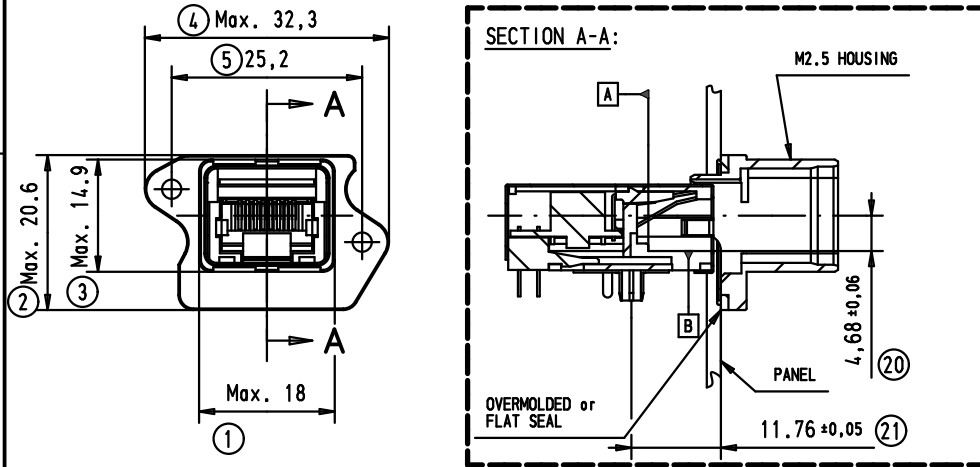


All Dimensions in mm Original Size DIN A 4			Techn. Character.			Nicht tolerierte Maßel/Free size tolerances			
			Dat.	Name	Maßstab/Scale 2:1	HARTING RJ Industrial® RJ45 jack with transformer for 1 Gbit			
			Detail.	24/06/11					AB
			Insp.	24/06/11					JMV
36317	16/01/12	AB	Stand.			TB 09 45 551 1530 Sub.			
EC04225	03/01/12	AB	HARTING EURL F-95972 Paris						
EC03526	11/07/11	AB							
Mod.	Dat.	Name				Blatt/ page 1/4			

MOUNTING INSTRUCTIONS FOR HARTING PUSHPULL
COMPACT RECEPTACLE HOUSING

PN: 09 45 545 0023

PN: 09 45 545 0033

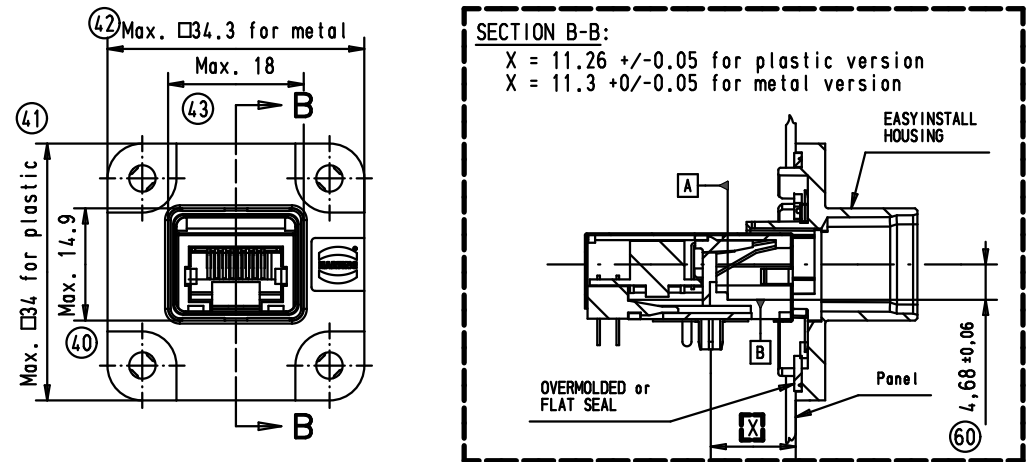


Receptacle mating side according to
IEC 61076-3-106 variant 4

MOUNTING INSTRUCTIONS FOR HARTING PUSHPULL
EASYINSTALL RECEPTACLE HOUSINGS

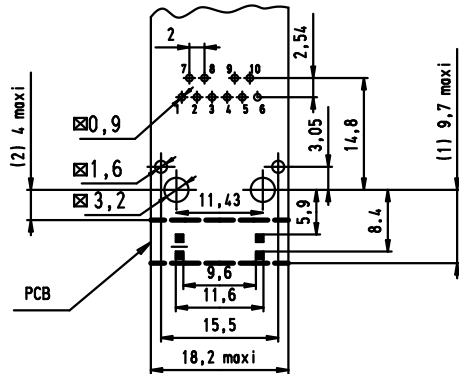
PN: 09 45 545 0030

PN: 09 45 595 0030



Receptacle mating side according to
IEC 61076-3-106 variant 4

PCB LAYOUT



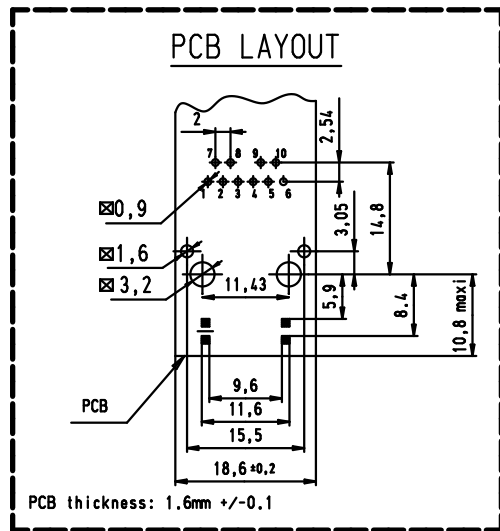
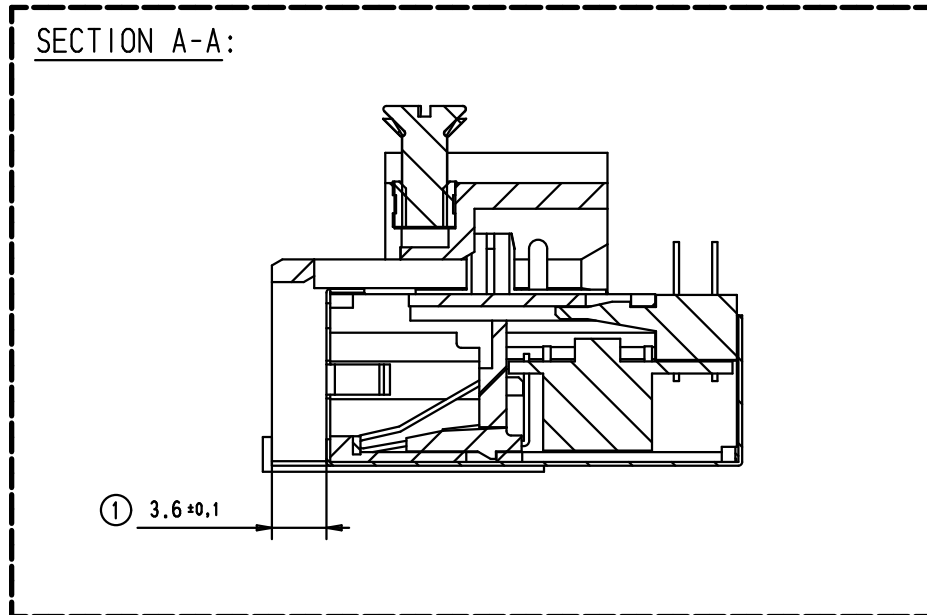
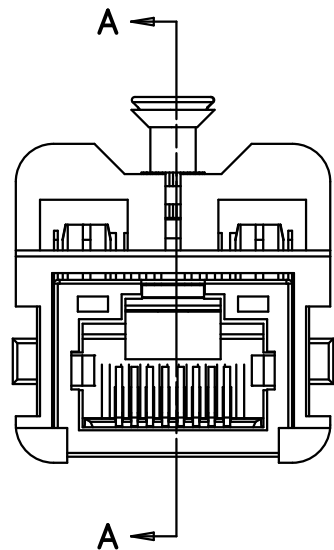
PCB thickness: 1.6mm +/-0.1

(1) maxi PCB front side position if SMD LED used
if LED used, maxi panel thickness for Pushpull compact
receptacle housing, is 1.5mm

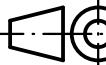

(2) maxi PCB front side position if SMD led NOT used

All Dimensions in mm Original Size DIN A 4		Techn. Character.			Nicht tolerierte Maßel/Free size tolerances	
		Dat.	Name	Maßstab/Scale 1:1	HARTING RJ Industrial® RJ45 jack with transformer for 1 Gbit	
		Detail.	AB			
		Insp.	JMV			
36317	16/01/12	AB	Stand.		TB 09 45 551 1530	
EC04225	03/01/12	AB	HARTING EURL			
EC03526	11/07/11	AB	F-95972 Paris			
Mod.	Dat.	Name			Sub.	Blatt/ page 2/4

MOUNTING INSTRUCTION FOR HAN 3A RJ45 HOUSING WITH HAN 3A ADAPTER WITHOUT FIXING CLIPS 09 45 515 0022



Receptacle mating side according to
IEC 61076-3-106 variant 5

 All Dimensions in mm Original Size DIN A 4		Techn. Character.			Nicht tolerierte Maße/Free size tolerances	
			Dat.	Name	2:1	HARTING RJ Industrial® RJ45 jack with transformer for 1 Gbit
		Detail.	24/06/11	AB		
		Insp.	24/06/11	JMV		
36317	16/01/12	AB	Stand.			
EC04225	03/01/12	AB	HARTING EURL F-95972 Paris			TB 09 45 551 1530
EC03526	11/07/11	AB				
Mod.	Dat.	Name				Blatt/ page 3/4
						Sub.

5

4

3

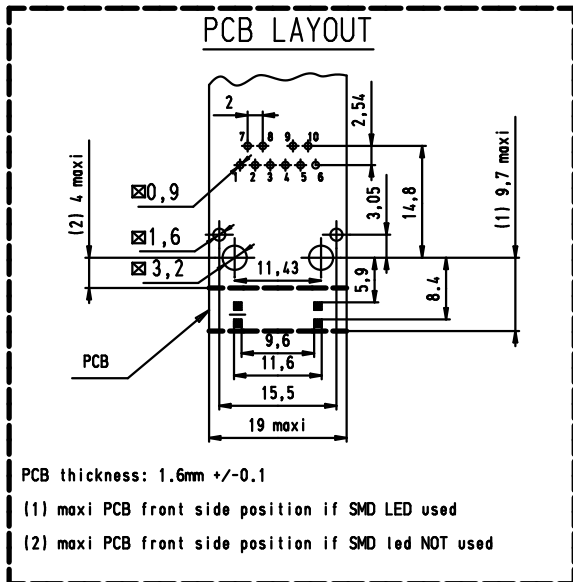
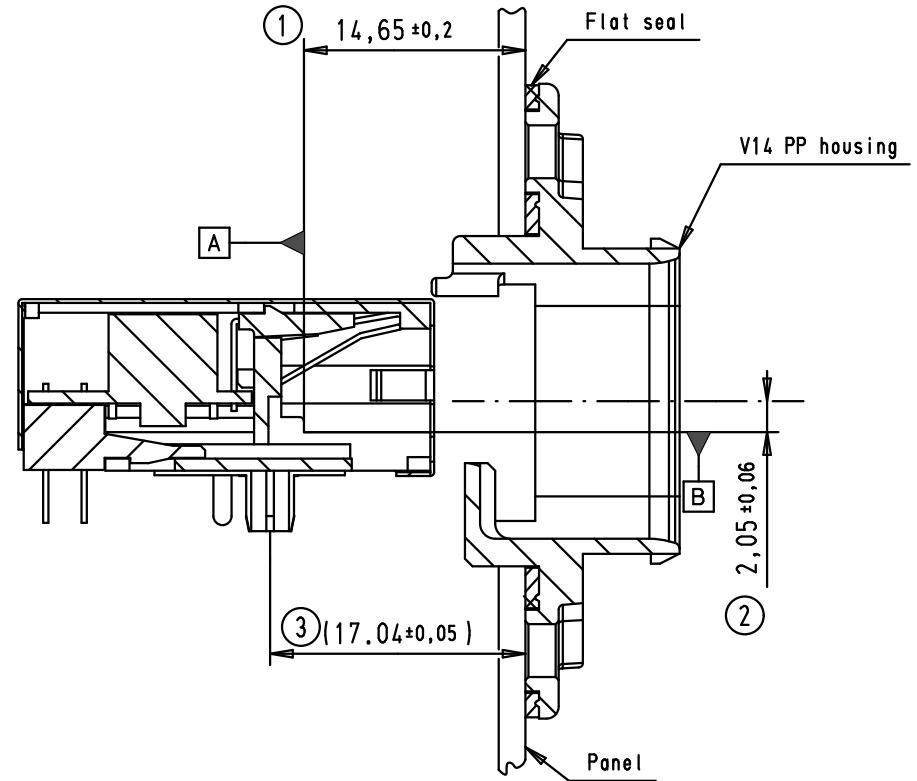
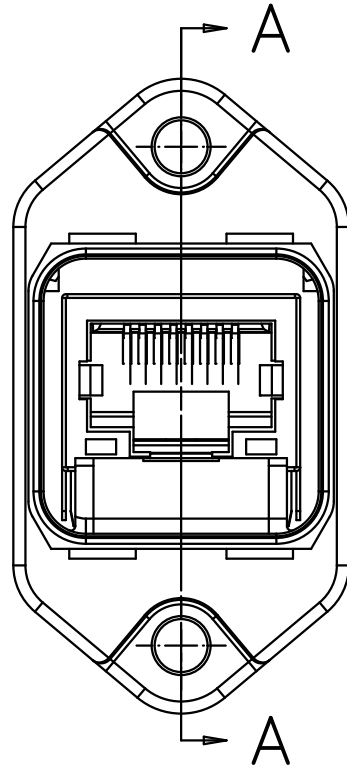
2

1

MOUNTING INSTRUCTION FOR HAN PUSH/PULL RJ45 HOUSING

09 35 002 0301

Receptacle mating side according to
DIN EN 61076-3-117



All Dimensions in mm Original Size DIN A 4			Techn. Character.		Nicht tolerierte Maßel/Free size tolerances		
			Dat.	Name	2:1	HARTING RJ Industrial® RJ45 jack with transformer for 1 Gbit	
			Detail.	24/06/11			AB
			Insp.	24/06/11			JMV
			Stand.				
36317	16/01/12	AB	HARTING EURL			TB 09 45 551 1530	
EC04225	03/01/12	AB	F-95972 Paris				
EC03526	11/07/11	AB					
Mod.	Dat.	Name				Blatt/ page 4 / 4	
						Sub.	