



Chipsmall Limited consists of a professional team with an average of over 10 year of expertise in the distribution of electronic components. Based in Hongkong, we have already established firm and mutual-benefit business relationships with customers from,Europe,America and south Asia,supplying obsolete and hard-to-find components to meet their specific needs.

With the principle of “Quality Parts,Customers Priority,Honest Operation,and Considerate Service”,our business mainly focus on the distribution of electronic components. Line cards we deal with include Microchip,ALPS,ROHM,Xilinx,Pulse,ON,Everlight and Freescale. Main products comprise IC,Modules,Potentiometer,IC Socket,Relay,Connector.Our parts cover such applications as commercial,industrial, and automotives areas.

We are looking forward to setting up business relationship with you and hope to provide you with the best service and solution. Let us make a better world for our industry!



## Contact us

Tel: +86-755-8981 8866 Fax: +86-755-8427 6832

Email & Skype: info@chipsmall.com Web: www.chipsmall.com

Address: A1208, Overseas Decoration Building, #122 Zhenhua RD., Futian, Shenzhen, China



10 9 8 7 6 5 4 3 2 1

F

E

D

C

B

A

F

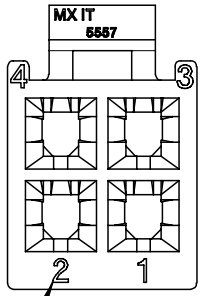
E

D

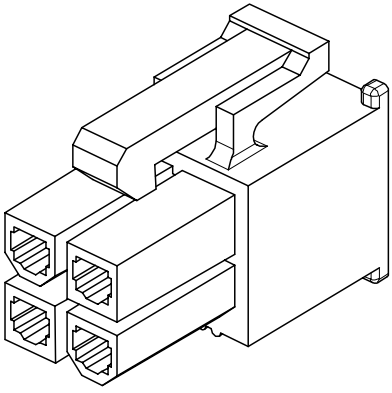
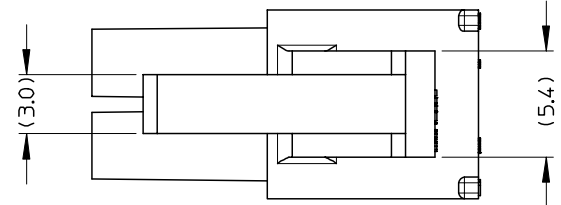
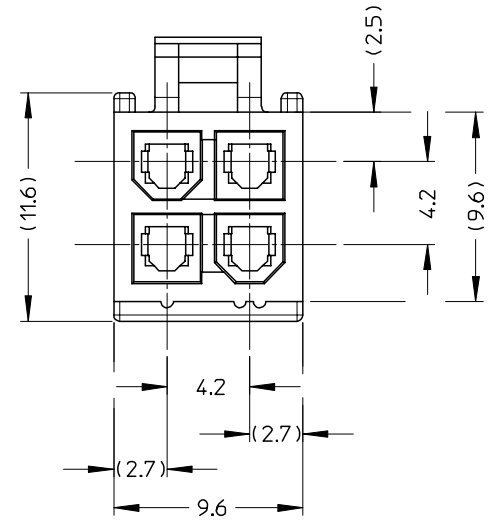
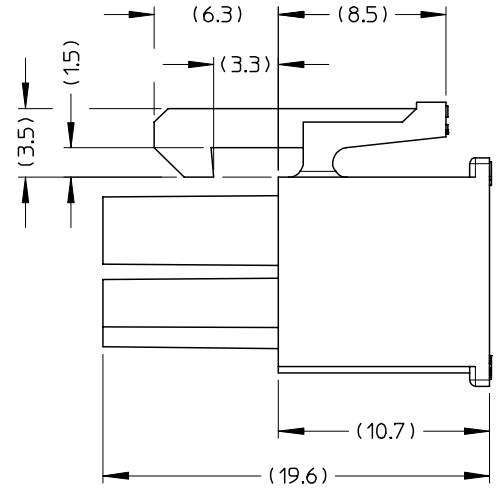
C

B

A



CIRCUIT NO.



- NOTES:
- 1) MATERIAL: PA46 UL 94 V2
  - 2) COLOR: BLACK
  - 3) ACCEPTS TERMINALS 5556 SERIES
  - 4) MATES WITH 5559, 5566, 5569, 501566 SERIES
  - 5) REFERENCE SPECIFICATION: PS-5557-003
  - 6) THE HOUSING SHALL WITHSTAND 1000 HOURS @ 105°C WITHOUT LOSING ITS FUNCTIONALITY
  - 7) DIMENSIONS BETWEEN BRACKETS ARE FOR REFERENCE ONLY
  - 8) PACKAGING: PLASTIC BAGS IN CARTON BOXES (S.P.Q.: 10000 PCS/BOX)

STD. DESCR.: HOUSING 4 CKT

|   |                              |                               |  |               |                            |                         |   |   |                        |                              |                     |  |
|---|------------------------------|-------------------------------|--|---------------|----------------------------|-------------------------|---|---|------------------------|------------------------------|---------------------|--|
| EC NO: Z2006-0108<br>DRWN:SBARBIER 2006/02/13<br>CHKD:RSANDANO 2006/02/13<br>APPR:FBISELLO 2006/02/13 | DESCRIPTION<br>HOUSING 4 CKT | QUALITY SYMBOLS<br>▽=0<br>◻=0 | GENERAL TOLERANCES (UNLESS SPECIFIED)                |               | DIMENSION STYLE<br>MM ONLY |                         | SCALE<br>4:1  | DESIGN UNITS<br>METRIC  | FIRST ANGLE PROJECTION |                              |                     |  |
|   |                              |                               |  | mm            | INCH                       | DRAWN BY<br>SBARBIER    | DATE<br>2005/12/20  | TITLE<br>MINI-FIT RECEPTACLE<br>4 CKT<br>FOR HIGH TEMPERATURE<br>MOLEX INCORPORATED |                        |                              |                     |  |
|   |                              |                               | 4 PLACES   | ± ---         | ± ---                      | CHECKED BY<br>RSANDANO  | DATE<br>2005/12/20  |   |                        |                              |                     |  |
|   |                              |                               | 3 PLACES   | ± ---         | ± ---                      | APPROVED BY<br>FBISELLO | DATE<br>2005/12/20  | MATERIAL NO.<br>94557-9004  |                        | DOCUMENT NO.<br>SD-94557-001 | SHEET NO.<br>1 OF 1 |  |
| 2 PLACES  | ± ---                        | ± ---                         | DRAFT WHERE APPLICABLE MUST REMAIN WITHIN DIMENSIONS |               | SIZE<br>A3                 |                         | THIS DRAWING CONTAINS INFORMATION THAT IS PROPRIETARY TO MOLEX INCORPORATED AND SHOULD NOT BE USED WITHOUT WRITTEN PERMISSION |   |                        |                              |                     |  |
| 1 PLACE   | ± 0.2                        | ± ---                         |  |               |                            |                         |   |   |                        |                              |                     |  |
|   |                              |                               |  | ANGULAR ± 3 ° |                            |                         |   |   |                        |                              |                     |  |

9 8 7 6 5 4 3 2 1