



Chipsmall Limited consists of a professional team with an average of over 10 year of expertise in the distribution of electronic components. Based in Hongkong, we have already established firm and mutual-benefit business relationships with customers from,Europe,America and south Asia,supplying obsolete and hard-to-find components to meet their specific needs.

With the principle of “Quality Parts,Customers Priority,Honest Operation,and Considerate Service”,our business mainly focus on the distribution of electronic components. Line cards we deal with include Microchip,ALPS,ROHM,Xilinx,Pulse,ON,Everlight and Freescale. Main products comprise IC,Modules,Potentiometer,IC Socket,Relay,Connector.Our parts cover such applications as commercial,industrial, and automotives areas.

We are looking forward to setting up business relationship with you and hope to provide you with the best service and solution. Let us make a better world for our industry!



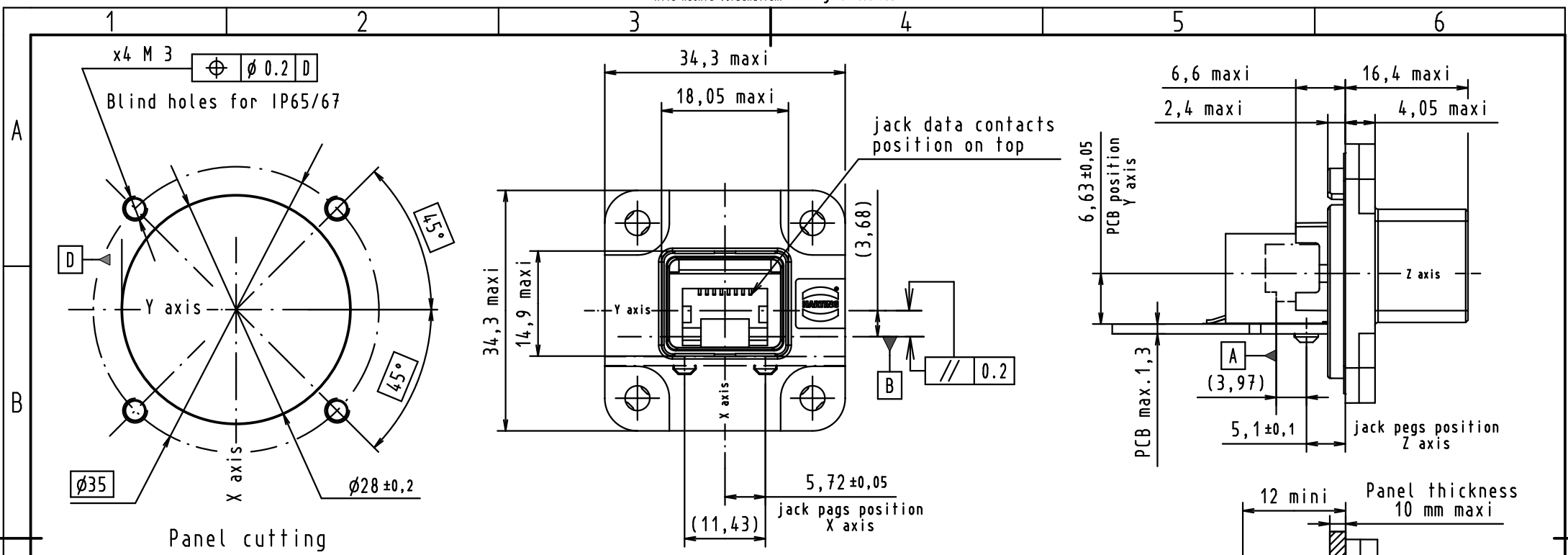
## Contact us

Tel: +86-755-8981 8866 Fax: +86-755-8427 6832

Email & Skype: info@chipsmall.com Web: www.chipsmall.com

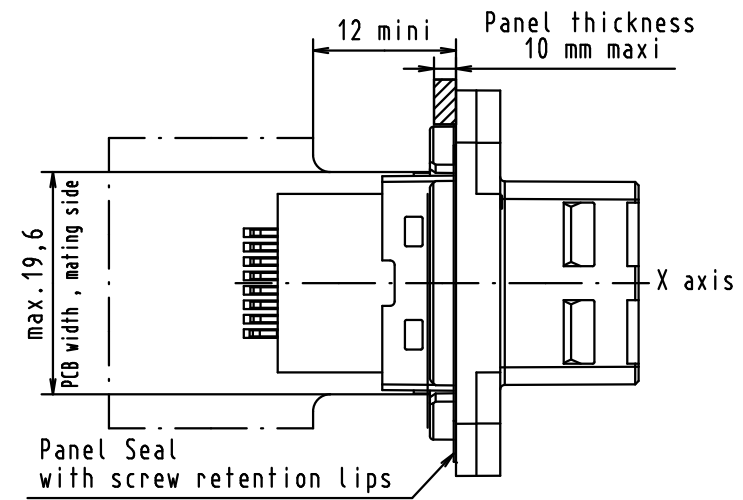
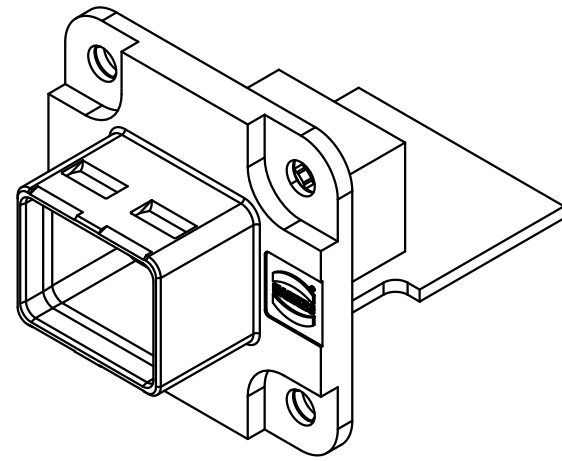
Address: A1208, Overseas Decoration Building, #122 Zhenhua RD., Futian, Shenzhen, China

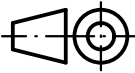





Panel cutting

Connector pitches on panel = 35 mm  
 Receptacle mating face according to IEC 61076-3-106 - variant 04  
 Jack A and B references according to IEC 60603-7  
 Position dimensions for Harting SMD jack P/N 09 45 551 1100/1110  
 PCB Layout see TB 09 45 551 1100  
 Screwing by x4 M3 screws with flat washer  
 Recommended screwing torque for IP67:0,5 N.m mini



				Dat.	Name	 All Dim. in mm Orig. Size DIN A 4	HARTING Push Pull Metal RJ45 EasyInstall IP65/IP67 Panel Feed Through with position dimension of Harting angled SMD jack P/N 09 45 551 1100/1110	Maßstab/ Scale 1,5/1
			Detail.	10/03/10	BD			
			Insp.					
			Stand.					
36071	12/04/10	BD	HARTING EURL F-95972 Paris				TB 09 45 595 0030	Blatt/ Page 1 / 2
Mod.	Dat.	Name					Sub.	