



Chipsmall Limited consists of a professional team with an average of over 10 year of expertise in the distribution of electronic components. Based in Hongkong, we have already established firm and mutual-benefit business relationships with customers from,Europe,America and south Asia,supplying obsolete and hard-to-find components to meet their specific needs.

With the principle of "Quality Parts,Customers Priority,Honest Operation,and Considerate Service",our business mainly focus on the distribution of electronic components. Line cards we deal with include Microchip,ALPS,ROHM,Xilinx,Pulse,ON,Everlight and Freescale. Main products comprise IC,Modules,Potentiometer,IC Socket,Relay,Connector.Our parts cover such applications as commercial,industrial, and automotives areas.

We are looking forward to setting up business relationship with you and hope to provide you with the best service and solution. Let us make a better world for our industry!



Contact us

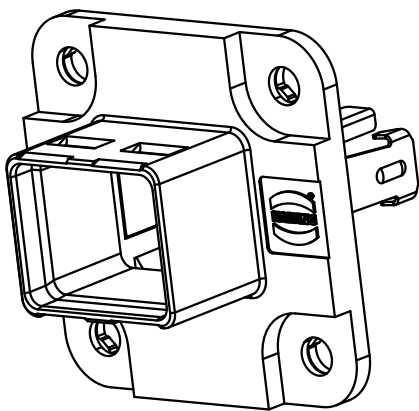
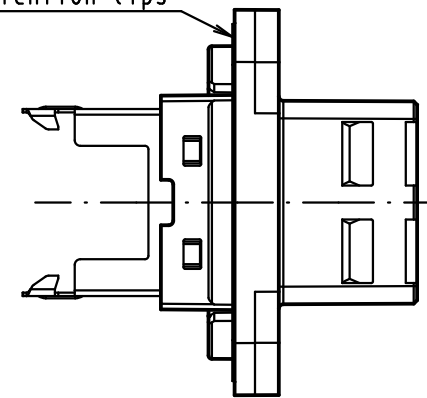
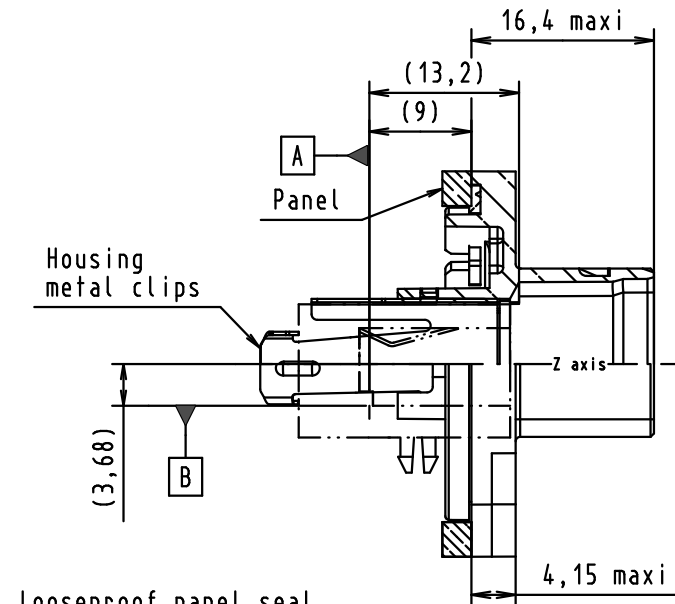
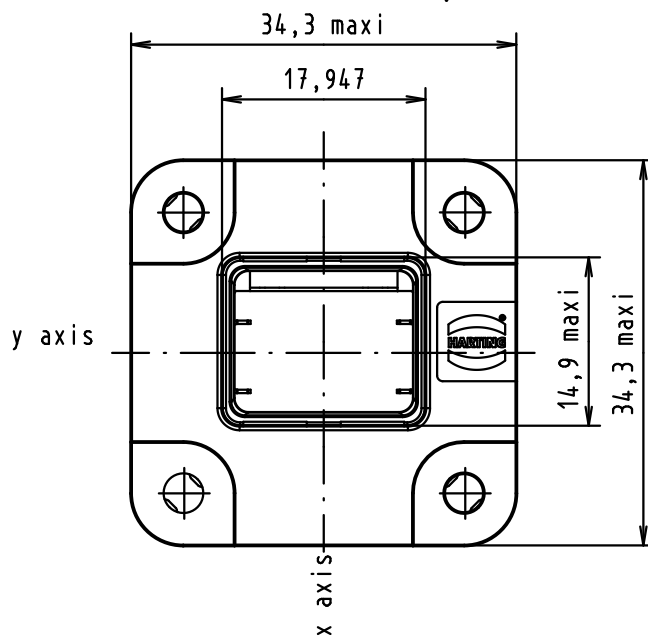
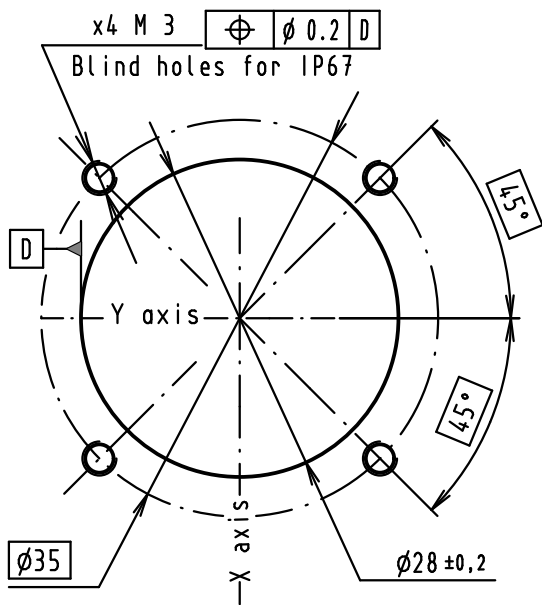
Tel: +86-755-8981 8866 Fax: +86-755-8427 6832

Email & Skype: info@chipsmall.com Web: www.chipsmall.com

Address: A1208, Overseas Decoration Building, #122 Zhenhua RD., Futian, Shenzhen, China



Panel cutting



Connector pitch on panel = 35 mm
 Receptacle mating face acc. to
 IEC 61076-3-106 - variant 04

A, B jack references according to
 IEC 60603-7

Screwing by x4 M3 screws with flat washer
 Recommended screwing torque for IP67=0.5 N.m mini

				Det.	Name	<p>All Dim. in mm Orig. Size DIN A 3</p>	HARTING PushPull Metal EasyInstall IP65/67 housing with fixing clip for RJ45 jacks	Maßstab/ Scale
			Detail.	12/02/09	BD			1,5:1
			Insp.	06/04/11	JMV			
36421	05/04/11	BD	Stand.					
36070	12/04/10	BD	HARTING EURL F-95972 Paris				TB 09 45 595 0031	Blatt/ Page
35643	12/02/09	BD						1 / 1
Mod.	Det.	Name					Sub.	