



Chipsmall Limited consists of a professional team with an average of over 10 year of expertise in the distribution of electronic components. Based in Hongkong, we have already established firm and mutual-benefit business relationships with customers from,Europe,America and south Asia,supplying obsolete and hard-to-find components to meet their specific needs.

With the principle of “Quality Parts,Customers Priority,Honest Operation,and Considerate Service”,our business mainly focus on the distribution of electronic components. Line cards we deal with include Microchip,ALPS,ROHM,Xilinx,Pulse,ON,Everlight and Freescale. Main products comprise IC,Modules,Potentiometer,IC Socket,Relay,Connector.Our parts cover such applications as commercial,industrial, and automotives areas.

We are looking forward to setting up business relationship with you and hope to provide you with the best service and solution. Let us make a better world for our industry!



## Contact us

Tel: +86-755-8981 8866 Fax: +86-755-8427 6832

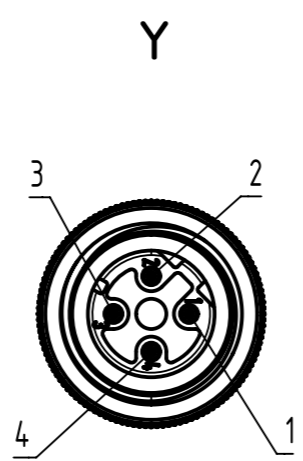
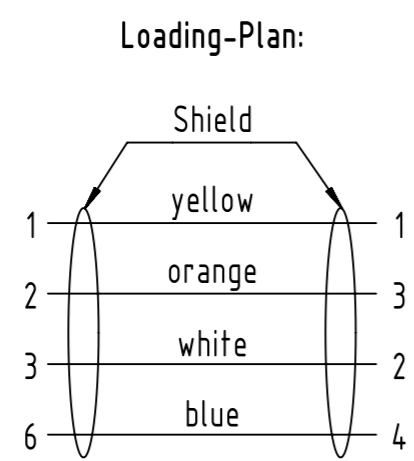
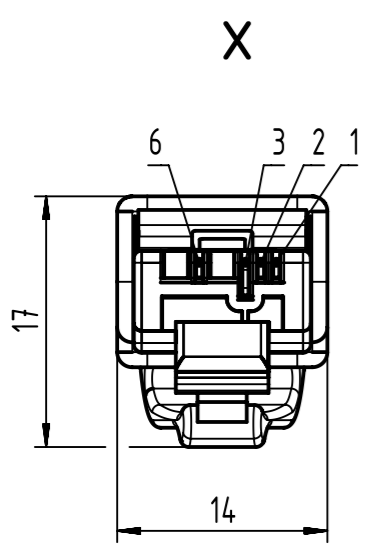
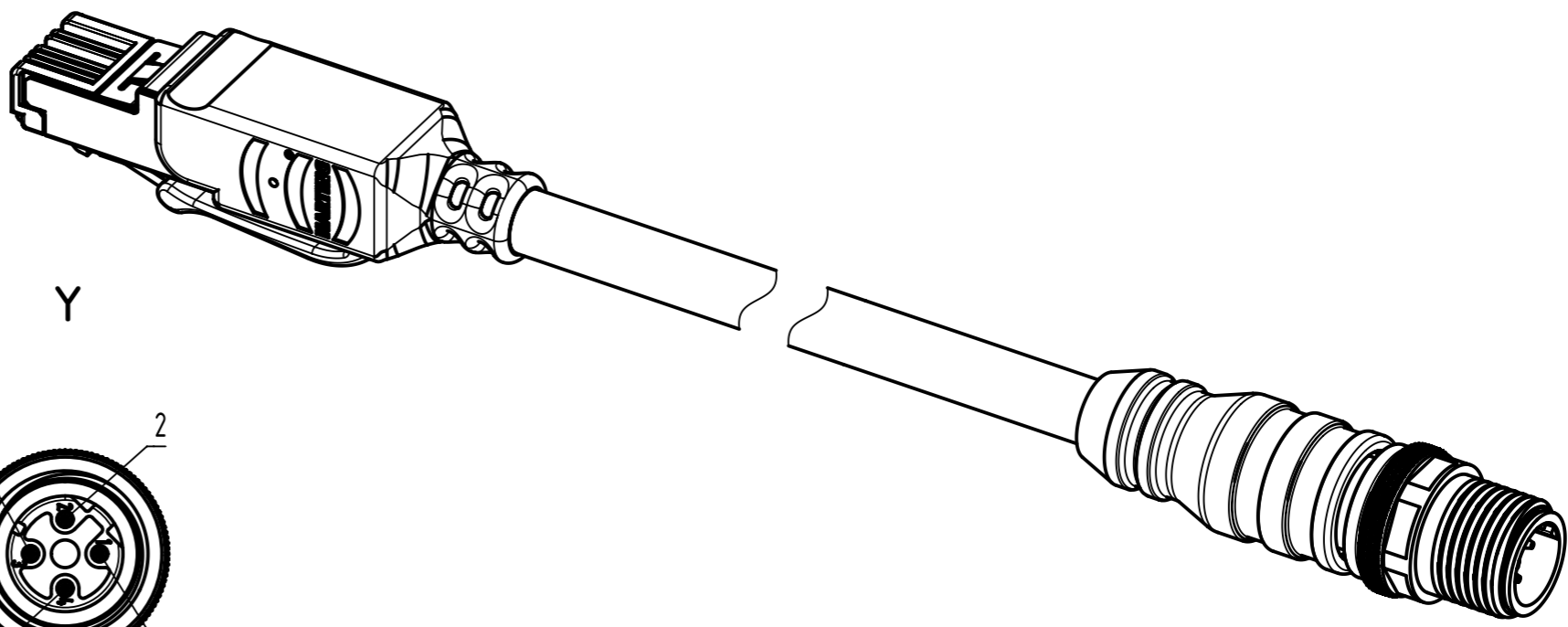
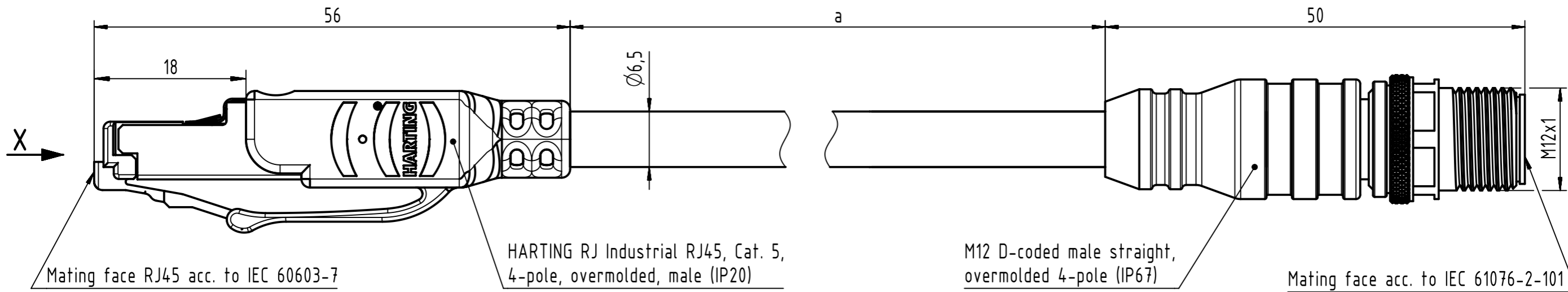
Email & Skype: info@chipsmall.com Web: www.chipsmall.com

Address: A1208, Overseas Decoration Building, #122 Zhenhua RD., Futian, Shenzhen, China




Connector Location A

Connector Location B



- Temperature range: -30°C ... +70°C

	All rights reserved		Created by MUNTEANV		Inspected by COSTEA		Standardisation AVRAM		Date 2017-07-10		State Final Release	
	Department HCS - RO		Title M12 D-coded Cable Assembly		Doc-Key / ECM-Nr. 100081060/UGD/044/E 500000121959		Rev. E		Page 1/2			
HARTING Customised Solutions		Type TB		Number 09457005XXX								
D-32427 Minden												

	1	2	3	4	5	6	7	8
A								
B	44	09457005070	RJl Ethernet stranded cable, AWG 22/7, 2x2x0.75, outdoor, PVC, Cat. 5+, black	7	83	09457005183	RJl Ethernet stranded cable, 4xAWG22/7, PVC, Cat. 5+, green	100
	43	09457005069		6	82	09457005182		90
	42	09457005090		5.5	81	09457005181		80
	41	09457005068		5	80	09457005180		70
	40	09457005089		4.1	79	09457005179		60
	39	09457005067		4	78	09457005178		50
	38	09457005088		3.6	77	09457005177		40
	37	09457005066		3	76	09457005176		30
	36	09457005084		2.8	75	09457005185		25
	35	09457005065		2	74	09457005175		20
	34	09457005064		1.5	73	09457005174		15
	33	09457005087		1.4	72	09457005173		10
	32	09457005086		1.3	71	09457005172		9
	31	09457005063		1	70	09457005171		8
	30	09457005062		0.5	69	09457005170		7
C	29	09457005061		100	68	09457005169		6
	28	09457005060		90	67	09457005168		5
	27	09457005059		80	66	09457005167		4
	26	09457005058	70	65	09457005166	3		
	25	09457005057	60	64	09457005165	2		
	24	09457005056	50	63	09457005164	1.5		
	23	09457005055	40	62	09457005163	1		
	22	09457005085	35	61	09457005162	0.5		
D	21	09457005054	30	60	09457005083	100		
	20	09457005033	25	59	09457005082	90		
	19	09457005053	20	58	09457005081	80		
	18	09457005091	17	57	09457005080	70		
	17	09457005052	15	56	09457005079	60		
	16	09457005095	14	55	09457005078	50		
	15	09457005034	12.5	54	09457005077	40		
	14	09457005051	10	53	09457005094	35		
	13	09457005031	9	52	09457005093	31		
	12	09457005030	8	51	09457005076	30		
	11	09457005029	7	50	09457005092	25		
	10	09457005028	6	49	09457005075	20		
	9	09457005027	5	48	09457005074	15		
	8	09457005026	4	47	09457005073	10		
	7	09457005025	3	46	09457005072	9		
	6	09457005032	2.5	45	09457005071	8		
	5	09457005024	2	<b>Cont. no.</b>	<b>Part no.</b>	<b>Type of cable</b>	<b>Dim. a[m]</b>	
	4	09457005023	1.5	 All rights reserved Department HCS - RO				
	3	09457005022	1					
	2	09457005021	0.5	HARTING Customised Solutions D-32427 Minden				
	1	09457005020	0.2					
F	<b>Cont. no.</b>	<b>Part no.</b>	<b>Type of cable</b>	<b>Dim. a[m]</b>	Tech. Character. Free size tol. According to production drawing		Created by MUNTEANV Inspected by COSTEA Standardisation AVRAM Date 2017-07-10 State Final Release	
					Title M12 D-coded Cable Assembly		Doc-Key / ECM-Nr. 100081060/UGD/044/E 500000121959	
					Type TB	Number 09457005XXX	Rev. E	Page 2/2