



Chipsmall Limited consists of a professional team with an average of over 10 year of expertise in the distribution of electronic components. Based in Hongkong, we have already established firm and mutual-benefit business relationships with customers from,Europe,America and south Asia,supplying obsolete and hard-to-find components to meet their specific needs.

With the principle of “Quality Parts,Customers Priority,Honest Operation,and Considerate Service”,our business mainly focus on the distribution of electronic components. Line cards we deal with include Microchip,ALPS,ROHM,Xilinx,Pulse,ON,Everlight and Freescale. Main products comprise IC,Modules,Potentiometer,IC Socket,Relay,Connector.Our parts cover such applications as commercial,industrial, and automotives areas.

We are looking forward to setting up business relationship with you and hope to provide you with the best service and solution. Let us make a better world for our industry!



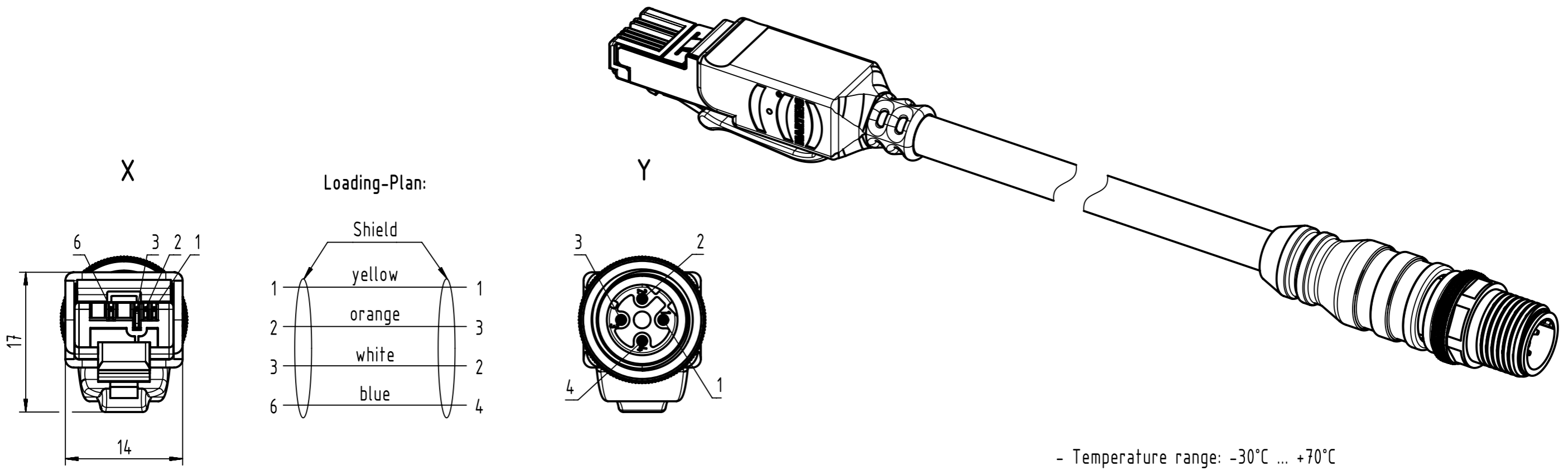
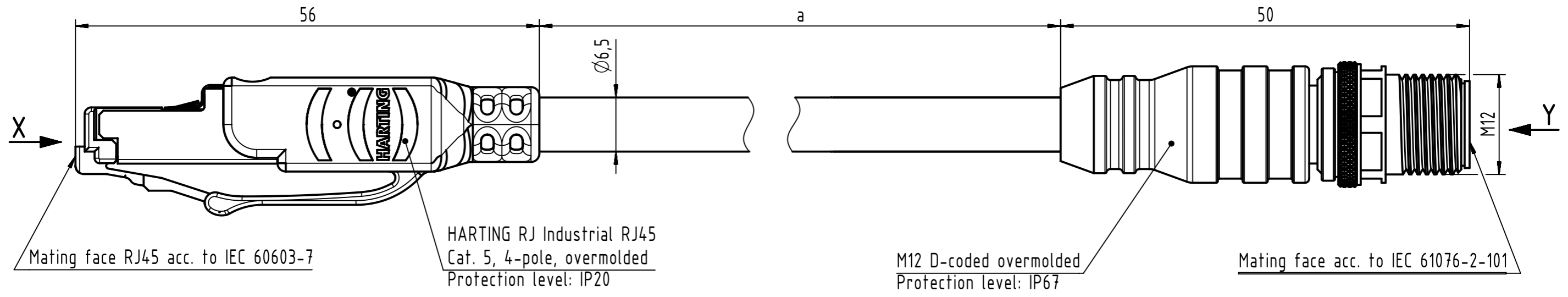
## Contact us

Tel: +86-755-8981 8866 Fax: +86-755-8427 6832

Email & Skype: info@chipsmall.com Web: www.chipsmall.com

Address: A1208, Overseas Decoration Building, #122 Zhenhua RD., Futian, Shenzhen, China





	All rights reserved		Created by		Inspected by		Standardisation		Date		State		
	Department EC PD - RO		MUNTEANV		AVRAM		HOFFMANN		2015-03-30		Final Release		
HARTING Electronics GmbH		Title						Doc-Key / ECM-Nr.		Rev.		Page	
D-32339 Espelkamp		M12 D-coded Cable Assembly						100081060/UGD/044/C		C		1/2	
		Type		Number									
		TB		09457005XXX									

	1	2	3	4	5	6	7	8
A								
B	43	09457005070	RJI Ethernet stranded cable, AWG 22/7, 2x2x0.75, outdoor, PVC, Cat. 5+, black	7	81	09457005183	RJI Ethernet stranded cable, 4xAWG22/7, PVC, Cat. 5+, green	100
	42	09457005069		6	80	09457005182		90
	41	09457005090		5.5	79	09457005181		80
	40	09457005068		5	78	09457005180		70
	39	09457005089		4.1	77	09457005179		60
	38	09457005067		4	76	09457005178		50
	37	09457005088		3.6	75	09457005177		40
	36	09457005066		3	74	09457005176		30
	35	09457005084		2.8	73	09457005175		20
	34	09457005065		2	72	09457005174		15
	33	09457005064		1.5	71	09457005173		10
	32	09457005087		1.4	70	09457005172		9
	31	09457005086		1.3	69	09457005171		8
	30	09457005063		1	68	09457005170		7
	29	09457005062		0.5	67	09457005169		6
	28	09457005061		100	66	09457005168		5
	27	09457005060		90	65	09457005167		4
	26	09457005059		80	64	09457005166		3
	25	09457005058		70	63	09457005165		2
	24	09457005057		60	62	09457005164		1.5
	23	09457005056		50	61	09457005163		1
	22	09457005055		40	60	09457005162		0.5
	21	09457005085		35	59	09457005083		100
	20	09457005054		30	58	09457005082		90
	19	09457005033		25	57	09457005081		80
	18	09457005053		20	56	09457005080		70
	17	09457005091		17	55	09457005079		60
	16	09457005052		15	54	09457005078		50
	15	09457005034	12.5	53	09457005077	40		
	14	09457005051	10	52	09457005094	35		
	13	09457005031	9	51	09457005093	31		
	12	09457005030	8	50	09457005076	30		
	11	09457005029	7	49	09457005092	25		
	10	09457005028	6	48	09457005075	20		
	9	09457005027	5	47	09457005074	15		
	8	09457005026	4	46	09457005073	10		
	7	09457005025	3	45	09457005072	9		
	6	09457005032	2.5	44	09457005071	8		
	5	09457005024	2	Cont. no.	Part no.	Type of cable	Dim. a[m]	
	4	09457005023	1.5					
	3	09457005022	1					
	2	09457005021	0.5					
	1	09457005020	0.2					
F								

RJI Ethernet trailing cable,  
AWG22/7, 2x2x0.75, PUR, Cat. 5+, green

RJI Ethernet stranded cable,  
AWG 22/7, 2x2x0.75, outdoor,  
PVC, Cat. 5+, black

	All rights reserved Department EC PD - RO	Created by MUNTEANV	Inspected by AVRAM	Standardisation HOFFMANN	Date 2015-03-30	State Final Release	Ref. Sub.
HARTING Electronics GmbH D-32339 Espelkamp		Title M12 D-coded Cable Assembly		Doc-Key / ECM-Nr. 100081060/UGD/044/C 500000086923		Rev. C	Page 2/2
		Type TB	Number 09457005XXX				