



Chipsmall Limited consists of a professional team with an average of over 10 year of expertise in the distribution of electronic components. Based in Hongkong, we have already established firm and mutual-benefit business relationships with customers from,Europe,America and south Asia,supplying obsolete and hard-to-find components to meet their specific needs.

With the principle of “Quality Parts,Customers Priority,Honest Operation,and Considerate Service”,our business mainly focus on the distribution of electronic components. Line cards we deal with include Microchip,ALPS,ROHM,Xilinx,Pulse,ON,Everlight and Freescale. Main products comprise IC,Modules,Potentiometer,IC Socket,Relay,Connector.Our parts cover such applications as commercial,industrial, and automotives areas.

We are looking forward to setting up business relationship with you and hope to provide you with the best service and solution. Let us make a better world for our industry!



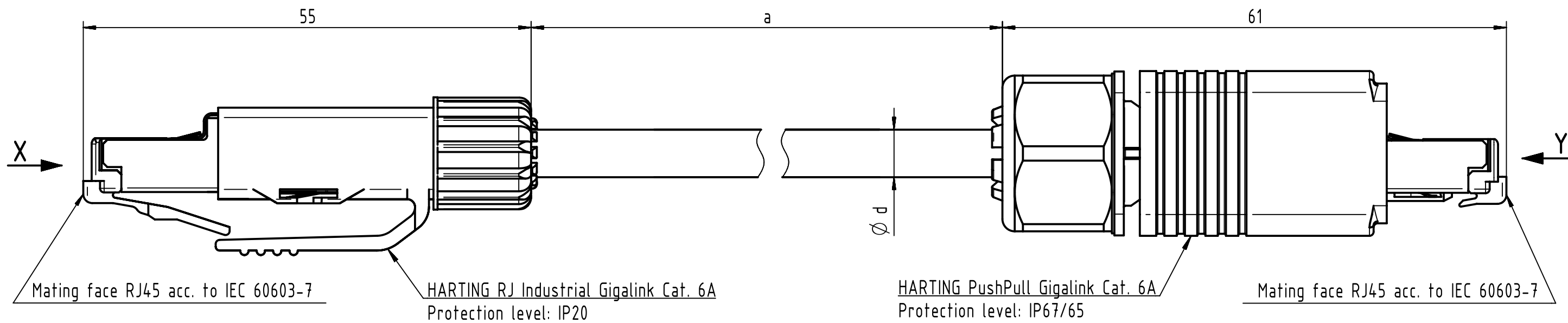
## Contact us

Tel: +86-755-8981 8866 Fax: +86-755-8427 6832

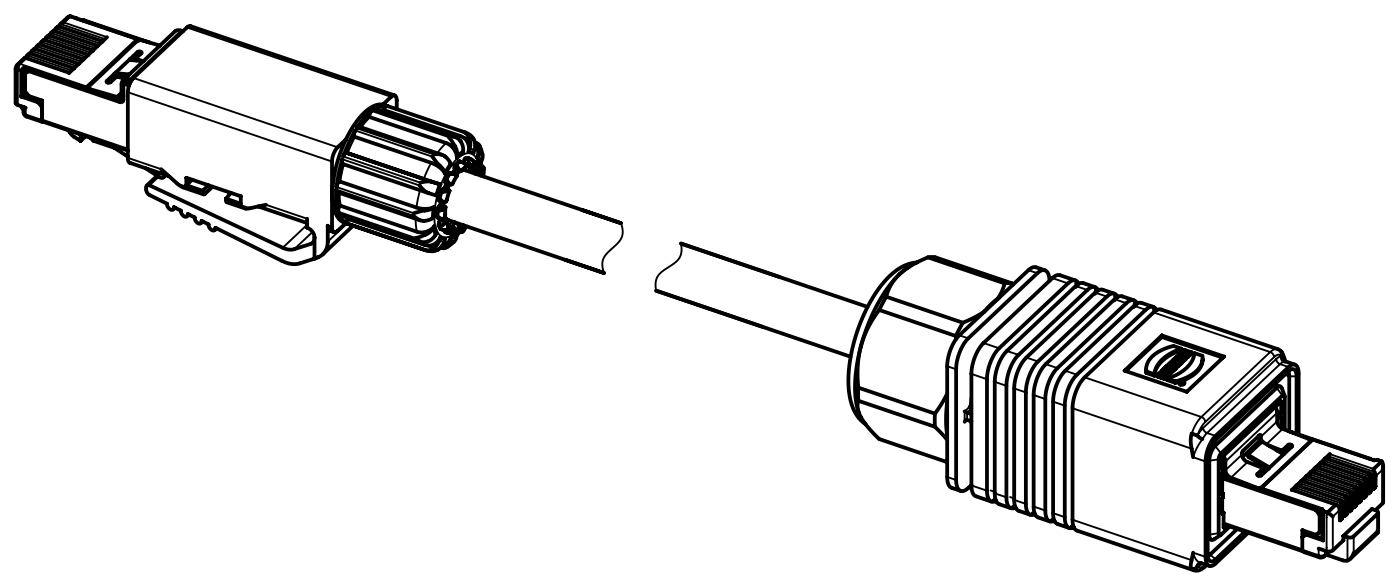
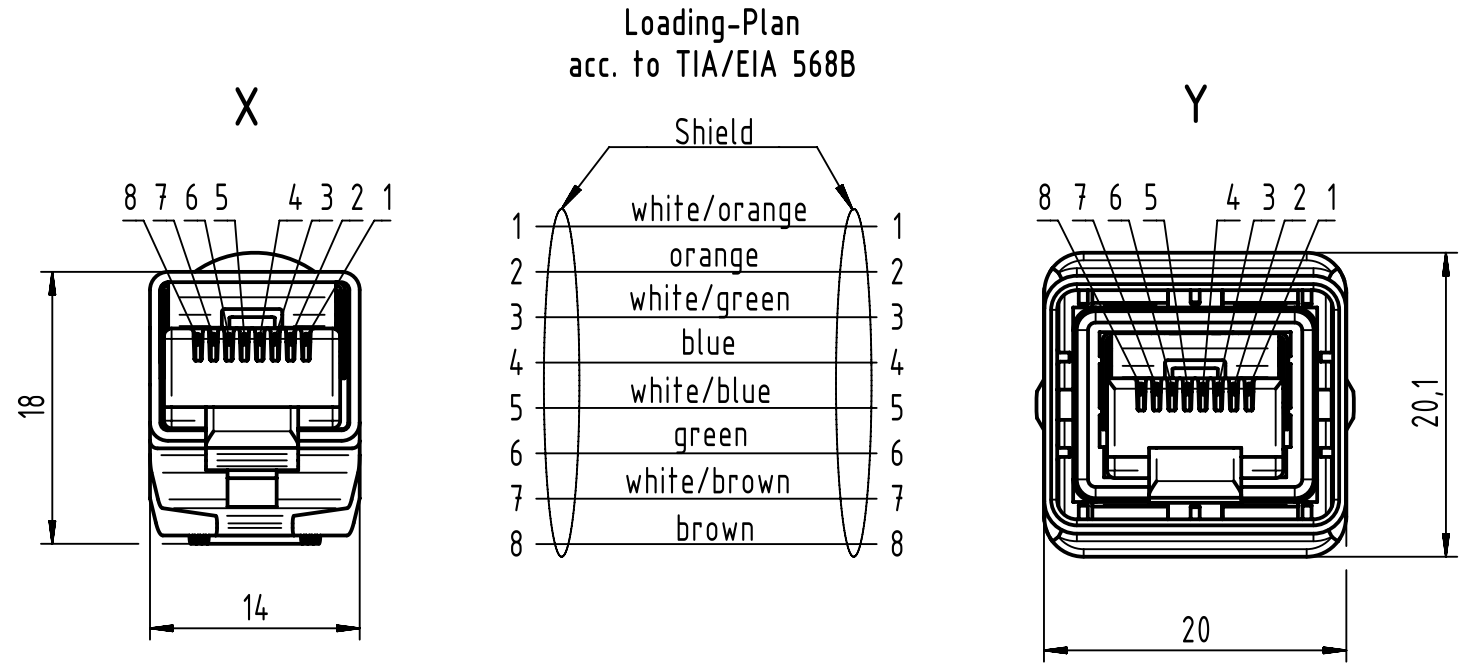
Email & Skype: info@chipsmall.com Web: www.chipsmall.com

Address: A1208, Overseas Decoration Building, #122 Zhenhua RD., Futian, Shenzhen, China






-Temperature range: static condition -20°C ...+70°C



	All rights reserved		Created by		Inspected by		Standardisation		Date		State		
	Department EC PD - RO		MUNTEANV		AVRAM		HOFFMANN		2016-03-04		Final Release		
HARTING Electronics GmbH		Title						Doc-Key / ECM-Nr.		Rev.		Page	
D-32339 Espelkamp		RJ Industrial Cable Assembly						100121364/UGD/011/J		J		1/2	
		Type		Number									
		TB		09457011YYY									

1	2	3	4	5	6	7	8		
A									
B	35	09457011523	RJ45 Ethernet stranded cable, AWG 26/7, 4x2x0.5/1.0, PVC, Cat. 6A, yellow	100	6.6				
	34	09457011525		70					
	33	09457011522		50					
	32	09457011524		30					
	31	09457011521		25					
	30	09457011514		20					
	29	09457011513		15					
	28	09457011512		10					
	27	09457011519		9					
	26	09457011518		8					
	25	09457011517		7					
	24	09457011520		6					
	23	09457011511		5					
	22	09457011516		4					
	21	09457011510		3					
	20	09457011515		2					
	19	09457011509		1.5					
	18	09457011508		1					
	17	09457011507		0.5					
C									
D	16	09457011118	RJ45 Ethernet stranded cable, 4x2xAWG 26/7, outdoor, PVC, Cat. 5, black	50	6.7				
	15	09457011117		35					
	14	09457011116		20					
	13	09457011115		15					
	12	09457011114		10					
	11	09457011113		9					
	10	09457011112		8					
	9	09457011111		7					
	8	09457011110		6					
	7	09457011109		5					
	6	09457011108		4					
	5	09457011107		3					
	4	09457011106		2					
	3	09457011105		1.5					
	2	09457011104		1					
	1	09457011103		0.5					
E									
F	Cont. no.	Part no.		Type of cable		Dim. a[m]	Dim. d[mm]		
	1								

	All rights reserved		Created by		Inspected by		Standardisation		Date		State	
	Department EC PD - RO		MUNTEANV		AVRAM		HOFFMANN		2016-03-04		Final Release	
Title										Doc-Key / ECM-Nr.		
RJ Industrial Cable Assembly										100121364/UGD/011/J		
Type										Rev.		
TB										J		
Number										Page		
09457011YYYY										2/2		

HARTING Electronics GmbH  
D-32339 Espelkamp