



Chipsmall Limited consists of a professional team with an average of over 10 year of expertise in the distribution of electronic components. Based in Hongkong, we have already established firm and mutual-benefit business relationships with customers from,Europe,America and south Asia,supplying obsolete and hard-to-find components to meet their specific needs.

With the principle of "Quality Parts,Customers Priority,Honest Operation,and Considerate Service",our business mainly focus on the distribution of electronic components. Line cards we deal with include Microchip,ALPS,ROHM,Xilinx,Pulse,ON,Everlight and Freescale. Main products comprise IC,Modules,Potentiometer,IC Socket,Relay,Connector.Our parts cover such applications as commercial,industrial, and automotives areas.

We are looking forward to setting up business relationship with you and hope to provide you with the best service and solution. Let us make a better world for our industry!



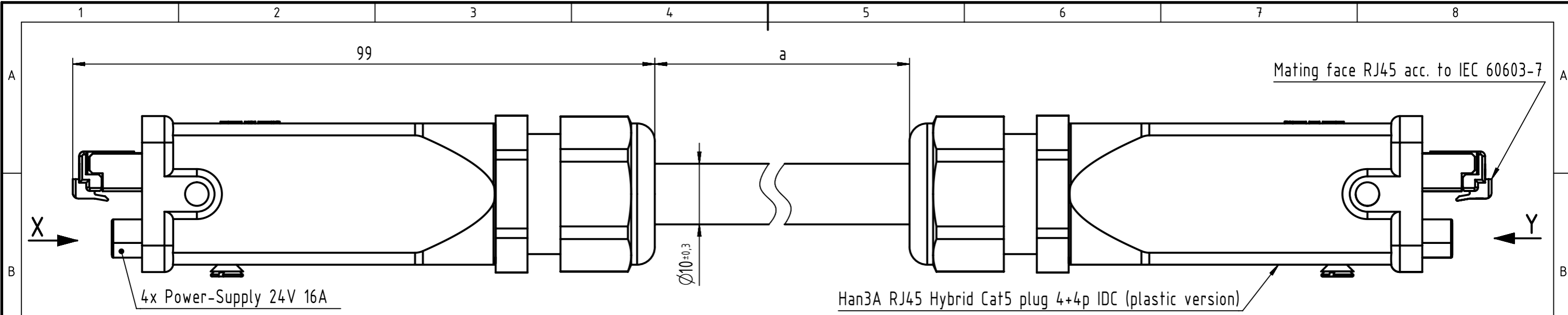
Contact us

Tel: +86-755-8981 8866 Fax: +86-755-8427 6832

Email & Skype: info@chipsmall.com Web: www.chipsmall.com

Address: A1208, Overseas Decoration Building, #122 Zhenhua RD., Futian, Shenzhen, China

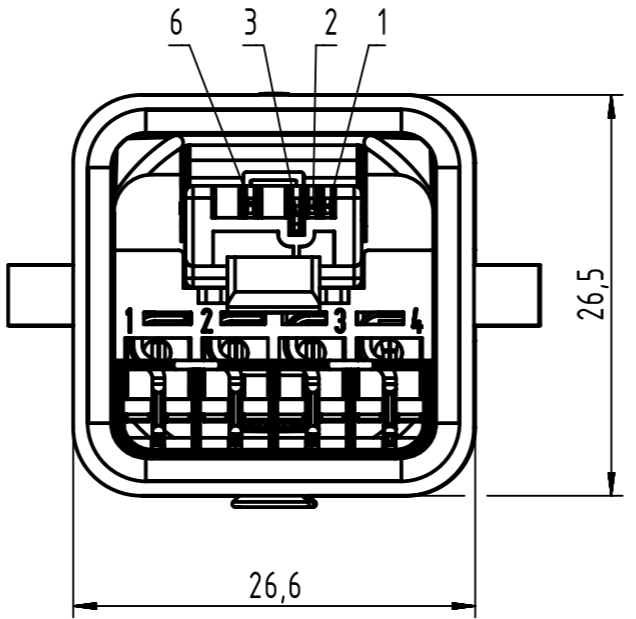
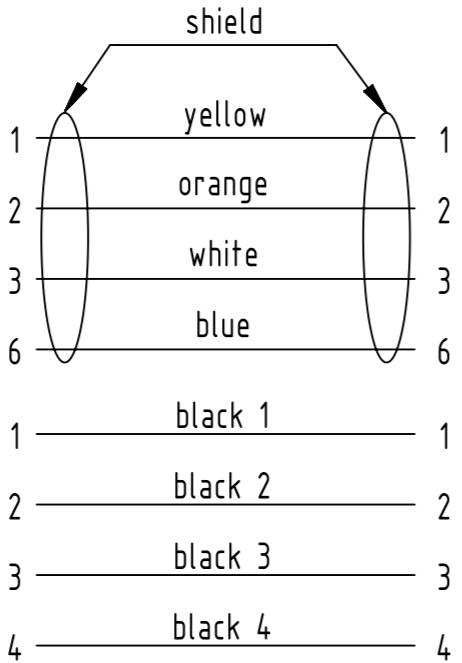
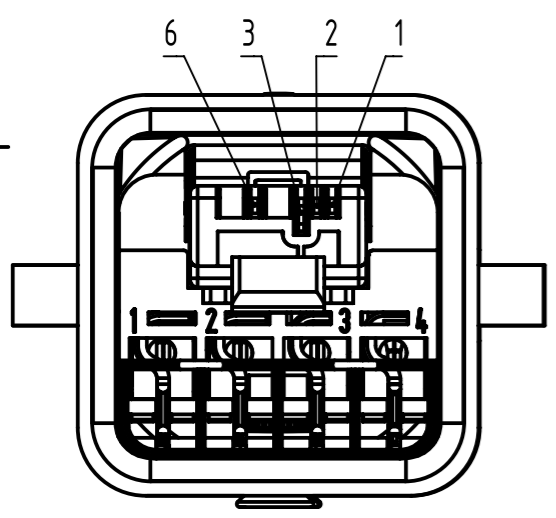




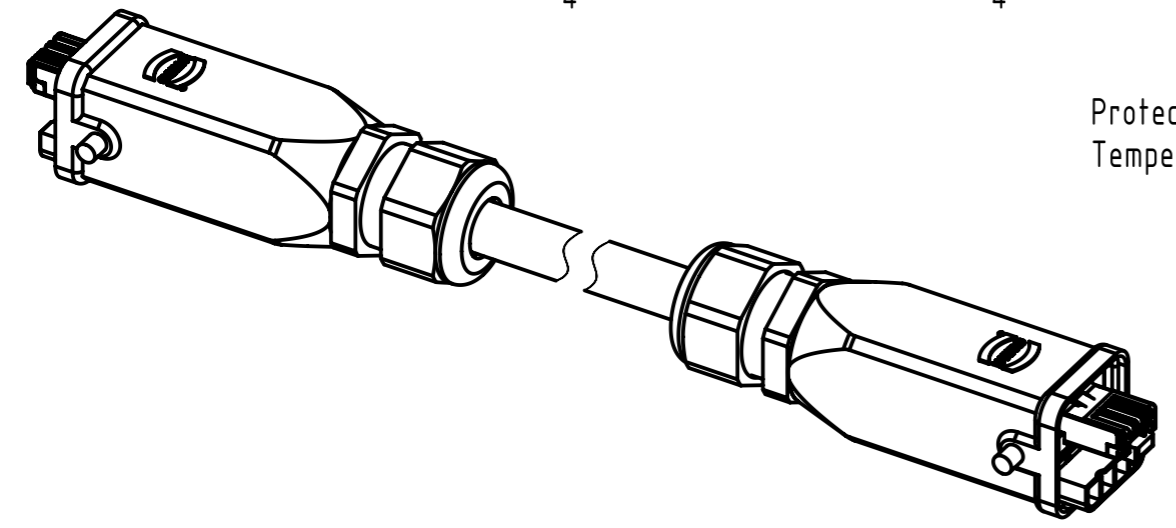
X (2:1)

Loading-Plan:

Y (2:1)



Protection level: IP67
Temperature range: -20°C ...+70°C



25	09457251361	100	
24	09457251360	90	
23	09457251359	80	
22	09457251358	70	
21	09457251357	60	
20	09457251356	50	
19	09457251355	40	
18	09457251354	30	
17	09457251332	25	
16	09457251353	20	
15	09457251352	15	
14	09457251333	12	
13	09457251351	10	
12	09457251331	9	
11	09457251330	8	
10	09457251329	7	
9	09457251328	6	
8	09457251327	5	
7	09457251326	4	
6	09457251325	3	
5	09457251324	2	
4	09457251323	1.5	
3	09457251322	1	
2	09457251362	0.8	
1	09457251321	0.5	
Cont. no	Part-no.	Type of cable	Dim. a [m]

RJ Ethernet Hybrid cable
4AWG 22/7 + 4x1.5mm² Cat. 5, FRNC

All rights reserved Department EC PD - RO		Scale 1:1 Free size tol.	Ref. Sub.
HARTING Electronics GmbH D-32339 Espelkamp		Created by TOMUTA Inspected by AVRAM Standardisation HOFFMANN Date 2014-06-10 State Final Release	Title Han 3A RJ45 Hybrid Cable Assembly Type TB Number 094572513XX Rev. B Page 1/1