



Chipsmall Limited consists of a professional team with an average of over 10 year of expertise in the distribution of electronic components. Based in Hongkong, we have already established firm and mutual-benefit business relationships with customers from,Europe,America and south Asia,supplying obsolete and hard-to-find components to meet their specific needs.

With the principle of “Quality Parts,Customers Priority,Honest Operation,and Considerate Service”,our business mainly focus on the distribution of electronic components. Line cards we deal with include Microchip,ALPS,ROHM,Xilinx,Pulse,ON,Everlight and Freescale. Main products comprise IC,Modules,Potentiometer,IC Socket,Relay,Connector.Our parts cover such applications as commercial,industrial, and automotives areas.

We are looking forward to setting up business relationship with you and hope to provide you with the best service and solution. Let us make a better world for our industry!



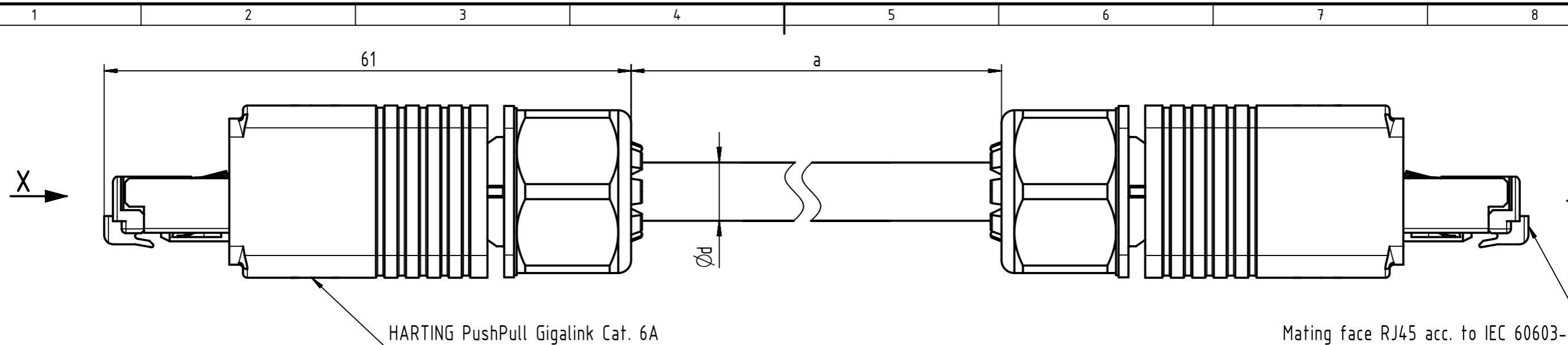
Contact us

Tel: +86-755-8981 8866 Fax: +86-755-8427 6832

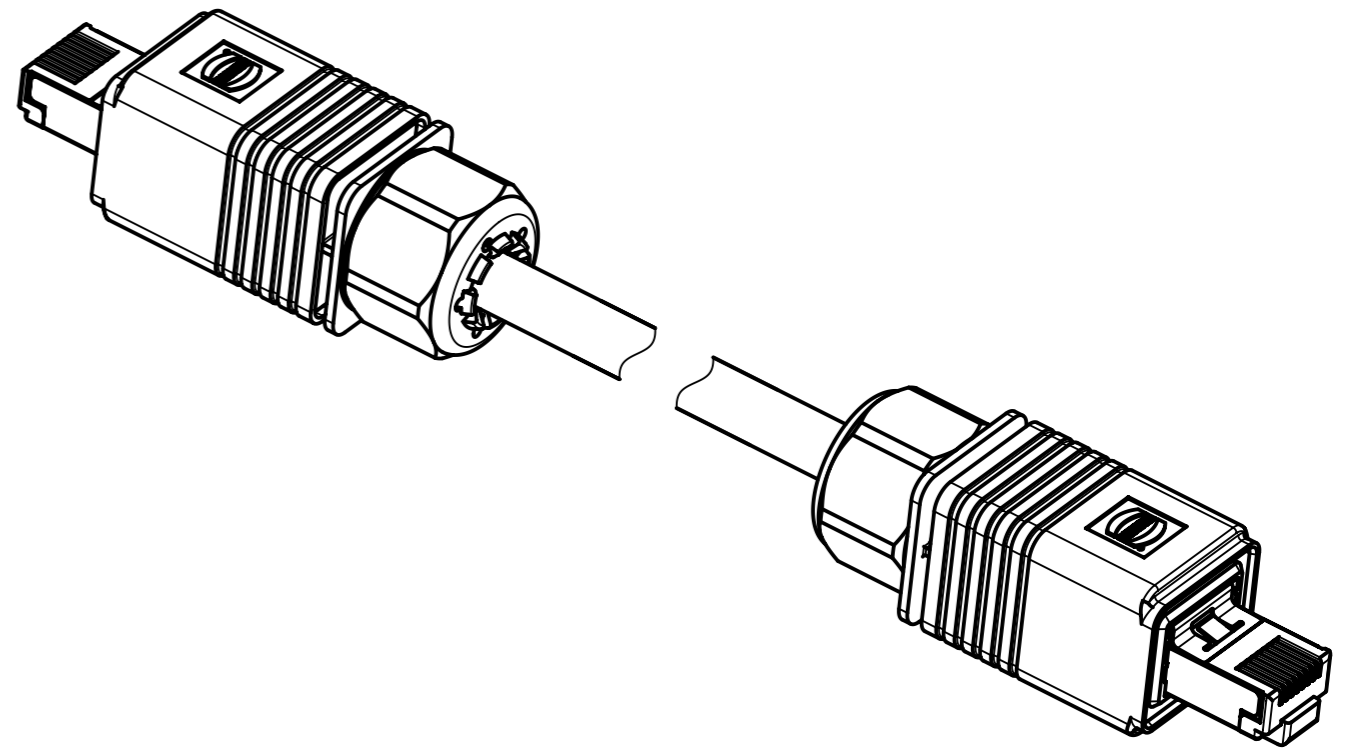
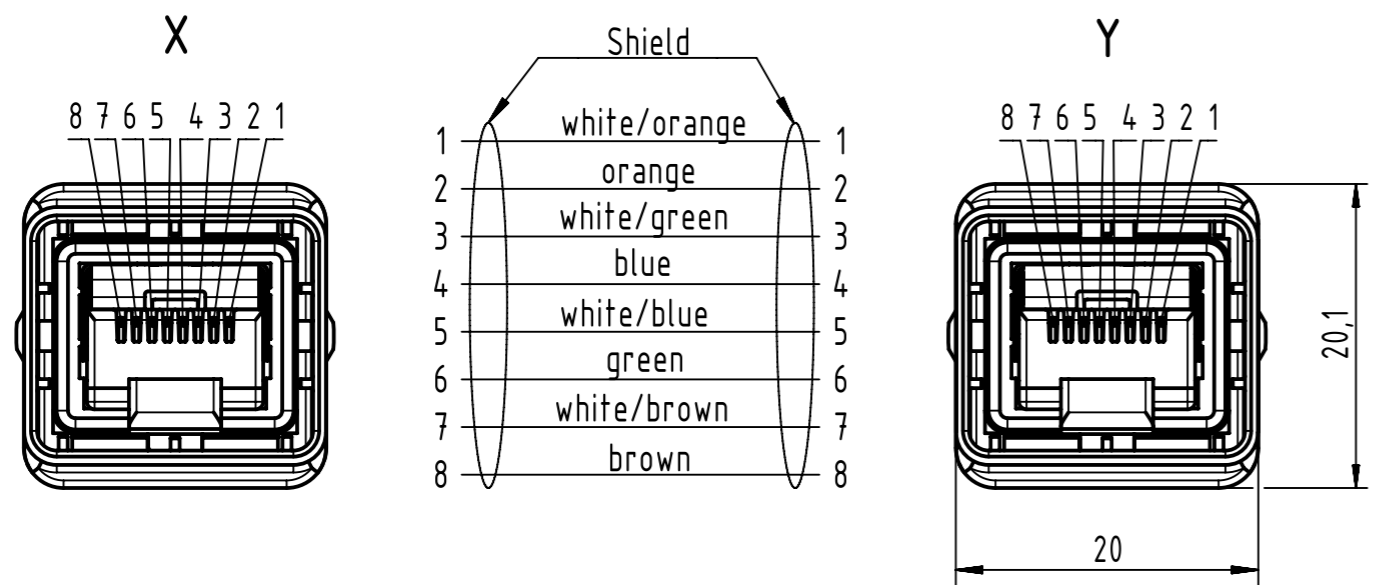
Email & Skype: info@chipsmall.com Web: www.chipsmall.com

Address: A1208, Overseas Decoration Building, #122 Zhenhua RD., Futian, Shenzhen, China





Loading-Plan
acc. to TIA/EIA 568B





- Protection level: IP65/67
- Temperature range: -20°C ... +70°C

	All Dimensions in mm Original Size DIN A3		Scale 2:1	Free size tol.		Ref.
	All rights reserved Department EC PD - RO		Created by MUNTEANV	Inspected by AVRAM	Standardisation HOFFMANN	Date 2016-03-04
HARTING Electronics GmbH D-32339 Espelkamp		Title RJ Industrial Cable Assembly			Doc-Key / ECM-Nr. 100103494/UGD/022/F 500000101155	
		Type TB	Number 094574XXXXX		Rev. F	Page 1/2

1	2	3	4	5	6	7	8	
A								A
B								B
C								C
D								D
E								E
F								F
1	2	3	4	5	6	7	8	

31	09457441537	RJ45 Ethernet Stranded Cable AWG 26/7, 4x2x0.5/1.0, Cat. 6A, PUR, yellow	6.7±0.3	35
30	09457441535			25
29	09457441534			20
28	09457441533			15
27	09457441532			10
26	09457441531			9
25	09457441530			8
24	09457441529			7
23	09457441528			6
22	09457441527			5
21	09457441526			4
20	09457441525			3
19	09457441524			2
18	09457441523			1.5
17	09457441522			1
16	09457441521			0.5
15	09457451536	RJ45 Ethernet Stranded Cable AWG 26/7, 4x2x0.5/1.0, Cat. 6A, PVC, yellow	6.6±0.3	50
14	09457451535			35
13	09457451534			25
12	09457451553			20
11	09457451552			15
10	09457451551			10
9	09457451529			7
8	09457451527			5
7	09457451526			4
6	09457451525			3
5	09457451524			2
4	09457451523			1.5
3	09457451533			0.7
2	09457451521			0.5
1	09457451532			0.25
Cont. no.	Part-no.			Type of cable

	All Dimensions in mm Original Size DIN A3	Scale 1:1	Free size tol.	Ref. Sub.
	All rights reserved Department EC PD - RO	Created by MUNTEANV	Inspected by AVRAM	Standardisation HOFFMANN
HARTING Electronics GmbH D-32339 Espelkamp		Title RJ Industrial Cable Assembly	Date 2016-03-04	State Final Release
		Type TB	Number 094574XXXXX	Doc-Key / ECM-Nr. 100103494/UGD/022/F 500000101155
			Rev. F	Page 2/2