



Chipsmall Limited consists of a professional team with an average of over 10 year of expertise in the distribution of electronic components. Based in Hongkong, we have already established firm and mutual-benefit business relationships with customers from,Europe,America and south Asia,supplying obsolete and hard-to-find components to meet their specific needs.

With the principle of “Quality Parts,Customers Priority,Honest Operation,and Considerate Service”,our business mainly focus on the distribution of electronic components. Line cards we deal with include Microchip,ALPS,ROHM,Xilinx,Pulse,ON,Everlight and Freescale. Main products comprise IC,Modules,Potentiometer,IC Socket,Relay,Connector.Our parts cover such applications as commercial,industrial, and automotives areas.

We are looking forward to setting up business relationship with you and hope to provide you with the best service and solution. Let us make a better world for our industry!



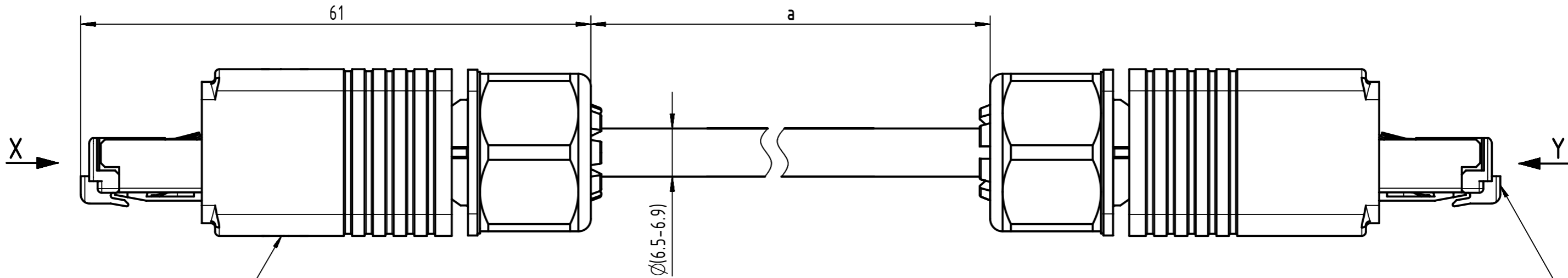
Contact us

Tel: +86-755-8981 8866 Fax: +86-755-8427 6832

Email & Skype: info@chipsmall.com Web: www.chipsmall.com

Address: A1208, Overseas Decoration Building, #122 Zhenhua RD., Futian, Shenzhen, China

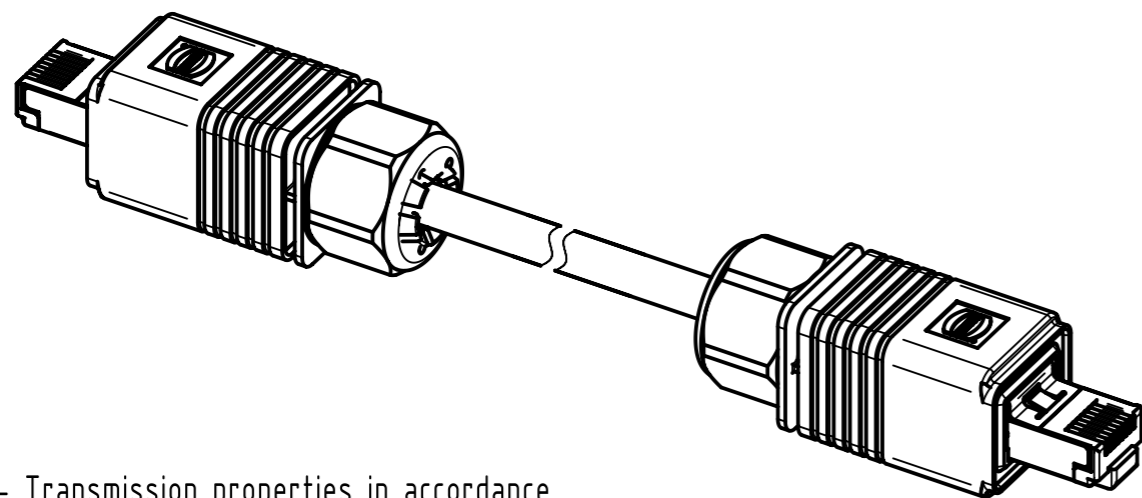
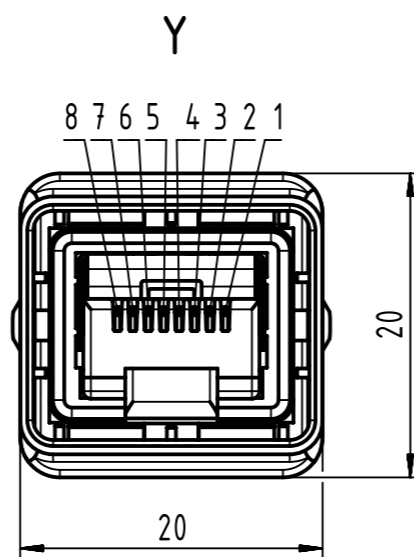
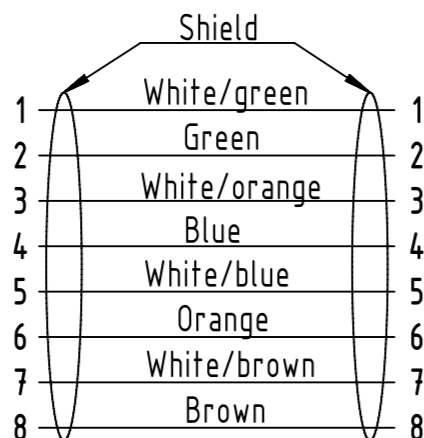
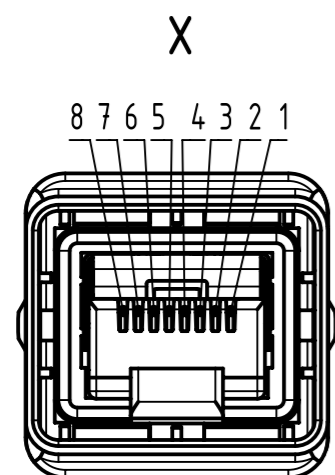




HARTING PushPull Gigalink Cat. 6A (plastic)
Protection level: IP67/65

Mating face RJ45 acc. to IEC 60603-7

Loading-Plan
acc. to EIA/TIA 568A



- Transmission properties in accordance
with ISO/IEC 11801: Class D
- Temperature range: -40°C ... +70°C

18	09457451116	8xAWG 26/7, stranded outdoor, Cat. 5	20
17	09457451115		15
16	09457451114		10
15	09457451113		9
14	09457451112		8
13	09457451111		7
12	09457451110		6
11	09457451109		5
10	09457451108		4
9	09457451120		3.5
8	09457451107		3
7	09457451119		2.5
6	09457451106		2
5	09457451105		1.5
4	09457451118		1.2
3	09457451104		1
2	09457451103		0.5
1	09457451117		0.25
Cont. no.	Part no.	Type of cable	Dim. a[m]

	All rights reserved Department EC PD - RO	Created by TAMAS	Inspected by AVRAM	Standardisation HOFFMANN	Date 2013-11-06	State Final Release	Ref. Sub.
HARTING Electronics GmbH D-32339 Espelkamp		Title RJ Industrial cable assembly			Doc-Key / ECM-Nr. 100118217/UGD/006/B 50000068168		Rev. B
		Type TB	Number 094574511XX		Page 1/1		