



Chipsmall Limited consists of a professional team with an average of over 10 year of expertise in the distribution of electronic components. Based in Hongkong, we have already established firm and mutual-benefit business relationships with customers from,Europe,America and south Asia,supplying obsolete and hard-to-find components to meet their specific needs.

With the principle of “Quality Parts,Customers Priority,Honest Operation,and Considerate Service”,our business mainly focus on the distribution of electronic components. Line cards we deal with include Microchip,ALPS,ROHM,Xilinx,Pulse,ON,Everlight and Freescale. Main products comprise IC,Modules,Potentiometer,IC Socket,Relay,Connector.Our parts cover such applications as commercial,industrial, and automotives areas.

We are looking forward to setting up business relationship with you and hope to provide you with the best service and solution. Let us make a better world for our industry!



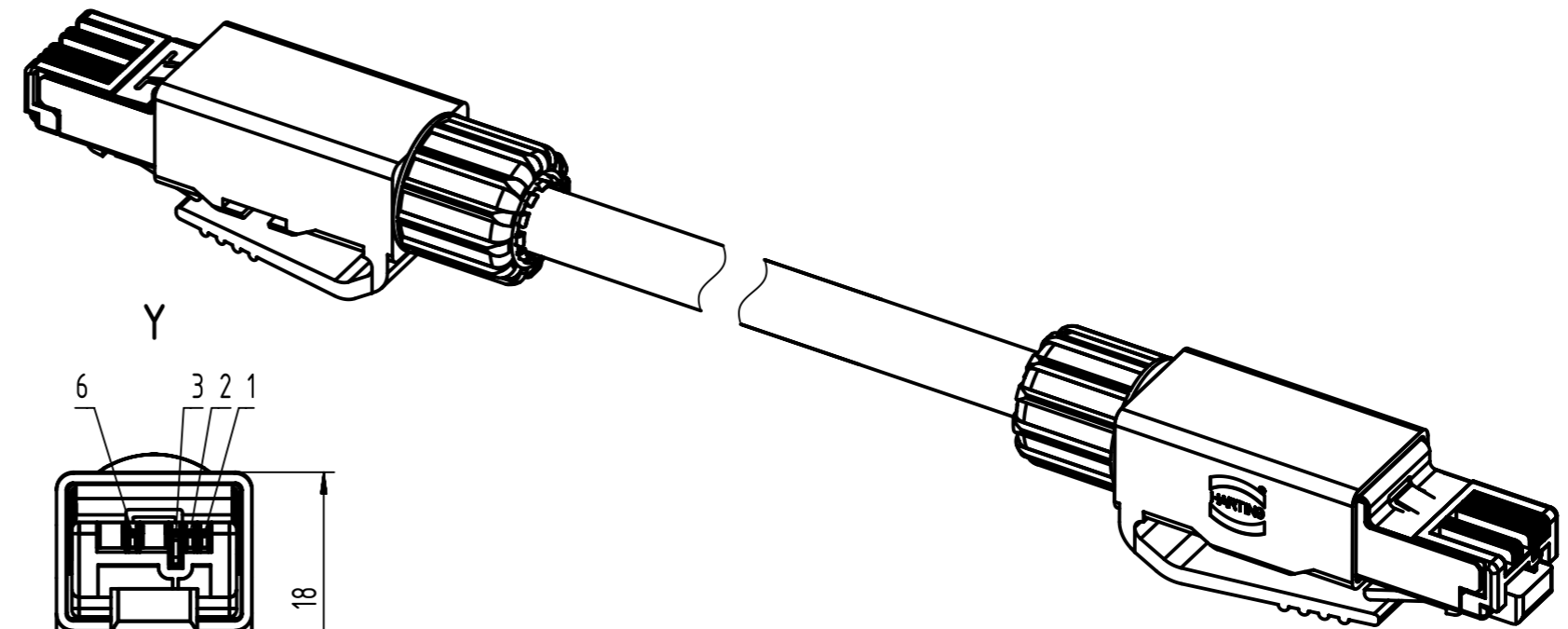
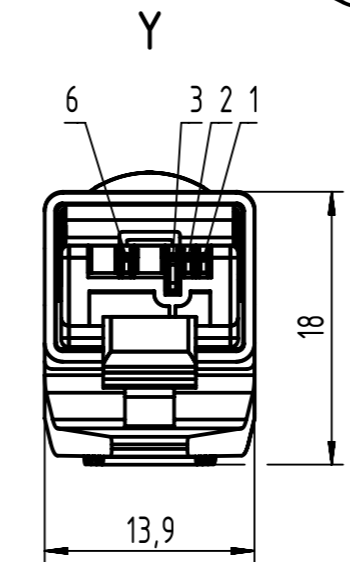
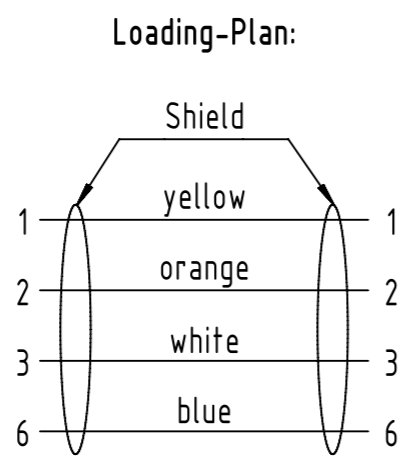
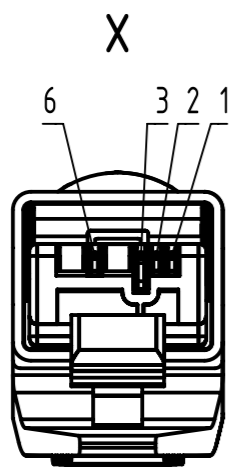
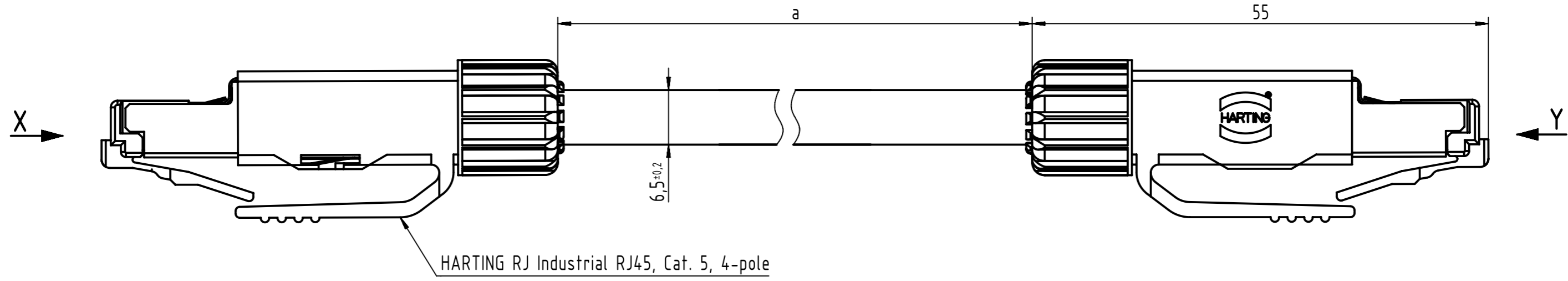
Contact us

Tel: +86-755-8981 8866 Fax: +86-755-8427 6832

Email & Skype: info@chipsmall.com Web: www.chipsmall.com



Address: A1208, Overseas Decoration Building, #122 Zhenhua RD., Futian, Shenzhen, China





- Protection level: IP20
 - Temperature range: -40°C...+70°C

	All Dimensions in mm Original Size DIN A3		Scale 2:1	Free size tol.		Ref.	
	All rights reserved Department EC PD - RO		Created by TAMAS	Inspected by AVRAM	Standardisation HOFFMANN	Date 2015-12-04	State Final Release
HARTING Electronics GmbH D-32339 Espelkamp		Title RJ Industrial Cable Assembly				Doc-Key / ECM-Nr. 100081047/UGD/027/C 50000098021	
		Type TB	Number 0945751YYYY			Rev. C	Page 1/2

	1	2	3	4	5	6	7	8
A								
B	44	09457511161	RJ45 Ethernet Standard Cable, AWG22/1, 2x2x0.64, Cat. 5+, PVC	100				
	43	09457511160		90				
	42	09457511159		80				
	41	09457511158		70				
	40	09457511157		60				
	39	09457511156		50				
	38	09457511155		40				
	37	09457511154		30				
	36	09457511153		20				
	35	09457511152		15				
	34	09457511151		10				
	33	09457511131		9				
	32	09457511130		8				
C	31	09457511129		7				
	30	09457511128		6				
	29	09457511127		5				
	28	09457511126		4				
	27	09457511125		3				
	26	09457511124		2				
	25	09457511123		1.5				
	24	09457511122		1				
	23	09457511121		0.5				
D	22	09457510061		100				
	21	09457510060		90				
	20	09457510059		80				
	19	09457510058		70				
	18	09457510057		60				
	17	09457510056	50					
	16	09457510055	40					
	15	09457510054	30					
	14	09457510053	20					
	13	09457510052	15					
E	12	09457510051	10					
	11	09457510031	9					
	10	09457510030	8					
	9	09457510029	7					
	8	09457510028	6					
	7	09457510027	5					
	6	09457510026	4					
	5	09457510025	3					
	4	09457510024	2					
	3	09457510023	1.5					
	2	09457510022	1					
F	1	09457510021	0.5					
	Cont. no.	Part no.	Type of cable	Dim. a[m]				
	67	09457511183	RJ45 Ethernet Trailing Cable. AWG22/7, 2x2x0.75, Cat. 5+, PUR	100				
	66	09457511182		90				
	65	09457511181		80				
	64	09457511180		70				
	63	09457511179		60				
	62	09457511178		50				
	61	09457511177		40				
	60	09457511176		30				
	59	09457511175		20				
	58	09457511184		18				
	57	09457511174		15				
	56	09457511173		10				
	55	09457511172		9				
	54	09457511171		8				
	53	09457511170		7				
	52	09457511169		6				
	51	09457511168		5				
	50	09457511167		4				
	49	09457511166		3				
	48	09457511165		2				
	47	09457511164	1.5					
	46	09457511163	1					
	45	09457511162	0.5					
	Cont. no.	Part no.	Type of cable	Dim. a[m]				
		All Dimensions in mm Original Size DIN A3	Scale 1:1	Free size tol.	Ref. Sub.			
		All rights reserved Department EC PD - RO	Created by TAMAS	Inspected by AVRAM	Standardisation HOFFMANN	Date 2015-12-04	State Final Release	
	HARTING Electronics GmbH D-32339 Espelkamp		Title RJ Industrial Cable Assembly	Doc-Key / ECM-Nr. 100081047/UGD/027/C 50000098021		Rev. C	Page 2/2	
			Type TB	Number 0945751YYYY				