



Chipsmall Limited consists of a professional team with an average of over 10 year of expertise in the distribution of electronic components. Based in Hongkong, we have already established firm and mutual-benefit business relationships with customers from,Europe,America and south Asia,supplying obsolete and hard-to-find components to meet their specific needs.

With the principle of “Quality Parts,Customers Priority,Honest Operation,and Considerate Service”,our business mainly focus on the distribution of electronic components. Line cards we deal with include Microchip,ALPS,ROHM,Xilinx,Pulse,ON,Everlight and Freescale. Main products comprise IC,Modules,Potentiometer,IC Socket,Relay,Connector.Our parts cover such applications as commercial,industrial, and automotives areas.

We are looking forward to setting up business relationship with you and hope to provide you with the best service and solution. Let us make a better world for our industry!



Contact us

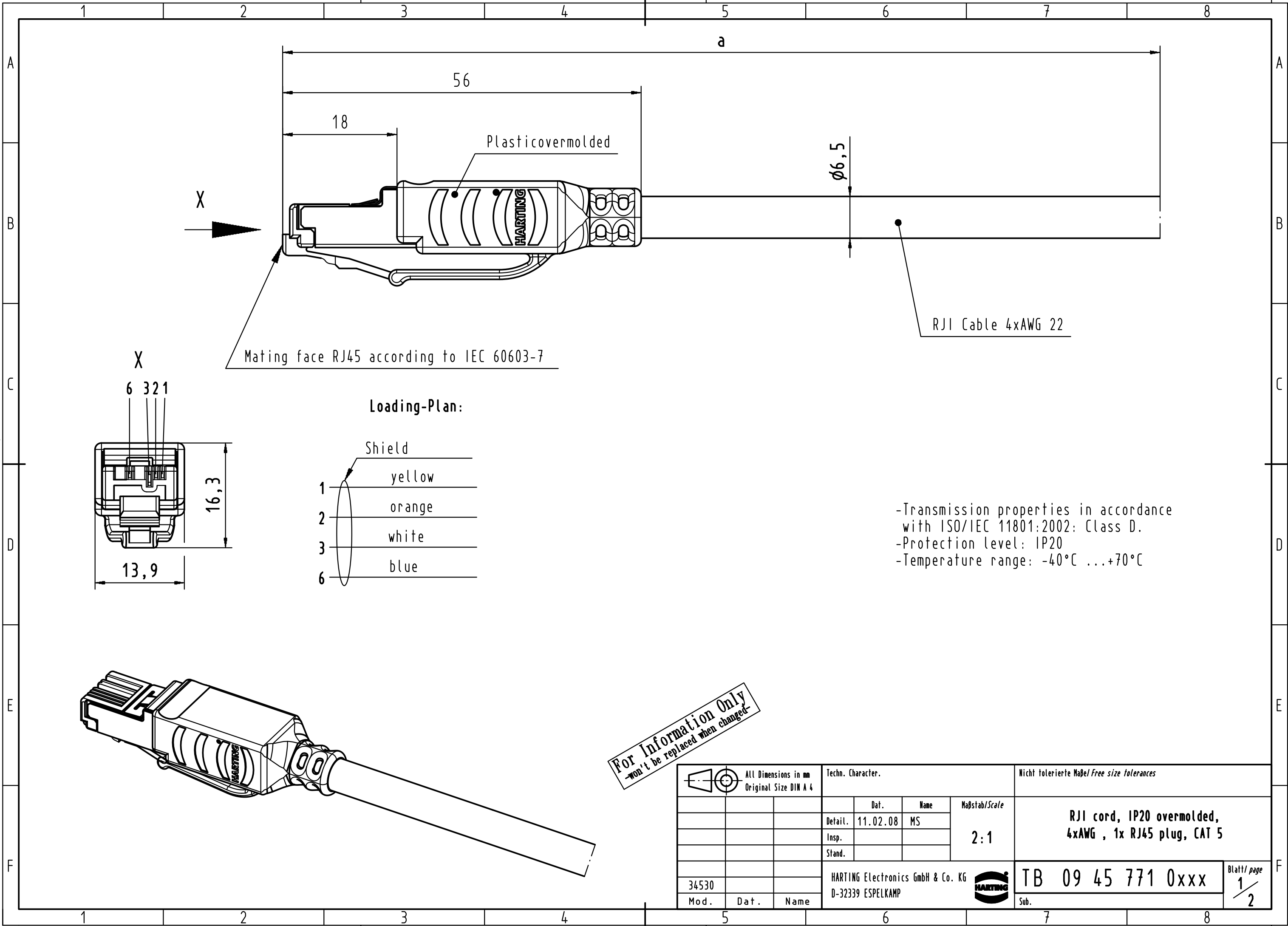
Tel: +86-755-8981 8866 Fax: +86-755-8427 6832

Email & Skype: info@chipsmall.com Web: www.chipsmall.com

Address: A1208, Overseas Decoration Building, #122 Zhenhua RD., Futian, Shenzhen, China



Alle Rechte vorbehalten. All rights reserved



-Transmission properties in accordance with ISO/IEC 11801:2002: Class D.
 -Protection level: IP20
 -Temperature range: -40°C ...+70°C



For Information Only
 -won't be replaced when changed-

All Dimensions in mm Original Size DIN A 4		Techn. Character.			Nicht tolerierte Maß/Free size tolerances	
		Dat.	Name	Maßstab/Scale 2:1	RJ45 cord, IP20 overmolded, 4xAWG , 1x RJ45 plug, CAT 5	
		Detail.	11.02.08 MS			
		Insp.				
		Stand.				
34530		HARTING Electronics GmbH & Co. KG D-32339 ESPELKAMP				TB 09 45 771 0xxx
Mod.	Dat.	Name		Blatt/page 1/2		

Alle Rechte vorbehalten/ All rights reserved

	1	2	3	4	5	6	7	8
	Cont. no.	Part number	Type of cable	Dim. a	Cont. no.	Part number	Type of cable	Dim. a
A	1	09 45 771 0062	4AWG 22/1 solid	0,5 m	52	09 45 771 0169	4AWG 22/7 trailing	6 m
	2	09 45 771 0063	4AWG 22/1 solid	1 m	53	09 45 771 0170	4AWG 22/7 trailing	7 m
	3	09 45 771 0064	4AWG 22/1 solid	1,5 m	54	09 45 771 0171	4AWG 22/7 trailing	8 m
	4	09 45 771 0065	4AWG 22/1 solid	2 m	55	09 45 771 0172	4AWG 22/7 trailing	9 m
	5	09 45 771 0066	4AWG 22/1 solid	3 m	56	09 45 771 0173	4AWG 22/7 trailing	10 m
	6	09 45 771 0067	4AWG 22/1 solid	4 m	57	09 45 771 0174	4AWG 22/7 trailing	15 m
	7	09 45 771 0068	4AWG 22/1 solid	5 m	58	09 45 771 0175	4AWG 22/7 trailing	20 m
	8	09 45 771 0069	4AWG 22/1 solid	6 m	59	09 45 771 0176	4AWG 22/7 trailing	30 m
	9	09 45 771 0070	4AWG 22/1 solid	7 m	60	09 45 771 0177	4AWG 22/7 trailing	40 m
B	10	09 45 771 0071	4AWG 22/1 solid	8 m	61	09 45 771 0178	4AWG 22/7 trailing	50 m
	11	09 45 771 0072	4AWG 22/1 solid	9 m	62	09 45 771 0179	4AWG 22/7 trailing	60 m
	12	09 45 771 0073	4AWG 22/1 solid	10 m	63	09 45 771 0180	4AWG 22/7 trailing	70 m
	13	09 45 771 0074	4AWG 22/1 solid	15 m	64	09 45 771 0181	4AWG 22/7 trailing	80 m
	14	09 45 771 0075	4AWG 22/1 solid	20 m	65	09 45 771 0182	4AWG 22/7 trailing	90 m
	15	09 45 771 0076	4AWG 22/1 solid	30 m	66	09 45 771 0183	4AWG 22/7 trailing	100 m
	16	09 45 771 0077	4AWG 22/1 solid	40 m	67	09 45 771 0100	4AWG 22/7 "outdoor"	0,5 m
	17	09 45 771 0078	4AWG 22/1 solid	50 m	68	09 45 771 0101	4AWG 22/7 "outdoor"	1 m
	18	09 45 771 0079	4AWG 22/1 solid	60 m	69	09 45 771 0102	4AWG 22/7 "outdoor"	1,5 m
	19	09 45 771 0080	4AWG 22/1 solid	70 m	70	09 45 771 0103	4AWG 22/7 "outdoor"	2 m
C	20	09 45 771 0081	4AWG 22/1 solid	80 m	71	09 45 771 0104	4AWG 22/7 "outdoor"	3 m
	21	09 45 771 0082	4AWG 22/1 solid	90 m	72	09 45 771 0105	4AWG 22/7 "outdoor"	4 m
	22	09 45 771 0083	4AWG 22/1 solid	100 m	73	09 45 771 0106	4AWG 22/7 "outdoor"	5 m
	23	09 45 771 0121	4AWG 22/7 stranded	0,5 m	74	09 45 771 0107	4AWG 22/7 "outdoor"	6 m
	24	09 45 771 0122	4AWG 22/7 stranded	1 m	75	09 45 771 0108	4AWG 22/7 "outdoor"	7 m
	25	09 45 771 0123	4AWG 22/7 stranded	1,5 m	76	09 45 771 0109	4AWG 22/7 "outdoor"	8 m
	26	09 45 771 0124	4AWG 22/7 stranded	2 m	77	09 45 771 0110	4AWG 22/7 "outdoor"	9 m
	27	09 45 771 0125	4AWG 22/7 stranded	3 m	78	09 45 771 0111	4AWG 22/7 "outdoor"	10 m
	28	09 45 771 0126	4AWG 22/7 stranded	4 m	79	09 45 771 0112	4AWG 22/7 "outdoor"	15 m
D	29	09 45 771 0127	4AWG 22/7 stranded	5 m	80	09 45 771 0113	4AWG 22/7 "outdoor"	20 m
	30	09 45 771 0128	4AWG 22/7 stranded	6 m	81	09 45 771 0114	4AWG 22/7 "outdoor"	30 m
	31	09 45 771 0129	4AWG 22/7 stranded	7 m	82	09 45 771 0115	4AWG 22/7 "outdoor"	40 m
	32	09 45 771 0130	4AWG 22/7 stranded	8 m	83	09 45 771 0116	4AWG 22/7 "outdoor"	50 m
	33	09 45 771 0131	4AWG 22/7 stranded	9 m	84	09 45 771 0117	4AWG 22/7 "outdoor"	60 m
	34	09 45 771 0151	4AWG 22/7 stranded	10 m	85	09 45 771 0118	4AWG 22/7 "outdoor"	70 m
	35	09 45 771 0152	4AWG 22/7 stranded	15 m	86	09 45 771 0119	4AWG 22/7 "outdoor"	80 m
	36	09 45 771 0153	4AWG 22/7 stranded	20 m	87	09 45 771 0120	4AWG 22/7 "outdoor"	90 m
	37	09 45 771 0154	4AWG 22/7 stranded	30 m	88	09 45 771 0132	4AWG 22/7 "outdoor"	100 m
	38	09 45 771 0155	4AWG 22/7 stranded	40 m				
E	39	09 45 771 0156	4AWG 22/7 stranded	50 m				
	40	09 45 771 0157	4AWG 22/7 stranded	60 m				
	41	09 45 771 0158	4AWG 22/7 stranded	70 m				
	42	09 45 771 0159	4AWG 22/7 stranded	80 m				
	43	09 45 771 0160	4AWG 22/7 stranded	90 m				
	44	09 45 771 0161	4AWG 22/7 stranded	100 m				
	45	09 45 771 0162	4AWG 22/7 trailing	0.5 m				
	46	09 45 771 0163	4AWG 22/7 trailing	1 m				
	47	09 45 771 0164	4AWG 22/7 trailing	1.5 m				
	48	09 45 771 0165	4AWG 22/7 trailing	2 m				
F	49	09 45 771 0166	4AWG 22/7 trailing	3 m				
	50	09 45 771 0167	4AWG 22/7 trailing	4 m				
	51	09 45 771 0168	4AWG 22/7 trailing	5 m				

For Information Only
won't be replaced when changed

	All Dimensions in mm Original Size DIN A 4		Techn. Character.			Nicht tolerierte Maß/Free size tolerances		
				Dat.	Name	Maßstab/Scale 2:1	RJ1 cord, IP20 overmolded, 4xAWG , 1x RJ45 plug, CAT 5	
				Detail.	11.02.08			MS
				Insp.				
			Stand.					
			HARTING Electronics GmbH & Co. KG D-32339 ESPELKAMP				TB 09 45 771 0xxx	
34530							Blatt/ page 2/2	
Mod.	Dat.	Name					Sub.	