



Chipsmall Limited consists of a professional team with an average of over 10 year of expertise in the distribution of electronic components. Based in Hongkong, we have already established firm and mutual-benefit business relationships with customers from,Europe,America and south Asia,supplying obsolete and hard-to-find components to meet their specific needs.

With the principle of “Quality Parts,Customers Priority,Honest Operation,and Considerate Service”,our business mainly focus on the distribution of electronic components. Line cards we deal with include Microchip,ALPS,ROHM,Xilinx,Pulse,ON,Everlight and Freescale. Main products comprise IC,Modules,Potentiometer,IC Socket,Relay,Connector.Our parts cover such applications as commercial,industrial, and automotives areas.

We are looking forward to setting up business relationship with you and hope to provide you with the best service and solution. Let us make a better world for our industry!



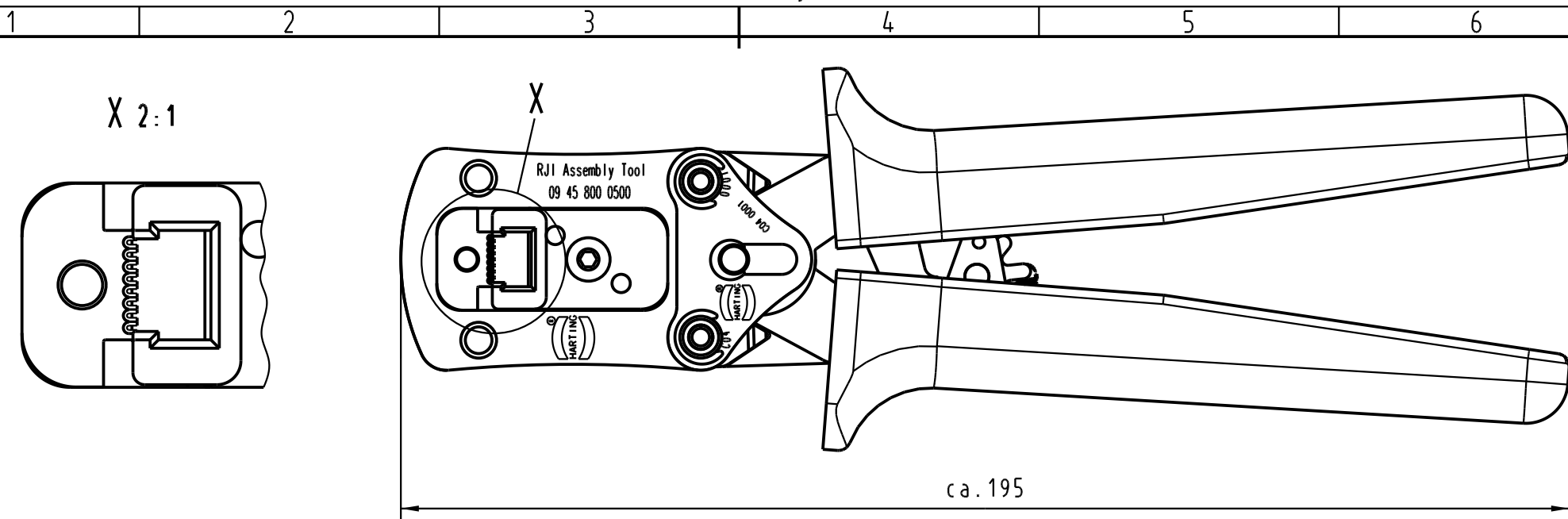
## Contact us

Tel: +86-755-8981 8866 Fax: +86-755-8427 6832

Email & Skype: info@chipsmall.com Web: www.chipsmall.com

Address: A1208, Overseas Decoration Building, #122 Zhenhua RD., Futian, Shenzhen, China





Linearer Hub  
Straight action principle

Entriegelbare Zwangssperre  
Ratchet release

Ergonomisch gestylte Softhandgriffe  
Farbe: SIGNALGELB (RAL 1003)  
Ergonomic soft grips  
color: yellow (RAL 1003)



Kontaktpositionierung mit Anschlag  
Contact positioning with locator

Präzise geschliffene Profile  
Precisely ground profiles

Voll recyclefähig  
Fully recyclable

Anwendungsbereich: 'HARTING RJ Industrial® Gigalink Steckverbinder'  
Application range: 'HARTING RJ Industrial® Gigalink connectors'

Leiterquerschnitt: AWG 26/7-24/7 (0,14-0,23mm<sup>2</sup>)  
Cross section range: AWG 26/7-24/7 (0,14-0,23mm<sup>2</sup>)

 All Dimensions in mm Original Size DIN A 4			Techn. Character.			Nicht tolerierte Maße / Free size tolerances	
				Dat.	Name	Maßstab / Scale	
			Detail.	23.07.04	Wie	1:1	
			Insp.	23.07.04	Wae		
			Stand.				
32405	23.11.04	Wie	HARTING Electronics GmbH & Co. KG D. 39239 ESSELKAMP			RJ Industrial Gigalink Crimpzange RJ Industrial Gigalink crimp tool	
32096						TB 09 45 800 0500	