



Chipsmall Limited consists of a professional team with an average of over 10 year of expertise in the distribution of electronic components. Based in Hongkong, we have already established firm and mutual-benefit business relationships with customers from,Europe,America and south Asia,supplying obsolete and hard-to-find components to meet their specific needs.

With the principle of “Quality Parts,Customers Priority,Honest Operation,and Considerate Service”,our business mainly focus on the distribution of electronic components. Line cards we deal with include Microchip,ALPS,ROHM,Xilinx,Pulse,ON,Everlight and Freescale. Main products comprise IC,Modules,Potentiometer,IC Socket,Relay,Connector.Our parts cover such applications as commercial,industrial, and automotives areas.

We are looking forward to setting up business relationship with you and hope to provide you with the best service and solution. Let us make a better world for our industry!



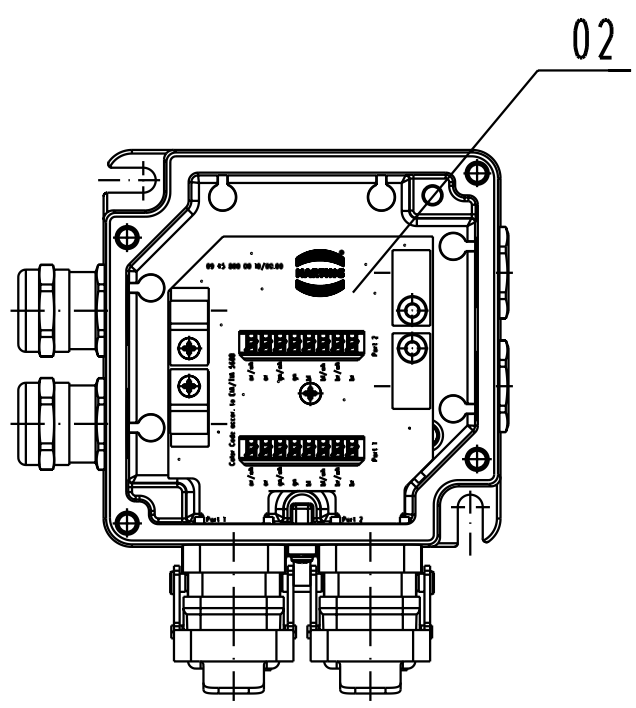
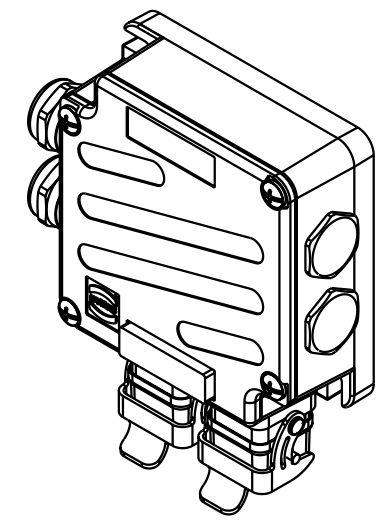
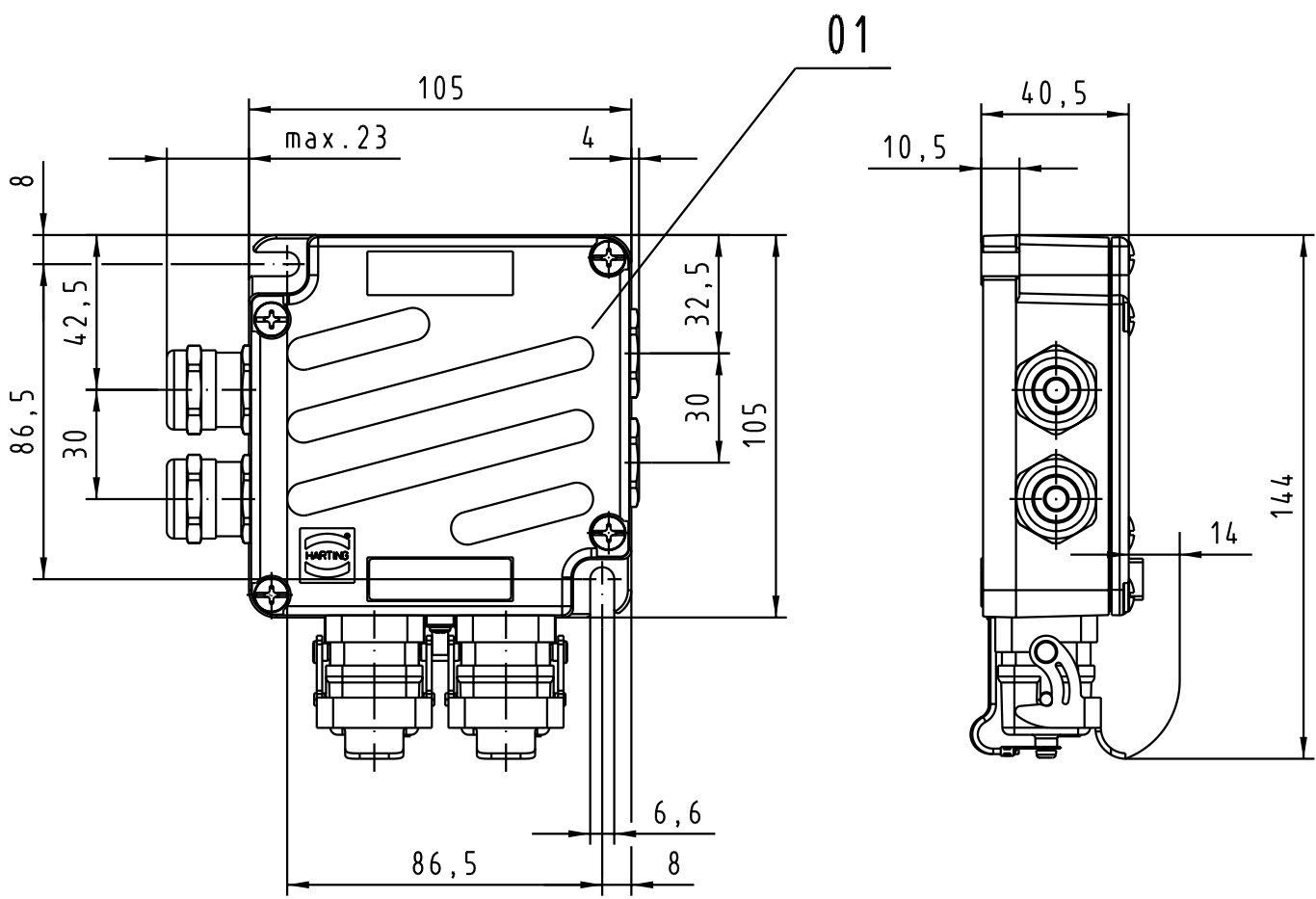
Contact us

Tel: +86-755-8981 8866 Fax: +86-755-8427 6832

Email & Skype: info@chipsmall.com Web: www.chipsmall.com

Address: A1208, Overseas Decoration Building, #122 Zhenhua RD., Futian, Shenzhen, China





Pos. / pos.	Benennung / description
01	<p>Vollmetallgehäuse, IP 67 / full metal housing, IP 67</p> <ul style="list-style-type: none"> - Gehäuseunterteil mit HARTING RJ Industrial® Data 3A-Steckgesicht <i>bottom part with HARTING RJ Industrial® Data 3A Interface</i> - Gehäusedeckel und Schutzkappen unverlierbar <i>captive upper shell and protection caps</i> - Bezeichnungsschild montiert <i>tag mounted</i> - Kabelverschraubung für Kabel-ϕ 5-9mm, M 20, linksseitig vormontiert <i>cable clamp for cable ϕ 5-9 mm, M 20, pre-mounted sinistral</i> - Blindstopfen M 20, rechtsseitig vormontiert <i>blind plug M 20, pre-mounted dexter</i>
02	<p>bestückte Leiterplatte / PCB assembly</p> <ul style="list-style-type: none"> - Link-Performance Klasse D nach ISO/ IEC 11801:2002 <i>link performance class D acc. to ISO/ IEC 11801:2002</i> - 2x KRONE LSA-Plus®-Leiste, Category 5, 100 MHz, farblich kodiert nach EIA/TIA 568 B <i>2x KRONE LSA- Plus® module, category 5, 100 MHz, colour coded acc. to EIA/ TIA 568 B</i> - 2x RJ 45-Buchse <i>2x RJ 45 jack</i> - 2x Kabelschelle zur Schirmanbindung <i>2x cable clamp for shielding connection</i>

Alle Rechte vorbehalten/ All rights reserved

All Dimensions in mm Original Size DIN A 3		Techn. Character.			Nicht tolerierte Maß/Free size tolerances	
			Dat.	Name	Maßstab/Scale 1 : 2	RJ Industrial Metal Outlet Industrie-Anschlussdose <i>Industrial Outlet</i>
			Detail.	11.03.04 Sch.		
			Insp.	11.03.04 Sch.		
			Stand.			
32064	11.05.04	Hage.	HARTING Electronics GmbH & Co. KG			TB 09 45 815 1100 Sub.
31917			D-32339 ESPELKAMP			
Mod.	Dat.	Name				Blatt/ page