



Chipsmall Limited consists of a professional team with an average of over 10 year of expertise in the distribution of electronic components. Based in Hongkong, we have already established firm and mutual-benefit business relationships with customers from,Europe,America and south Asia,supplying obsolete and hard-to-find components to meet their specific needs.

With the principle of “Quality Parts,Customers Priority,Honest Operation,and Considerate Service”,our business mainly focus on the distribution of electronic components. Line cards we deal with include Microchip,ALPS,ROHM,Xilinx,Pulse,ON,Everlight and Freescale. Main products comprise IC,Modules,Potentiometer,IC Socket,Relay,Connector.Our parts cover such applications as commercial,industrial, and automotives areas.

We are looking forward to setting up business relationship with you and hope to provide you with the best service and solution. Let us make a better world for our industry!



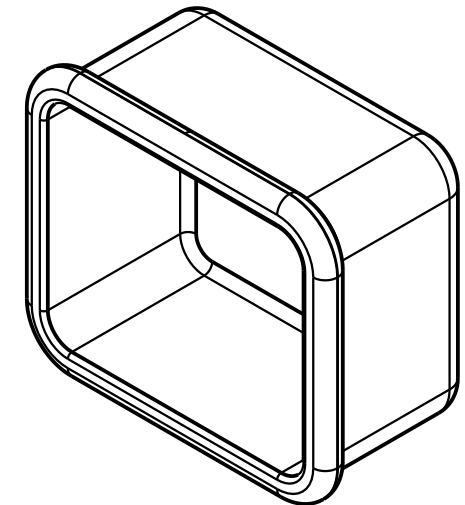
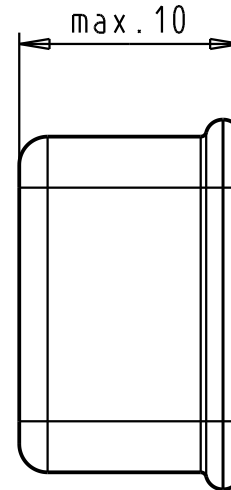
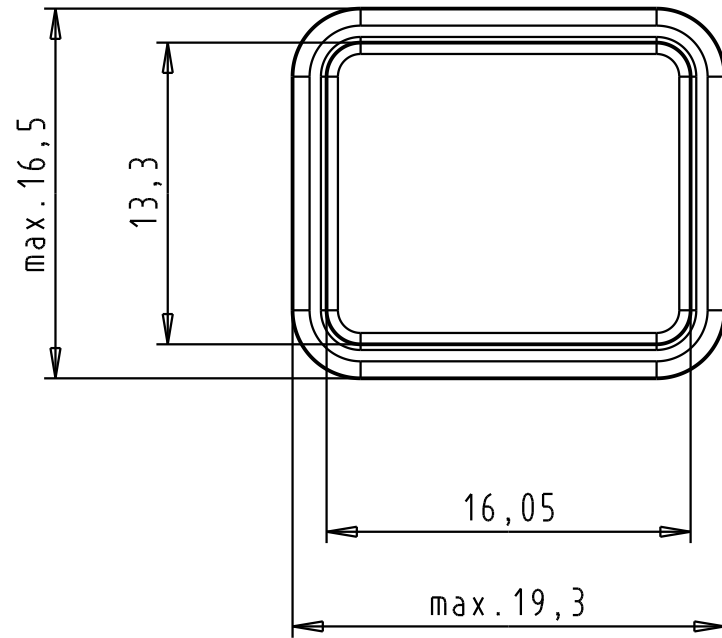
## Contact us

Tel: +86-755-8981 8866 Fax: +86-755-8427 6832

Email & Skype: info@chipsmall.com Web: www.chipsmall.com

Address: A1208, Overseas Decoration Building, #122 Zhenhua RD., Futian, Shenzhen, China





			Dat.	Name
			Detail.	18-May-2004 JFB
			Insp.	
			Stand.	
31905	24-May-2004	JFB		
31906	18-May-2004	JFB		
			HARTING EURL F-95972 Paris	



All Dim. in mm  
Orig. Size DIN A 4



Push-pull receptacle  
IP40 CAP

Maßstab/  
Scale  
3:1

09 45 845 00 03

Part Number

Polychloroprene black color  
material

Mod. Dat. Name

HARTING EURL  
F-95972 Paris

TB 09 45 845 00 03

Sub.

Blatt/ Page  
1