



Chipsmall Limited consists of a professional team with an average of over 10 year of expertise in the distribution of electronic components. Based in Hongkong, we have already established firm and mutual-benefit business relationships with customers from,Europe,America and south Asia,supplying obsolete and hard-to-find components to meet their specific needs.

With the principle of “Quality Parts,Customers Priority,Honest Operation,and Considerate Service”,our business mainly focus on the distribution of electronic components. Line cards we deal with include Microchip,ALPS,ROHM,Xilinx,Pulse,ON,Everlight and Freescale. Main products comprise IC,Modules,Potentiometer,IC Socket,Relay,Connector.Our parts cover such applications as commercial,industrial, and automotives areas.

We are looking forward to setting up business relationship with you and hope to provide you with the best service and solution. Let us make a better world for our industry!



## Contact us

Tel: +86-755-8981 8866 Fax: +86-755-8427 6832

Email & Skype: info@chipsmall.com Web: www.chipsmall.com

Address: A1208, Overseas Decoration Building, #122 Zhenhua RD., Futian, Shenzhen, China



5

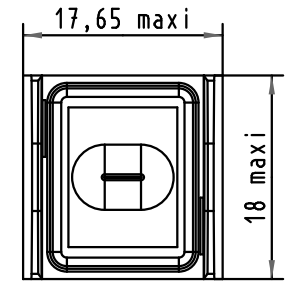
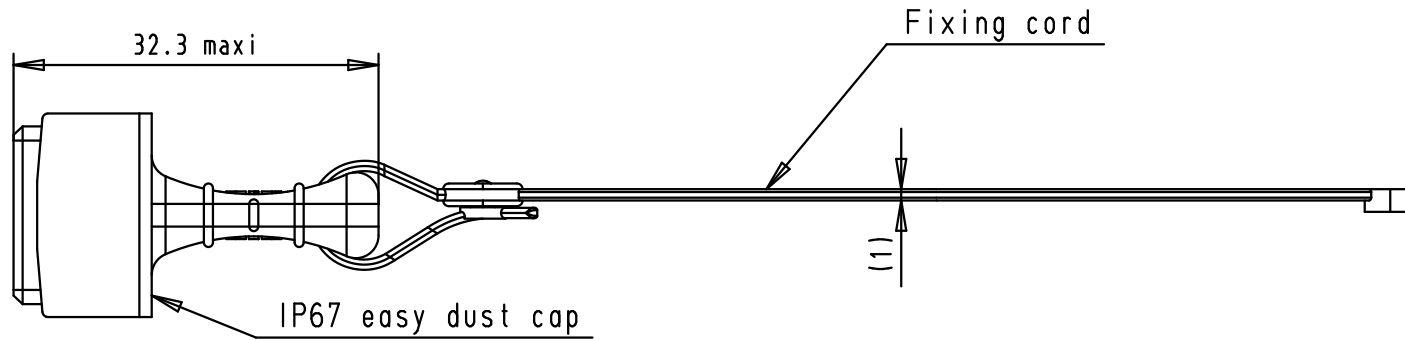
4

3

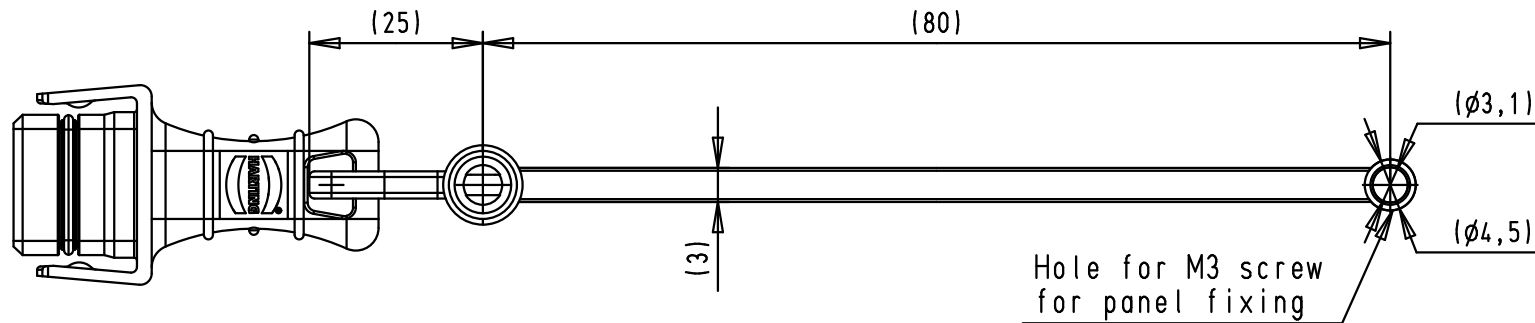
2

1

D

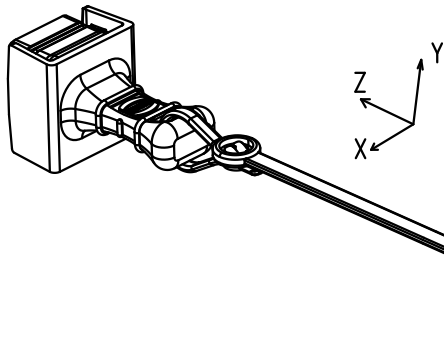


C





B

Preconised range screwing torque for M3 screw: 0.3N.m to 0.35N.m



Part Number	Description	Quantity
09 45 845 0009	IP67 easy dust cap + fixing cord	1
09 45 845 0009 XL	IP67 easy dust cap + fixing cord	100

A

36239	18/03/11	AB		Dat.	Name	 All Dim. in mm Orig. Size DIN A 4	RJ Industrial	IP67 Easy dust cap for Push-Pull receptacle with fixing cord and hole for M3 screw	Maßstab/ Scale
35667	05/03/09	AB	Detail.	19Sep2007	ED		1.5:1		
35633	15/12/08	AB	Insp.						
35052	30May2008	AB	Stand.						
34912	10Apr2008	AB							
34766	15Oct2007	ED							
Mod.	Dat.	Name	HARTING EURL F-95972 Paris				TB 09 45 845 0009	Blatt/ Page	
							Sub.	1/1	