



Chipsmall Limited consists of a professional team with an average of over 10 year of expertise in the distribution of electronic components. Based in Hongkong, we have already established firm and mutual-benefit business relationships with customers from,Europe,America and south Asia,supplying obsolete and hard-to-find components to meet their specific needs.

With the principle of “Quality Parts,Customers Priority,Honest Operation,and Considerate Service”,our business mainly focus on the distribution of electronic components. Line cards we deal with include Microchip,ALPS,ROHM,Xilinx,Pulse,ON,Everlight and Freescale. Main products comprise IC,Modules,Potentiometer,IC Socket,Relay,Connector.Our parts cover such applications as commercial,industrial, and automotives areas.

We are looking forward to setting up business relationship with you and hope to provide you with the best service and solution. Let us make a better world for our industry!



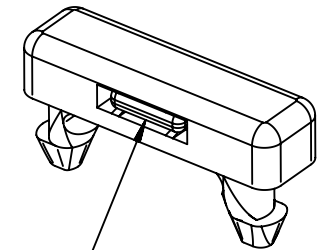
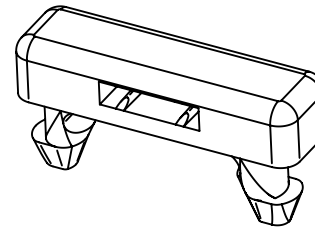
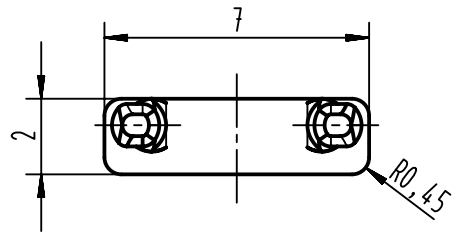
Contact us

Tel: +86-755-8981 8866 Fax: +86-755-8427 6832

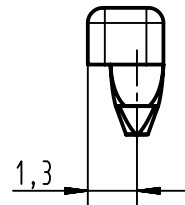
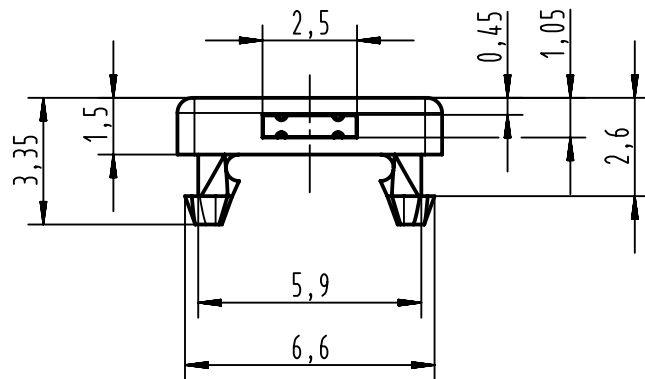
Email & Skype: info@chipsmall.com Web: www.chipsmall.com

Address: A1208, Overseas Decoration Building, #122 Zhenhua RD., Futian, Shenzhen, China






RFID Chip
possible option



09458500011	colour-clip black
09458500010	colour-clip brown RAL 8004
09458500009	colour-clip green
09458500008	colour-clip blue
09458500007	colour-clip red
09458500006	colour-clip orange
09458500005	colour-clip magenta RAL 4003
09458500004	colour-clip pink RAL 3015
09458500003	colour-clip yellow
09458500002	colour-clip grey
09458500001	colour-clip white RAL 1013
part-no.	description

	All Dimensions in mm Original Size DIN A4		Scale 5:1	Free size tol.		Ref. Sub. TB 09 45 850 00xx 09.12.11 Mod. 36463	
	All rights reserved Department EC PD - DE		Created by HASSE	Inspected by LINDKAMP	Standardisation HOFFMANN	Date 2013-01-07	State Final Release
HARTING Electronics GmbH D-32339 Espelkamp		Title Colour-Clip for RJ Industrial				Doc-Key / ECM-Nr. 100181900/UGD/001/A 500000057802	
		Type TB	Number 094585000XX			Rev. A	Page 1/1