



Chipsmall Limited consists of a professional team with an average of over 10 year of expertise in the distribution of electronic components. Based in Hongkong, we have already established firm and mutual-benefit business relationships with customers from,Europe,America and south Asia,supplying obsolete and hard-to-find components to meet their specific needs.

With the principle of “Quality Parts,Customers Priority,Honest Operation,and Considerate Service”,our business mainly focus on the distribution of electronic components. Line cards we deal with include Microchip,ALPS,ROHM,Xilinx,Pulse,ON,Everlight and Freescale. Main products comprise IC,Modules,Potentiometer,IC Socket,Relay,Connector.Our parts cover such applications as commercial,industrial, and automotives areas.

We are looking forward to setting up business relationship with you and hope to provide you with the best service and solution. Let us make a better world for our industry!



## Contact us

Tel: +86-755-8981 8866 Fax: +86-755-8427 6832

Email & Skype: info@chipsmall.com Web: www.chipsmall.com

Address: A1208, Overseas Decoration Building, #122 Zhenhua RD., Futian, Shenzhen, China



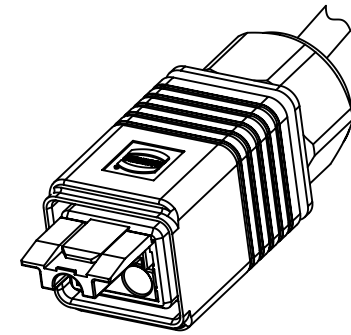
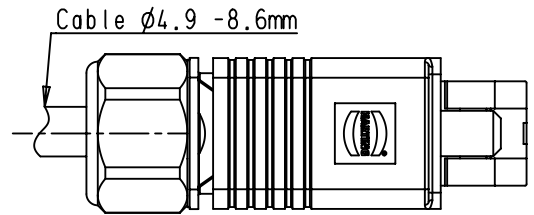
1 2 3 4 5 6

A

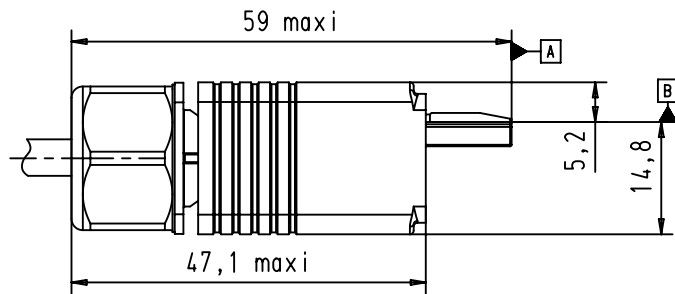
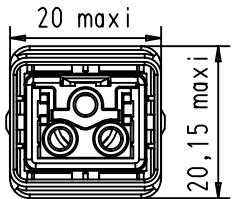
B

C

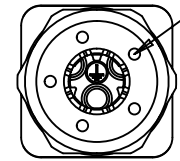
D



SCALE 1:1



On request : color coding ring for Pg9 nut  
TB 09 45 840 001X



Cable outer diameter from 4,9 mm to 8,6 mm  
 Usable crimp contacts (please order separatly)  
 -3x male crimp contacts 09 46 500 0403 0.75mm<sup>2</sup> (AWG 20)  
 -3x male crimp contacts 09 46 500 0407 1.0mm<sup>2</sup> (AWG 18)  
 -3x male crimp contacts 09 46 500 0401 1.5mm<sup>2</sup> (AWG 16-14)  
 -3x male crimp contacts 09 46 500 0405 2.5mm<sup>2</sup> (AWG 12)

	All rights reserved Department EC PD - FR	All Dimensions in mm Original Size DIN A4		Scale 1:1	Free size tol.	Ref. Sub.
		Created by DOUGE	Inspected by BAGDIKIAN	Standardisation KOHLER	Date 2012-07-20	State Final Release
HARTING Electronics GmbH D-32339 Espelkamp		Title HPP V4 Power plug 250V/16A 3p w/o cont.			Doc-Key / ECM-Nr. 100226297/UGD/001/A 500000053558	
		Type TB	Number 09461453411		Rev. A	Page 1/1