



Chipsmall Limited consists of a professional team with an average of over 10 year of expertise in the distribution of electronic components. Based in Hongkong, we have already established firm and mutual-benefit business relationships with customers from,Europe,America and south Asia,supplying obsolete and hard-to-find components to meet their specific needs.

With the principle of “Quality Parts,Customers Priority,Honest Operation,and Considerate Service”,our business mainly focus on the distribution of electronic components. Line cards we deal with include Microchip,ALPS,ROHM,Xilinx,Pulse,ON,Everlight and Freescale. Main products comprise IC,Modules,Potentiometer,IC Socket,Relay,Connector.Our parts cover such applications as commercial,industrial, and automotives areas.

We are looking forward to setting up business relationship with you and hope to provide you with the best service and solution. Let us make a better world for our industry!



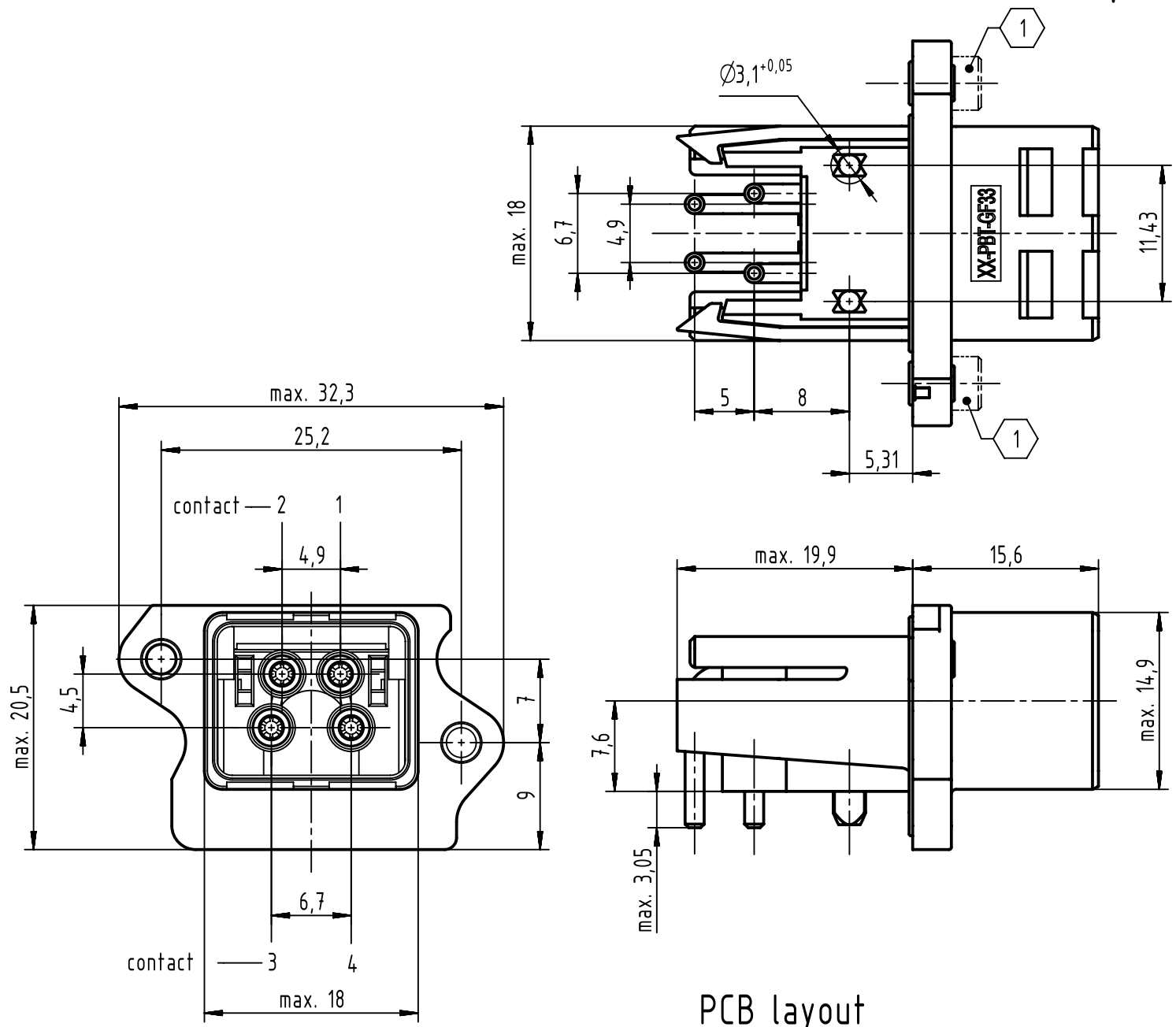
Contact us

Tel: +86-755-8981 8866 Fax: +86-755-8427 6832

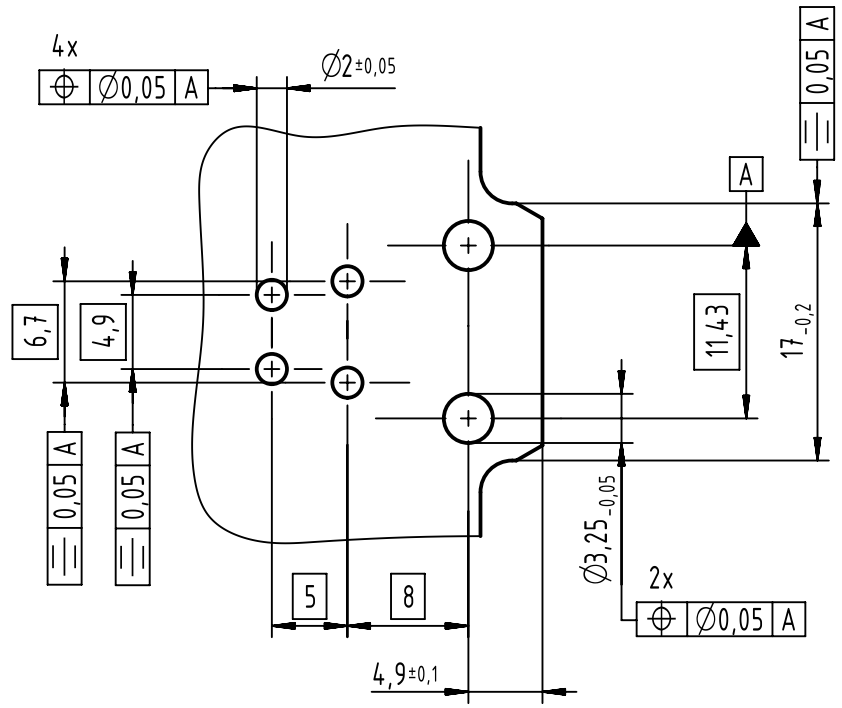
Email & Skype: info@chipsmall.com Web: www.chipsmall.com

Address: A1208, Overseas Decoration Building, #122 Zhenhua RD., Futian, Shenzhen, China

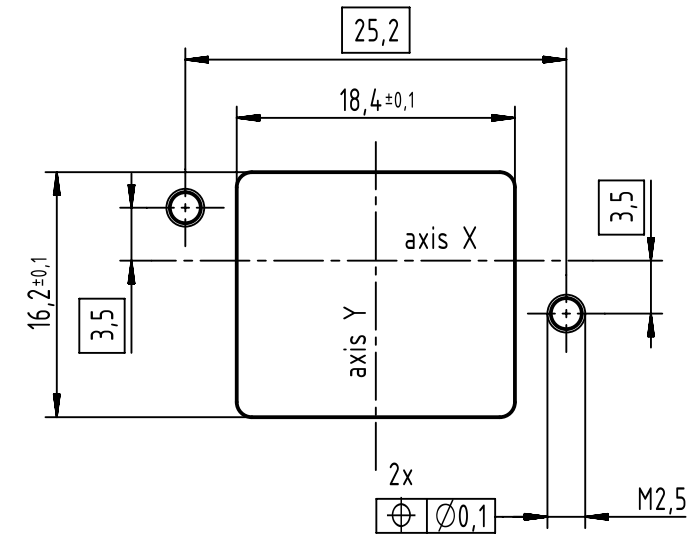




PCB layout

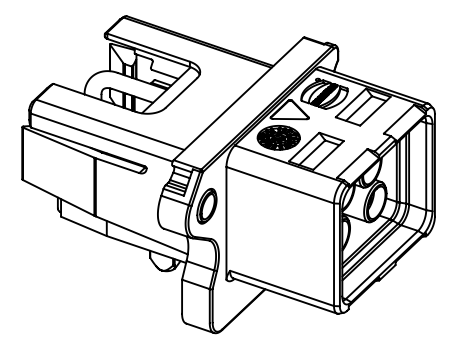


panel cutting



connector pitch on panel:
axis X = 27mm and axis Y = 21mm

panel thickness = max. 5.5mm



1 2x M2.5; screws acc. to ISO 4762;
please order separately; bolting torque 0.3Nm - 0.5Nm

further information see: DS 09466101400

	All Dimensions in mm Original Size DIN A3		Scale 2:1	Free size tol.		Ref. Sub. TB 09462454020 / ECM 500000117442 / 2017-04-07	
	All rights reserved Department EC PD - DE		Created by HASELOH	Inspected by LUECKEMEIERM	Standardisation HOFFMANN	Date 2017-10-06	State Final Release
HARTING Electronics GmbH D-32339 Espelkamp		Title HARTING PushPull V4 Compact Housing 48V/12A				Doc-Key / ECM-Nr. 100671824/UGD/000/C 500000126225	
		Type TB	Number 09462454020		Rev. C	Page 1/1	