



Chipsmall Limited consists of a professional team with an average of over 10 year of expertise in the distribution of electronic components. Based in Hongkong, we have already established firm and mutual-benefit business relationships with customers from,Europe,America and south Asia,supplying obsolete and hard-to-find components to meet their specific needs.

With the principle of "Quality Parts,Customers Priority,Honest Operation,and Considerate Service",our business mainly focus on the distribution of electronic components. Line cards we deal with include Microchip,ALPS,ROHM,Xilinx,Pulse,ON,Everlight and Freescale. Main products comprise IC,Modules,Potentiometer,IC Socket,Relay,Connector.Our parts cover such applications as commercial,industrial, and automotives areas.

We are looking forward to setting up business relationship with you and hope to provide you with the best service and solution. Let us make a better world for our industry!



Contact us

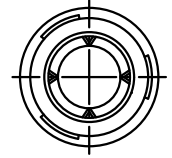
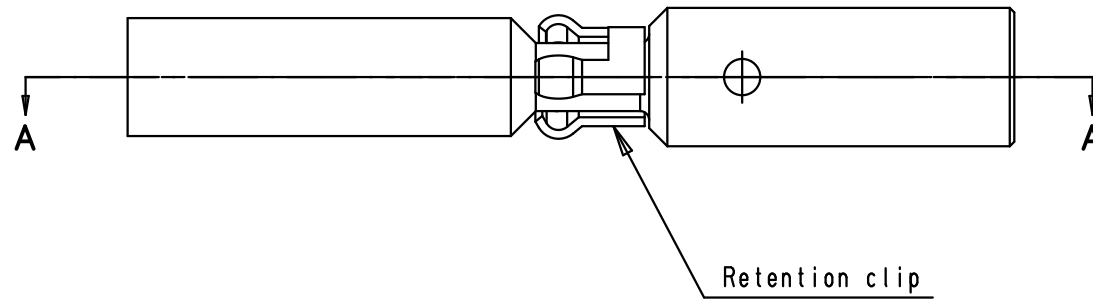
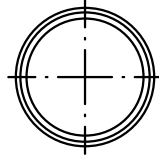
Tel: +86-755-8981 8866 Fax: +86-755-8427 6832

Email & Skype: info@chipsmall.com Web: www.chipsmall.com

Address: A1208, Overseas Decoration Building, #122 Zhenhua RD., Futian, Shenzhen, China

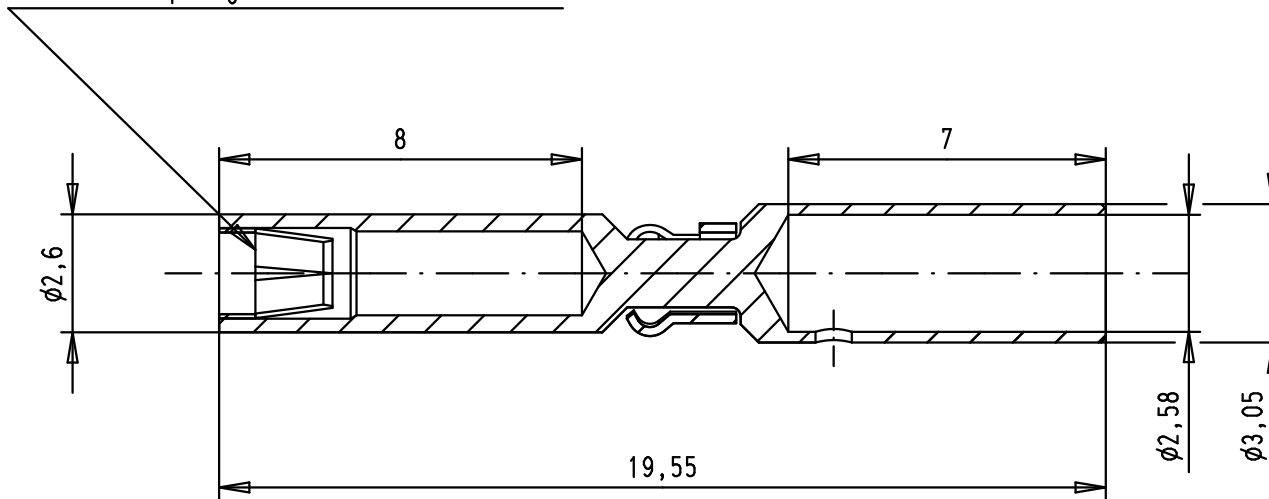


Alle Rechte vorbehalten/ All rights reserved



SECTION A-A:

Standard spring for contact retention



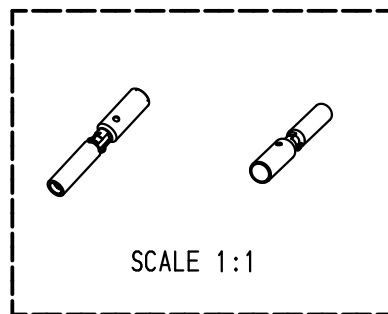
STRIPPING LENGTH: 7mm

MATERIAL:

- contact: brass
- standard spring: CuBe
- retention clip: stainless stell

PLATING:

- contact: Sn/Ni
- standard spring: Au/Ni
- retention clip: raw material



SCALE 1:1

All dimensions are before plating

			Det.	Name		FEMALE POWER CONTACT CRIMP AWG 12	Moßstab/ Scale 6:1	
			Detail.	22/08/08				AB
			Insp.					
			Stand.			Orig. Size DIN A 3		
35287	22/08/08	AB	HARTING EURL F-95972 Paris			TB 09 46 500 0406	Blatt/ Page 1 / 1	
Mod.	Det.	Name						Sub.