



Chipsmall Limited consists of a professional team with an average of over 10 year of expertise in the distribution of electronic components. Based in Hongkong, we have already established firm and mutual-benefit business relationships with customers from,Europe,America and south Asia,supplying obsolete and hard-to-find components to meet their specific needs.

With the principle of “Quality Parts,Customers Priority,Honest Operation,and Considerate Service”,our business mainly focus on the distribution of electronic components. Line cards we deal with include Microchip,ALPS,ROHM,Xilinx,Pulse,ON,Everlight and Freescale. Main products comprise IC,Modules,Potentiometer,IC Socket,Relay,Connector.Our parts cover such applications as commercial,industrial, and automotives areas.

We are looking forward to setting up business relationship with you and hope to provide you with the best service and solution. Let us make a better world for our industry!



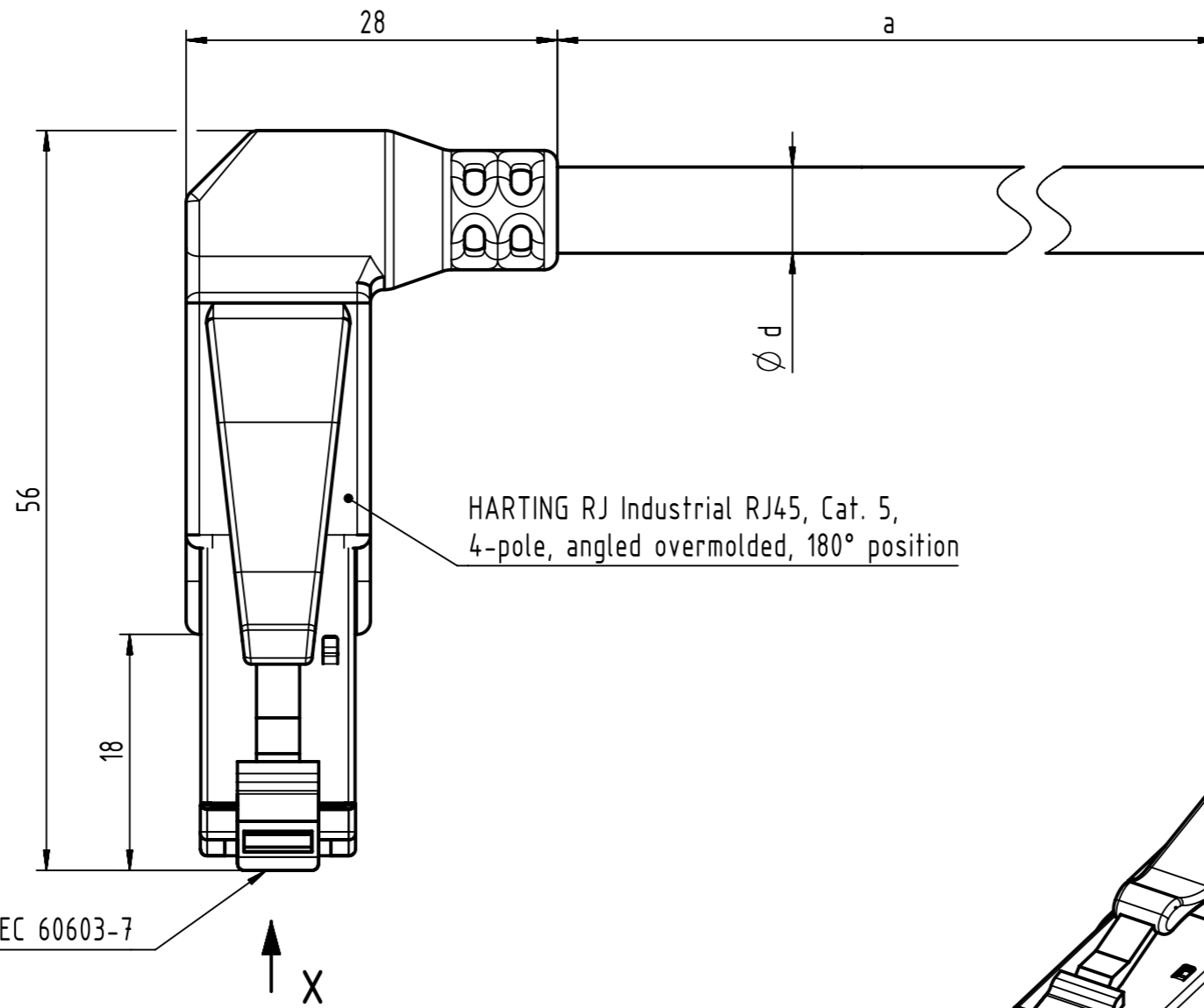
## Contact us

Tel: +86-755-8981 8866 Fax: +86-755-8427 6832

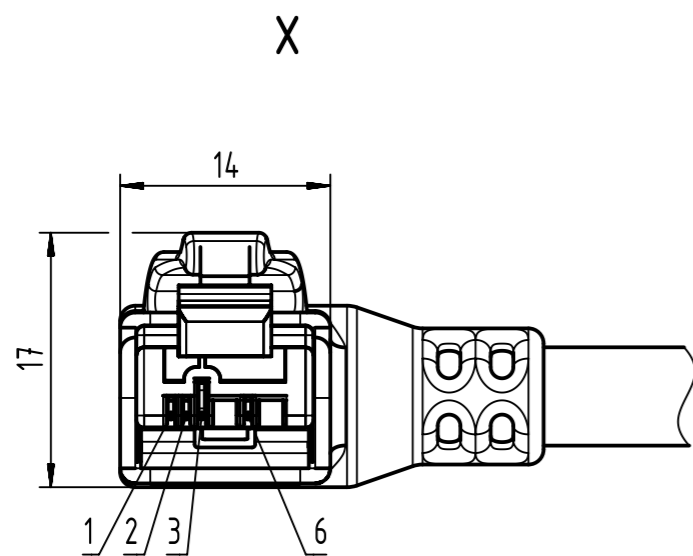
Email & Skype: info@chipsmall.com Web: www.chipsmall.com

Address: A1208, Overseas Decoration Building, #122 Zhenhua RD., Futian, Shenzhen, China

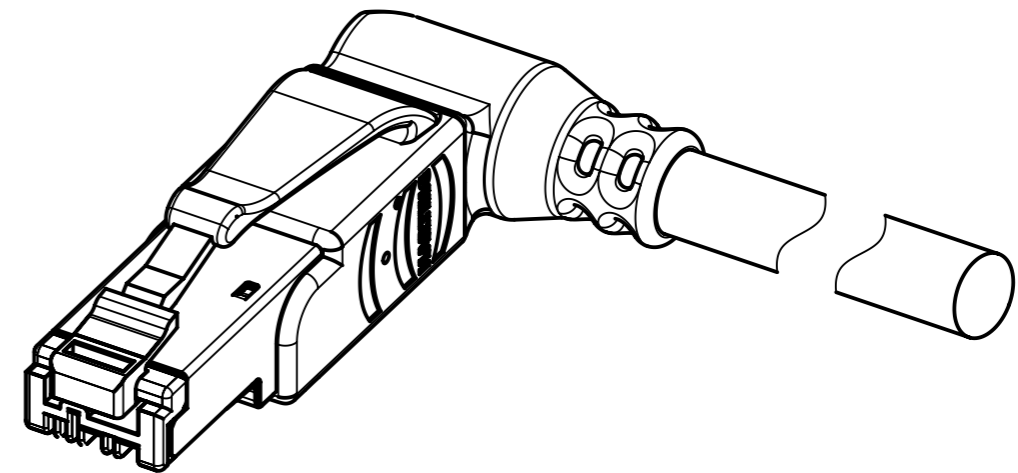
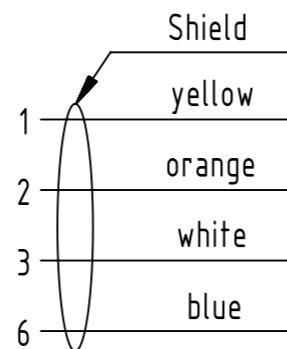




Mating face RJ45 acc. to IEC 60603-7



Loading-Plan:



- Protection level: IP20
- Temperature range: -40°C ... +70°C

	All rights reserved		Created by		Inspected by		Standardisation		Date		State	
	Department EC PD - RO		MUNTEANV		AVRAM		HOFFMANN		2016-01-25		Final Release	
HARTING Electronics GmbH		Title						Doc-Key / ECM-Nr.		Rev.		Page
D-32339 Espelkamp		RJ Industrial Cable Assembly						100081066/UGD/014/D		D	1/2	
		Type		Number								
		TB		094705000XX								

1		2		3		4		5		6		7		8								
A	52	09470500052	RJ45 Ethernet trailing cable, AWG22/7, 2x2x0.75, PUR, Cat. 5+, green	6.5±0.2	6	RJ45 Ha-VIS EtherRail flexible data cable, AWG 22/7, 4x0.25, Cat. 5/5e, black	6.6±0.2	1.5	89	09470500089	RJ45 Ethernet stranded cable, AWG22/7, 2x2x0.75, outdoor, PVC, Cat. 5+, black	6.5±0.2	100	100								
	51	09470500051			5		90	90														
	50	09470500050			4		80	80														
	49	09470500049			3		70	70														
	48	09470500048			2		60	60														
	47	09470500047			1.5		50	50														
	46	09470500046			1		40	40														
	45	09470500045			0.5		30	30														
	44	09470500044			100		20	20														
	43	09470500043			90		15	15														
B	42	09470500042	RJ45 Ethernet stranded cable, 4xAWG22/7, PVC, Cat. 5+, green	6.5±0.2	80	RJ45 Ethernet trailing cable, AWG22/7, 2x2x0.75, PUR, Cat. 5+, green	6.5±0.2	10	78	09470500078	RJ45 Ethernet standard cable, AWG22/1, 2x2x0.64, PVC, Cat. 5+, green	6.5±0.2	9	9								
	41	09470500041			70					9					9							
	40	09470500040			60					8					8							
	39	09470500039			50					7					7							
	38	09470500038			40					6					6							
	37	09470500037			30					5					5							
	36	09470500036			20					4					4							
	35	09470500035			15					3					3							
	34	09470500034			10					2					2							
	33	09470500033			9					1.5					1.5							
C	32	09470500032	RJ45 Ethernet standard cable, AWG22/1, 2x2x0.64, PVC, Cat. 5+, green	6.5±0.2	8	RJ45 Ethernet trailing cable, AWG22/7, 2x2x0.75, PUR, Cat. 5+, green	6.5±0.2	0.5	67	09470500067	RJ45 Ethernet standard cable, AWG22/1, 2x2x0.64, PVC, Cat. 5+, green	6.5±0.2	100	100								
	31	09470500031			7					100					100							
	30	09470500030			6					90					90							
	29	09470500029			5					80					80							
	28	09470500028			4					70					70							
	27	09470500027			3					60					60							
	26	09470500026			2					50					50							
	25	09470500025			1.5					40					40							
	24	09470500024			1					30					30							
	23	09470500023			0.5					20					20							
D	22	09470500022	RJ45 Ethernet standard cable, AWG22/1, 2x2x0.64, PVC, Cat. 5+, green	6.5±0.2	100	RJ45 Ethernet trailing cable, AWG22/7, 2x2x0.75, PUR, Cat. 5+, green	6.5±0.2	10	56	09470500056	RJ45 Ethernet standard cable, AWG22/1, 2x2x0.64, PVC, Cat. 5+, green	6.5±0.2	9	9								
	21	09470500021			90					9					9							
	20	09470500020			80					8					8							
	19	09470500019			70					7					7							
	18	09470500018			60					6					6							
	17	09470500017			50					5					5							
	16	09470500016			40					4					4							
	15	09470500015			30					3					3							
	14	09470500014			20					2					2							
	13	09470500013			15					1.5					1.5							
E	12	09470500012	RJ45 Ethernet standard cable, AWG22/1, 2x2x0.64, PVC, Cat. 5+, green	6.5±0.2	10	RJ45 Ethernet trailing cable, AWG22/7, 2x2x0.75, PUR, Cat. 5+, green	6.5±0.2	9	55	09470500055	RJ45 Ethernet standard cable, AWG22/1, 2x2x0.64, PVC, Cat. 5+, green	6.5±0.2	8	8								
	11	09470500011			9					8					8							
	10	09470500010			8					7					7							
	9	09470500009			7					6					6							
	8	09470500008			6					5					5							
	7	09470500007			5					4					4							
	6	09470500006			4					3					3							
	5	09470500005			3					2					2							
	4	09470500004			2					1.5					1.5							
	3	09470500003			1.5					1					1							
F	2	09470500002	RJ45 Ethernet standard cable, AWG22/1, 2x2x0.64, PVC, Cat. 5+, green	6.5±0.2	1	RJ45 Ethernet trailing cable, AWG22/7, 2x2x0.75, PUR, Cat. 5+, green	6.5±0.2	0.5	54	09470500054	RJ45 Ethernet standard cable, AWG22/1, 2x2x0.64, PVC, Cat. 5+, green	6.5±0.2	7	7								
	1	09470500001			0.5					0.5					0.5							
	Cont. no.	Part no.			Type of cable					Dim. d [mm]					Dim. a [m]	Cont. no.	Part no.	Type of cable	Dim. d [mm]	Dim. a [m]		
					All Dimensions in mm Original Size DIN A3					Scale 1:1					Free size tol.		Ref. Sub.					
					All rights reserved Department EC PD - RO					Created by MUNTEANV					Inspected by AVRAM	Standardisation HOFFMANN	Date 2016-01-25	State Final Release				
					HARTING Electronics GmbH D-32339 Espelkamp					Title RJ Industrial Cable Assembly					Doc-Key / ECM-Nr. 100081066/UGD/014/D 50000099449		Rev. D		Page 2/2			
										Type TB					Number 094705000XX							