



Chipsmall Limited consists of a professional team with an average of over 10 year of expertise in the distribution of electronic components. Based in Hongkong, we have already established firm and mutual-benefit business relationships with customers from,Europe,America and south Asia,supplying obsolete and hard-to-find components to meet their specific needs.

With the principle of “Quality Parts,Customers Priority,Honest Operation,and Considerate Service”,our business mainly focus on the distribution of electronic components. Line cards we deal with include Microchip,ALPS,ROHM,Xilinx,Pulse,ON,Everlight and Freescale. Main products comprise IC,Modules,Potentiometer,IC Socket,Relay,Connector.Our parts cover such applications as commercial,industrial, and automotives areas.

We are looking forward to setting up business relationship with you and hope to provide you with the best service and solution. Let us make a better world for our industry!



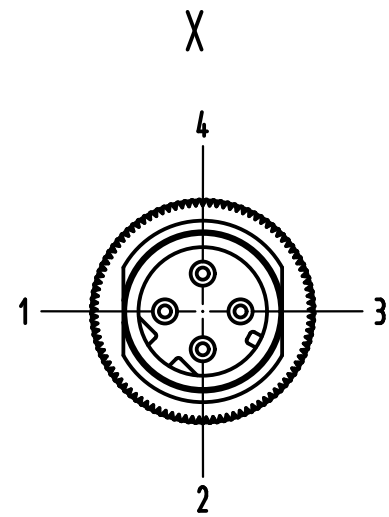
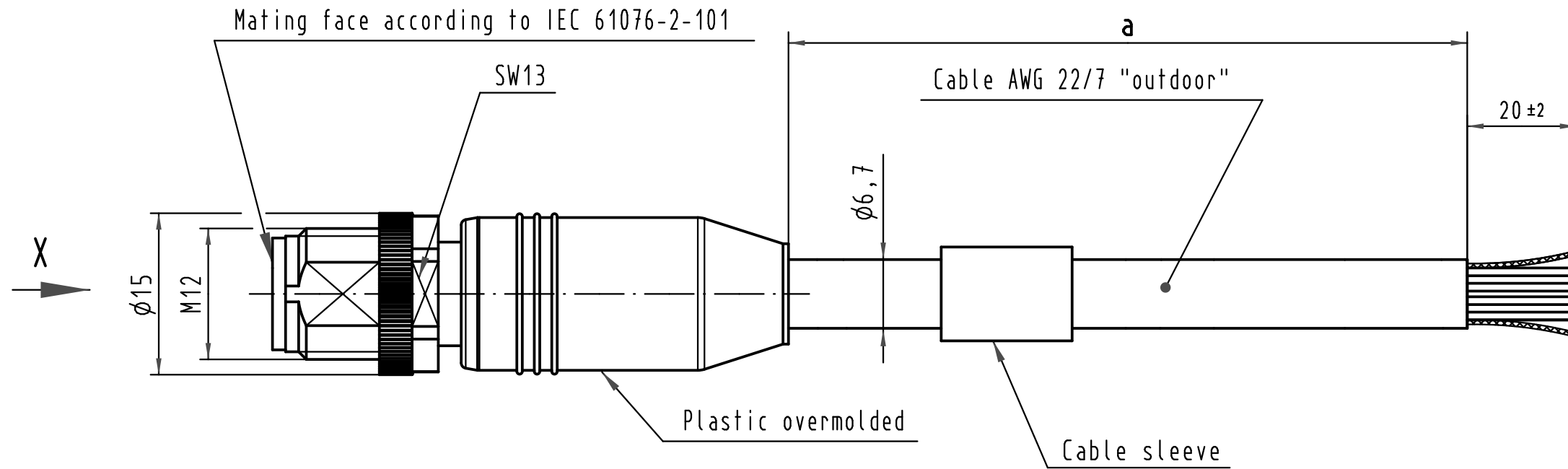
Contact us

Tel: +86-755-8981 8866 Fax: +86-755-8427 6832

Email & Skype: info@chipsmall.com Web: www.chipsmall.com

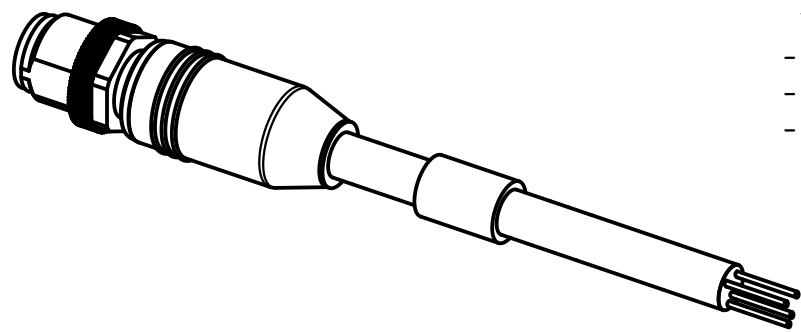
Address: A1208, Overseas Decoration Building, #122 Zhenhua RD., Futian, Shenzhen, China





Loading-Plan:

- Shield
- 1 yellow
- 2 white
- 3 orange
- 4 blue



-Transmission properties in accordance with ISO/IEC 11801:2002: Class D
 -Temperature range: -20°C ...+60°C
 -Protection level: IP67
 -Recommended breakaway torque for the screw M12x1 - 0,6Nm

11	09 47 22 00 023	AWG 22/7 outdoor PVC	25 m
10	09 47 22 00 022	AWG 22/7 outdoor PVC	7,5 m
9	09 47 22 00 015	AWG 22/7 outdoor PVC	40 m
8	09 47 22 00 013	AWG 22/7 outdoor PVC	20 m
7	09 47 22 00 012	AWG 22/7 outdoor PVC	15 m
6	09 47 22 00 011	AWG 22/7 outdoor PVC	10 m
5	09 47 22 00 006	AWG 22/7 outdoor PVC	5 m
4	09 47 22 00 005	AWG 22/7 outdoor PVC	3 m
3	09 47 22 00 004	AWG 22/7 outdoor PVC	2 m
2	09 47 22 00 003	AWG 22/7 outdoor PVC	1,5 m
1	09 47 22 00 002	AWG 22/7 outdoor PVC	1 m

Cont. no.	Part-No.	Type of cable	Dim. a[m]
-----------	----------	---------------	-----------

All Dimensions in mm Original Size DIN A 3		Techn. Character.		Nicht tolerierte Maß/Free size tolerances	
		Dat. Name Maßstab/Scale		M12 cord, 1xM12 overmolded, D-coded 4xAWG 22/7, CAT5	
		Detail. 03.03.09 MR			
		Insp. 03.03.09 RA			
		Stand.			
DRS 475A		HARTING Electronics GmbH & Co. KG D-32339 ESPELKAMP		TB 09 47 22 00 xxx	
Mod. Dat. Name				Blatt/ page Sub. Sub	