



Chipsmall Limited consists of a professional team with an average of over 10 year of expertise in the distribution of electronic components. Based in Hongkong, we have already established firm and mutual-benefit business relationships with customers from,Europe,America and south Asia,supplying obsolete and hard-to-find components to meet their specific needs.

With the principle of "Quality Parts,Customers Priority,Honest Operation,and Considerate Service",our business mainly focus on the distribution of electronic components. Line cards we deal with include Microchip,ALPS,ROHM,Xilinx,Pulse,ON,Everlight and Freescale. Main products comprise IC,Modules,Potentiometer,IC Socket,Relay,Connector.Our parts cover such applications as commercial,industrial, and automotives areas.

We are looking forward to setting up business relationship with you and hope to provide you with the best service and solution. Let us make a better world for our industry!



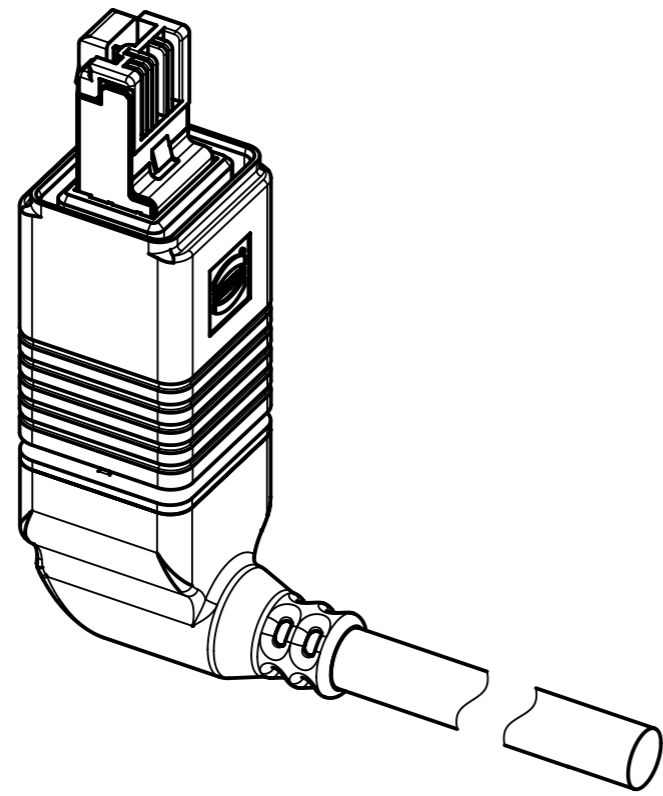
Contact us

Tel: +86-755-8981 8866 Fax: +86-755-8427 6832

Email & Skype: info@chipsmall.com Web: www.chipsmall.com

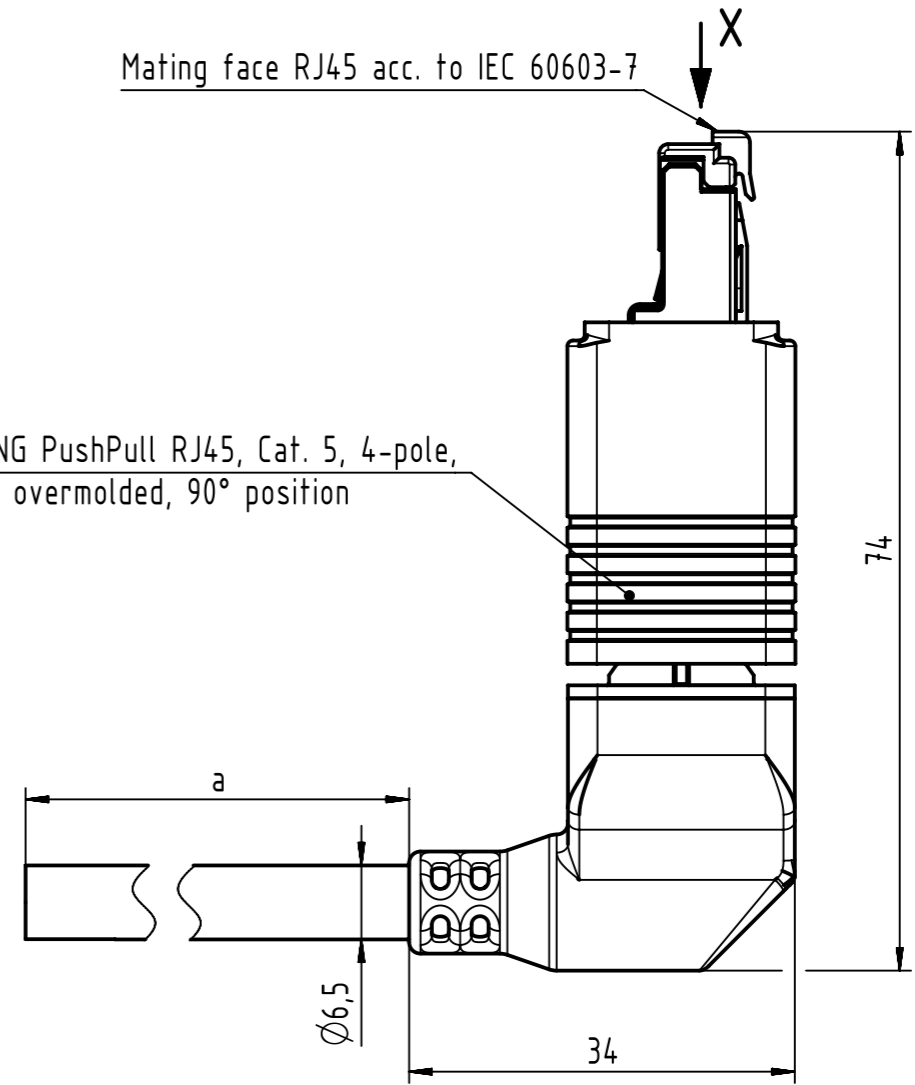
Address: A1208, Overseas Decoration Building, #122 Zhenhua RD., Futian, Shenzhen, China



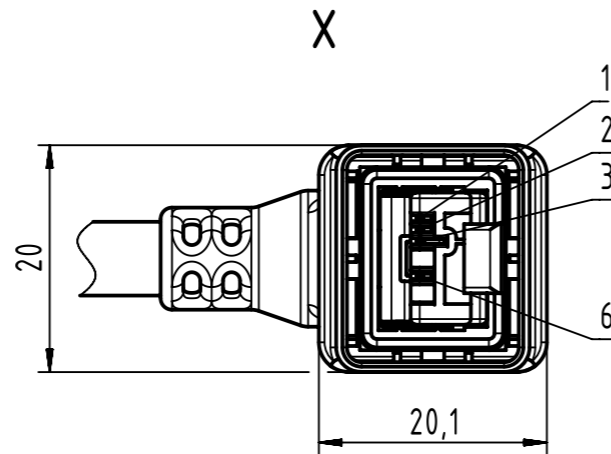
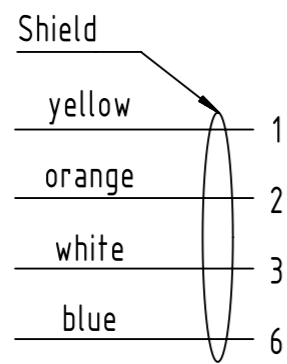


HARTING PushPull RJ45, Cat. 5, 4-pole, angled overmolded, 90° position

Mating face RJ45 acc. to IEC 60603-7



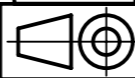
Loading-Plan:



- Protection level: IP65/67
- Temperature range: -40°C ... +70°C

	All rights reserved Department EC PD - RO	All Dimensions in mm Original Size DIN A3		Scale 1.5:1	Free size tol.	Ref.
		Created by MUNTEANV	Inspected by AVRAM	Standardisation HOFFMANN	Date 2016-03-03	State Final Release
HARTING Electronics GmbH D-32339 Espelkamp		Title HARTING PushPull RJ45 Cable Assembly			Doc-Key / ECM-Nr. 100084477/UGD/008/C 500000101154	
		Type TB	Number 09473700XXX		Rev. C	Page 1/2

	1	2	3	4	5	6	7	8	
A									
B	44	09473700044	RJ45 Ethernet stranded cable, 4xAWG22/7, PVC, Cat. 5+, green	100	88	09473700088	RJ45 Ethernet stranded cable, AWG22/7, 2x2x0.75, outdoor, PVC, Cat. 5+, black	100	
	43	09473700043		90	87	09473700087		90	
	42	09473700042		80	86	09473700086		80	
	41	09473700041		70	85	09473700085		70	
	40	09473700040		60	84	09473700084		60	
	39	09473700039		50	83	09473700083		50	
	38	09473700038		40	82	09473700082		40	
	37	09473700037		30	81	09473700081		30	
	36	09473700036		20	80	09473700080		20	
	35	09473700035		15	79	09473700079		15	
	34	09473700034		10	78	09473700078		10	
	33	09473700033		9	77	09473700077		9	
	32	09473700032		8	76	09473700076		8	
	31	09473700031		7	75	09473700075		7	
	30	09473700030		6	74	09473700074		6	
	29	09473700029		5	73	09473700073		5	
	28	09473700028		4	72	09473700072		4	
	27	09473700027		3	71	09473700071		3	
	26	09473700026		2	70	09473700070		2	
	25	09473700025		1.5	69	09473700069		1.5	
	24	09473700024		1	68	09473700068		1	
	23	09473700023		0.5	67	09473700067		0.5	
	22	09473700022		100	66	09473700066		100	
D	21	09473700021		90	65	09473700065		90	
	20	09473700020		80	64	09473700064		80	
	19	09473700019		70	63	09473700063		70	
	18	09473700018		60	62	09473700062		60	
	17	09473700017	50	61	09473700061	50			
	16	09473700016	40	60	09473700060	40			
	15	09473700015	30	59	09473700059	30			
	14	09473700014	20	58	09473700058	20			
	13	09473700013	15	57	09473700057	15			
	12	09473700012	10	56	09473700056	10			
E	11	09473700011	9	55	09473700055	9			
	10	09473700010	8	54	09473700054	8			
	9	09473700009	7	53	09473700053	7			
	8	09473700008	6	52	09473700052	6			
	7	09473700007	5	51	09473700051	5			
	6	09473700006	4	50	09473700050	4			
	5	09473700005	3	49	09473700049	3			
	4	09473700004	2	48	09473700048	2			
	3	09473700003	1.5	47	09473700047	1.5			
	2	09473700002	1	46	09473700046	1			
	1	09473700001	0.5	45	09473700045	0.5			
F	Cont. no.	Part no.	Type of cable	Dim. a[m]	Cont. no.	Part no.	Type of cable	Dim. a[m]	

	All rights reserved Department EC PD - RO	All Dimensions in mm Original Size DIN A3	Scale 1:1	Free size tol.	Ref. Sub.
		Created by MUNTEANV	Inspected by AVRAM	Standardisation HOFFMANN	Date 2016-03-03
		Title HARTING PushPull RJ45 Cable Assembly			State Final Release
		Doc-Key / ECM-Nr. 100084477/UGD/008/C 500000101154			Rev. C
		Type TB			Page 2/2
		Number 09473700XXX			