



Chipsmall Limited consists of a professional team with an average of over 10 year of expertise in the distribution of electronic components. Based in Hongkong, we have already established firm and mutual-benefit business relationships with customers from,Europe,America and south Asia,supplying obsolete and hard-to-find components to meet their specific needs.

With the principle of “Quality Parts,Customers Priority,Honest Operation,and Considerate Service”,our business mainly focus on the distribution of electronic components. Line cards we deal with include Microchip,ALPS,ROHM,Xilinx,Pulse,ON,Everlight and Freescale. Main products comprise IC,Modules,Potentiometer,IC Socket,Relay,Connector.Our parts cover such applications as commercial,industrial, and automotives areas.

We are looking forward to setting up business relationship with you and hope to provide you with the best service and solution. Let us make a better world for our industry!



## Contact us

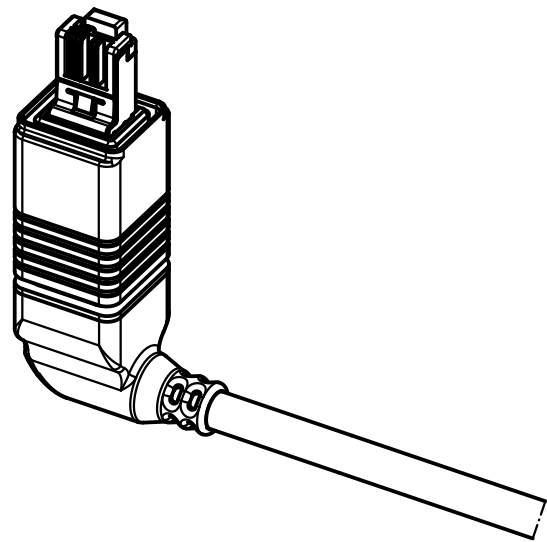
Tel: +86-755-8981 8866 Fax: +86-755-8427 6832

Email & Skype: info@chipsmall.com Web: www.chipsmall.com

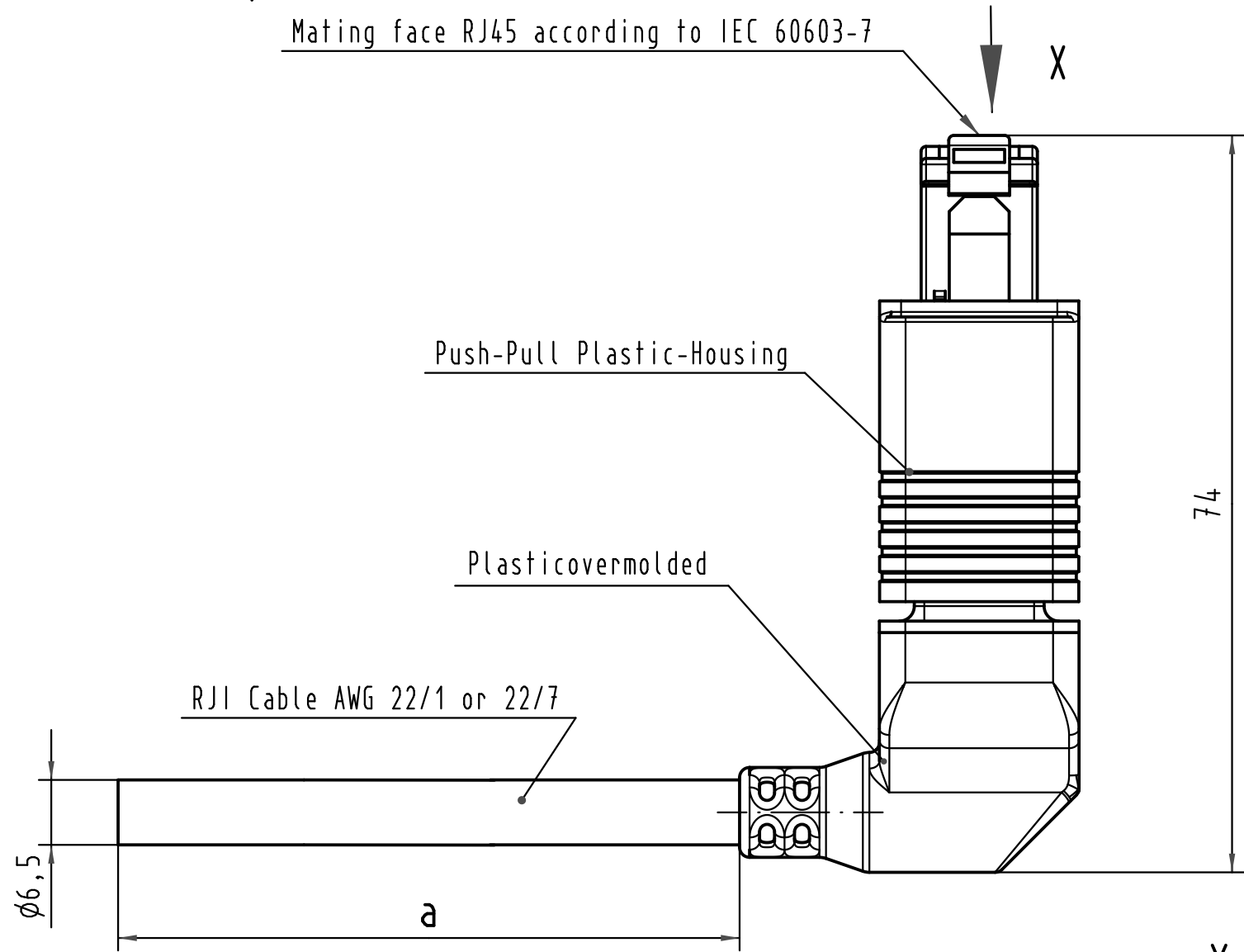
Address: A1208, Overseas Decoration Building, #122 Zhenhua RD., Futian, Shenzhen, China



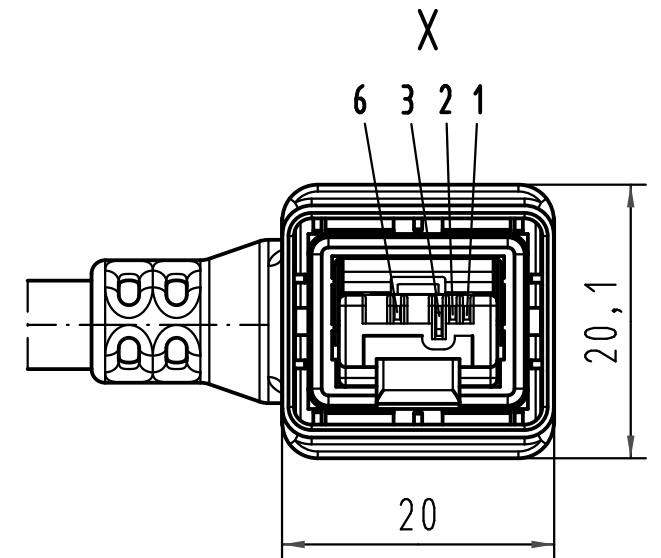
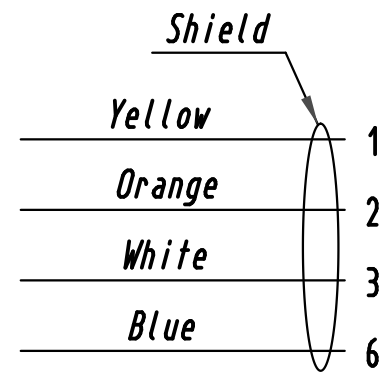
Alle Rechte vorbehalten/ All rights reserved



Mating face RJ45 according to IEC 60603-7



**Loading-Plan**

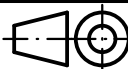



-Transmission properties in accordance with ISO/IEC 11801:2002; Class D.  
 -Protection level: IP67/65  
 -Temperature range: -40°C ...+60°C

All Dimensions in mm Original Size DIN A 3		Techn. Character.			Nicht tolerierte Maß/Free size tolerances	
		Dat.	Name	Maßstab/Scale	RJ45 cord 1xPush Pull overmolded, angled, 0°pos., 4xAWG22, IP67, CAT5	
		Detail.	02.08.06 RA			
		Insp.				
		Stand.				
DRS490A	06.04.09 MS	HARTING Electronics GmbH & Co. KG D-32339 ESPELKAMP				TB 09 47 39 00 0xx
33681						
Mod.	Dat.	Name				Sub.

Alle Rechte vorbehalten/ All rights reserved

1				2				3				4				5				6				7				8			
cont-No.	Part-No.	Type of cable	Dim. a													cont-No.	Part-No.	Type of cable	Dim. a												
A	1	09 47 39 00 001	AWG 22/1 solid	0,5 m													51	09 47 39 00 051	AWG 22/7 trailing	5 m	A										
	2	09 47 39 00 002	AWG 22/1 solid	1 m													52	09 47 39 00 052	AWG 22/7 trailing	6 m											
	3	09 47 39 00 003	AWG 22/1 solid	1,5 m													53	09 47 39 00 053	AWG 22/7 trailing	7 m											
	4	09 47 39 00 004	AWG 22/1 solid	2 m													54	09 47 39 00 054	AWG 22/7 trailing	8 m											
	5	09 47 39 00 005	AWG 22/1 solid	3 m													55	09 47 39 00 055	AWG 22/7 trailing	9 m											
	6	09 47 39 00 006	AWG 22/1 solid	4 m													56	09 47 39 00 056	AWG 22/7 trailing	10 m											
	7	09 47 39 00 007	AWG 22/1 solid	5 m													57	09 47 39 00 057	AWG 22/7 trailing	15 m											
	8	09 47 39 00 008	AWG 22/1 solid	6 m													58	09 47 39 00 058	AWG 22/7 trailing	20 m											
	9	09 47 39 00 009	AWG 22/1 solid	7 m													59	09 47 39 00 059	AWG 22/7 trailing	30 m											
B	10	09 47 39 00 010	AWG 22/1 solid	8 m													60	09 47 39 00 060	AWG 22/7 trailing	40 m	B										
	11	09 47 39 00 011	AWG 22/1 solid	9 m													61	09 47 39 00 061	AWG 22/7 trailing	50 m											
	12	09 47 39 00 012	AWG 22/1 solid	10 m													62	09 47 39 00 062	AWG 22/7 trailing	60 m											
	13	09 47 39 00 013	AWG 22/1 solid	15 m													63	09 47 39 00 063	AWG 22/7 trailing	70 m											
	14	09 47 39 00 014	AWG 22/1 solid	20 m													64	09 47 39 00 064	AWG 22/7 trailing	80 m											
	15	09 47 39 00 015	AWG 22/1 solid	30 m													65	09 47 39 00 065	AWG 22/7 trailing	90 m											
	16	09 47 39 00 016	AWG 22/1 solid	40 m													66	09 47 39 00 066	AWG 22/7 trailing	100 m											
	17	09 47 39 00 017	AWG 22/1 solid	50 m													67	09 47 39 00 067	AWG 22/7 "outdoor"	0,5 m											
	18	09 47 39 00 018	AWG 22/1 solid	60 m													68	09 47 39 00 068	AWG 22/7 "outdoor"	1 m											
	19	09 47 39 00 019	AWG 22/1 solid	70 m													69	09 47 39 00 069	AWG 22/7 "outdoor"	1,5 m											
C	20	09 47 39 00 020	AWG 22/1 solid	80 m													70	09 47 39 00 070	AWG 22/7 "outdoor"	2 m	C										
	21	09 47 39 00 021	AWG 22/1 solid	90 m													71	09 47 39 00 071	AWG 22/7 "outdoor"	3 m											
	22	09 47 39 00 022	AWG 22/1 solid	100 m													72	09 47 39 00 072	AWG 22/7 "outdoor"	4 m											
	23	09 47 39 00 023	AWG 22/7 stranded	0,5 m													73	09 47 39 00 073	AWG 22/7 "outdoor"	5 m											
	24	09 47 39 00 024	AWG 22/7 stranded	1 m													74	09 47 39 00 074	AWG 22/7 "outdoor"	6 m											
	25	09 47 39 00 025	AWG 22/7 stranded	1,5 m													75	09 47 39 00 075	AWG 22/7 "outdoor"	7 m											
	26	09 47 39 00 026	AWG 22/7 stranded	2 m													76	09 47 39 00 076	AWG 22/7 "outdoor"	8 m											
	27	09 47 39 00 027	AWG 22/7 stranded	3 m													77	09 47 39 00 077	AWG 22/7 "outdoor"	9 m											
	28	09 47 39 00 028	AWG 22/7 stranded	4 m													78	09 47 39 00 078	AWG 22/7 "outdoor"	10 m											
D	29	09 47 39 00 029	AWG 22/7 stranded	5 m													79	09 47 39 00 079	AWG 22/7 "outdoor"	15 m	D										
	30	09 47 39 00 030	AWG 22/7 stranded	6 m													80	09 47 39 00 080	AWG 22/7 "outdoor"	20 m											
	31	09 47 39 00 031	AWG 22/7 stranded	7 m													81	09 47 39 00 081	AWG 22/7 "outdoor"	30 m											
	32	09 47 39 00 032	AWG 22/7 stranded	8 m													82	09 47 39 00 082	AWG 22/7 "outdoor"	40 m											
	33	09 47 39 00 033	AWG 22/7 stranded	9 m													83	09 47 39 00 083	AWG 22/7 "outdoor"	50 m											
	34	09 47 39 00 034	AWG 22/7 stranded	10 m													84	09 47 39 00 084	AWG 22/7 "outdoor"	60 m											
	35	09 47 39 00 035	AWG 22/7 stranded	15 m													85	09 47 39 00 085	AWG 22/7 "outdoor"	70 m											
	36	09 47 39 00 036	AWG 22/7 stranded	20 m													86	09 47 39 00 086	AWG 22/7 "outdoor"	80 m											
	37	09 47 39 00 037	AWG 22/7 stranded	30 m													87	09 47 39 00 087	AWG 22/7 "outdoor"	90 m											
E	38	09 47 39 00 038	AWG 22/7 stranded	40 m													88	09 47 39 00 088	AWG 22/7 "outdoor"	100 m	E										
	39	09 47 39 00 039	AWG 22/7 stranded	50 m																											
	40	09 47 39 00 040	AWG 22/7 stranded	60 m																											
	41	09 47 39 00 041	AWG 22/7 stranded	70 m																											
	42	09 47 39 00 042	AWG 22/7 stranded	80 m																											
	43	09 47 39 00 043	AWG 22/7 stranded	90 m																											
	44	09 47 39 00 044	AWG 22/7 stranded	100 m																											
	45	09 47 39 00 045	AWG 22/7 trailing	0,5 m																											
	46	09 47 39 00 046	AWG 22/7 trailing	1 m																											
	47	09 47 39 00 047	AWG 22/7 trailing	1,5 m																											
F	48	09 47 39 00 048	AWG 22/7 trailing	2 m																											
	49	09 47 39 00 049	AWG 22/7 trailing	3 m																											
	50	09 47 39 00 050	AWG 22/7 trailing	4 m																											

 All Dimensions in mm Original Size DIN A 3	Techn. Character.			Nicht tolerierte Maß/Free size tolerances	
		Dat.	Name	 RJI cord 1xPush Pull overmolded, angled, 0°pos., 4xAWG22, IP67, CAT5	
		Detail.	02.08.06 RA		
		Insp.			
	Stand.				
DRS490A	06.04.09	MS	HARTING Electronics GmbH & Co. KG		TB 09 47 39 00 0xx <span style="float: right;">Blatt/ page 2/2</span>
33681			D-32339 ESPELKAMP		
Mod.	Dat.	Name	Sub.		