



Chipsmall Limited consists of a professional team with an average of over 10 year of expertise in the distribution of electronic components. Based in Hongkong, we have already established firm and mutual-benefit business relationships with customers from,Europe,America and south Asia,supplying obsolete and hard-to-find components to meet their specific needs.

With the principle of “Quality Parts,Customers Priority,Honest Operation,and Considerate Service”,our business mainly focus on the distribution of electronic components. Line cards we deal with include Microchip,ALPS,ROHM,Xilinx,Pulse,ON,Everlight and Freescale. Main products comprise IC,Modules,Potentiometer,IC Socket,Relay,Connector.Our parts cover such applications as commercial,industrial, and automotives areas.

We are looking forward to setting up business relationship with you and hope to provide you with the best service and solution. Let us make a better world for our industry!



Contact us

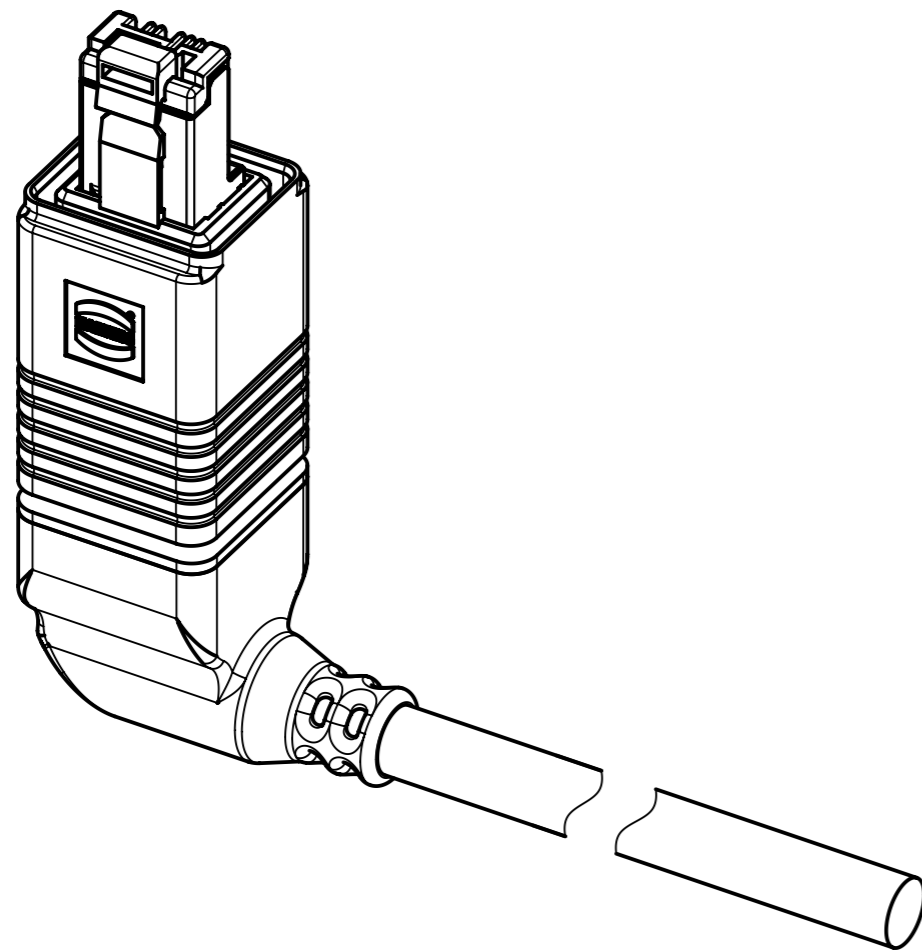
Tel: +86-755-8981 8866 Fax: +86-755-8427 6832

Email & Skype: info@chipsmall.com Web: www.chipsmall.com

Address: A1208, Overseas Decoration Building, #122 Zhenhua RD., Futian, Shenzhen, China

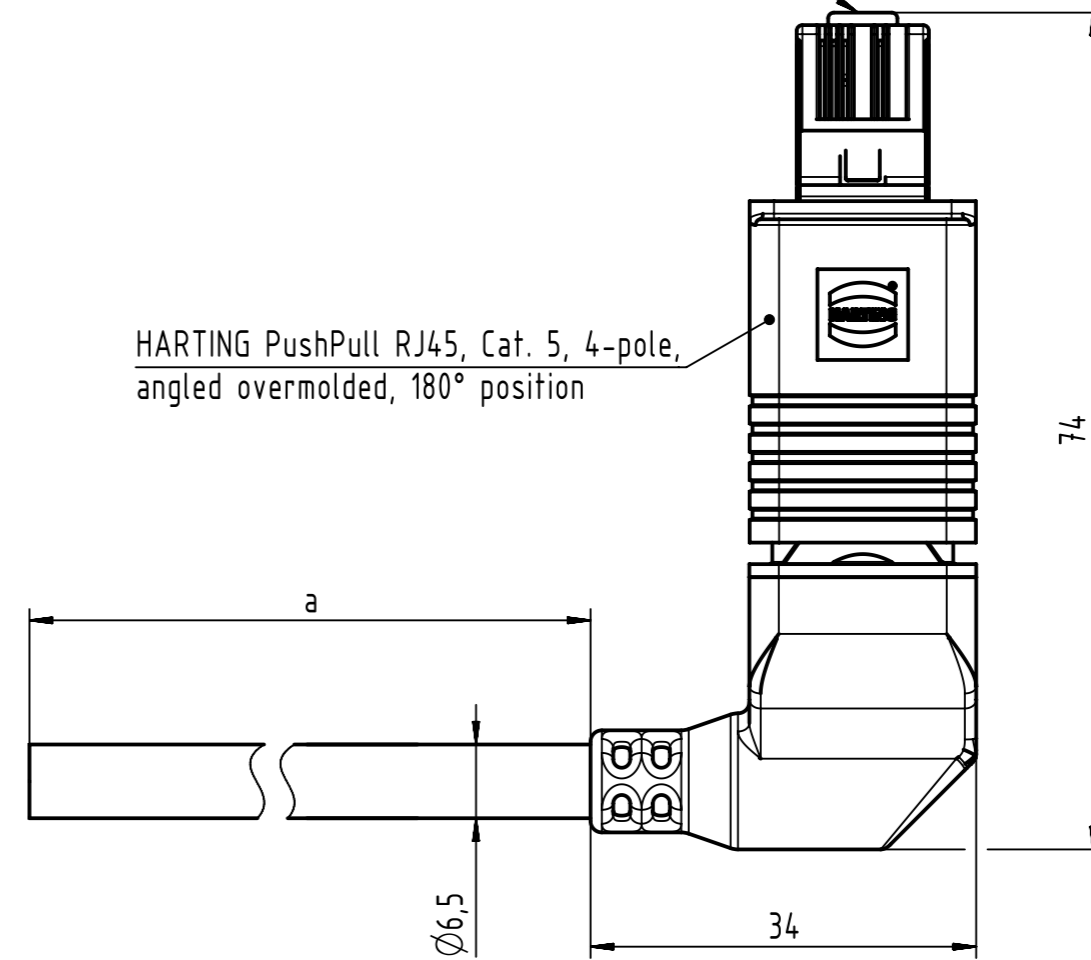


- Protection level: IP65/67
 - Temperature range: -40°C ... +70°C



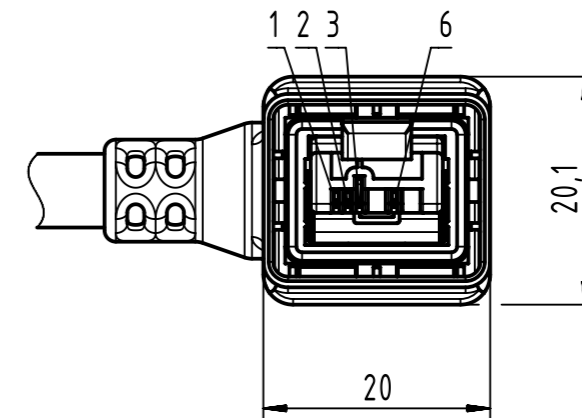
Mating face RJ45 acc. to IEC 60603-7

HARTING PushPull RJ45, Cat. 5, 4-pole, angled overmolded, 180° position




Loading-Plan:

- Shield
- yellow 1
- orange 2
- white 3
- blue 6



	All rights reserved		Created by		Inspected by		Standardisation		Date		State				
	Department EC PD - RO		MUNTEANV		AVRAM		HOFFMANN		2016-03-03		Final Release				
HARTING Electronics GmbH		Title HARTING PushPull RJ45 Cable Assembly										Doc-Key / ECM-Nr.			
D-32339 Espelkamp		Type TB										Number 09474000XXX		500000101154	
												Rev. C		Page 1/2	

	1	2	3	4	5	6	7	8	
A									
B	44	09474000044	RJ45 Ethernet stranded cable, 4xAWG22/7, PVC, Cat. 5+, green	100	88	09474000088	RJ45 Ethernet stranded cable, AWG22/7, 2x2x0.75, outdoor, PVC, Cat. 5+, black	100	
	43	09474000043		90	87	09474000087		90	
	42	09474000042		80	86	09474000086		80	
	41	09474000041		70	85	09474000085		70	
	40	09474000040		60	84	09474000084		60	
	39	09474000039		50	83	09474000083		50	
	38	09474000038		40	82	09474000082		40	
	37	09474000037		30	81	09474000081		30	
	36	09474000036		20	80	09474000080		20	
	35	09474000035		15	79	09474000079		15	
	34	09474000034		10	78	09474000078		10	
	33	09474000033		9	77	09474000077		9	
	32	09474000032		8	76	09474000076		8	
	31	09474000031		7	75	09474000075		7	
	30	09474000030		6	74	09474000074		6	
	29	09474000029		5	73	09474000073		5	
	28	09474000028		4	72	09474000072		4	
	27	09474000027		3	71	09474000071		3	
	26	09474000026		2	70	09474000070		2	
	25	09474000025		1.5	69	09474000069		1.5	
	24	09474000024		1	68	09474000068		1	
	23	09474000023		0.5	67	09474000067		0.5	
C	22	09474000022		100	66	09474000066		100	
D	21	09474000021		90	65	09474000065		90	
	20	09474000020		80	64	09474000064		80	
	19	09474000019		70	63	09474000063		70	
	18	09474000018		60	62	09474000062		60	
	17	09474000017	50	61	09474000061	50			
	16	09474000016	40	60	09474000060	40			
	15	09474000015	30	59	09474000059	30			
	14	09474000014	20	58	09474000058	20			
	13	09474000013	15	57	09474000057	15			
	12	09474000012	10	56	09474000056	10			
	11	09474000011	9	55	09474000055	9			
	10	09474000010	8	54	09474000054	8			
	9	09474000009	7	53	09474000053	7			
	8	09474000008	6	52	09474000052	6			
	7	09474000007	5	51	09474000051	5			
	6	09474000006	4	50	09474000050	4			
	5	09474000005	3	49	09474000049	3			
	4	09474000004	2	48	09474000048	2			
	3	09474000003	1.5	47	09474000047	1.5			
	2	09474000002	1	46	09474000046	1			
	1	09474000001	0.5	45	09474000045	0.5			
F	Cont. no.	Part no.	Type of cable	Dim. a[m]	Cont. no.	Part no.	Type of cable	Dim. a[m]	

	All rights reserved Department EC PD - RO	Created by MUNTEANV	Inspected by AVRAM	Standardisation HOFFMANN	Date 2016-03-03	State Final Release	Ref. Sub.
HARTING Electronics GmbH D-32339 Espelkamp		Title HARTING PushPull RJ45 Cable Assembly			Doc-Key / ECM-Nr. 100155524/UGD/004/C 500000101154		Rev. C
		Type TB	Number 09474000XXX				Page 2/2