



Chipsmall Limited consists of a professional team with an average of over 10 year of expertise in the distribution of electronic components. Based in Hongkong, we have already established firm and mutual-benefit business relationships with customers from,Europe,America and south Asia,supplying obsolete and hard-to-find components to meet their specific needs.

With the principle of “Quality Parts,Customers Priority,Honest Operation,and Considerate Service”,our business mainly focus on the distribution of electronic components. Line cards we deal with include Microchip,ALPS,ROHM,Xilinx,Pulse,ON,Everlight and Freescale. Main products comprise IC,Modules,Potentiometer,IC Socket,Relay,Connector.Our parts cover such applications as commercial,industrial, and automotives areas.

We are looking forward to setting up business relationship with you and hope to provide you with the best service and solution. Let us make a better world for our industry!



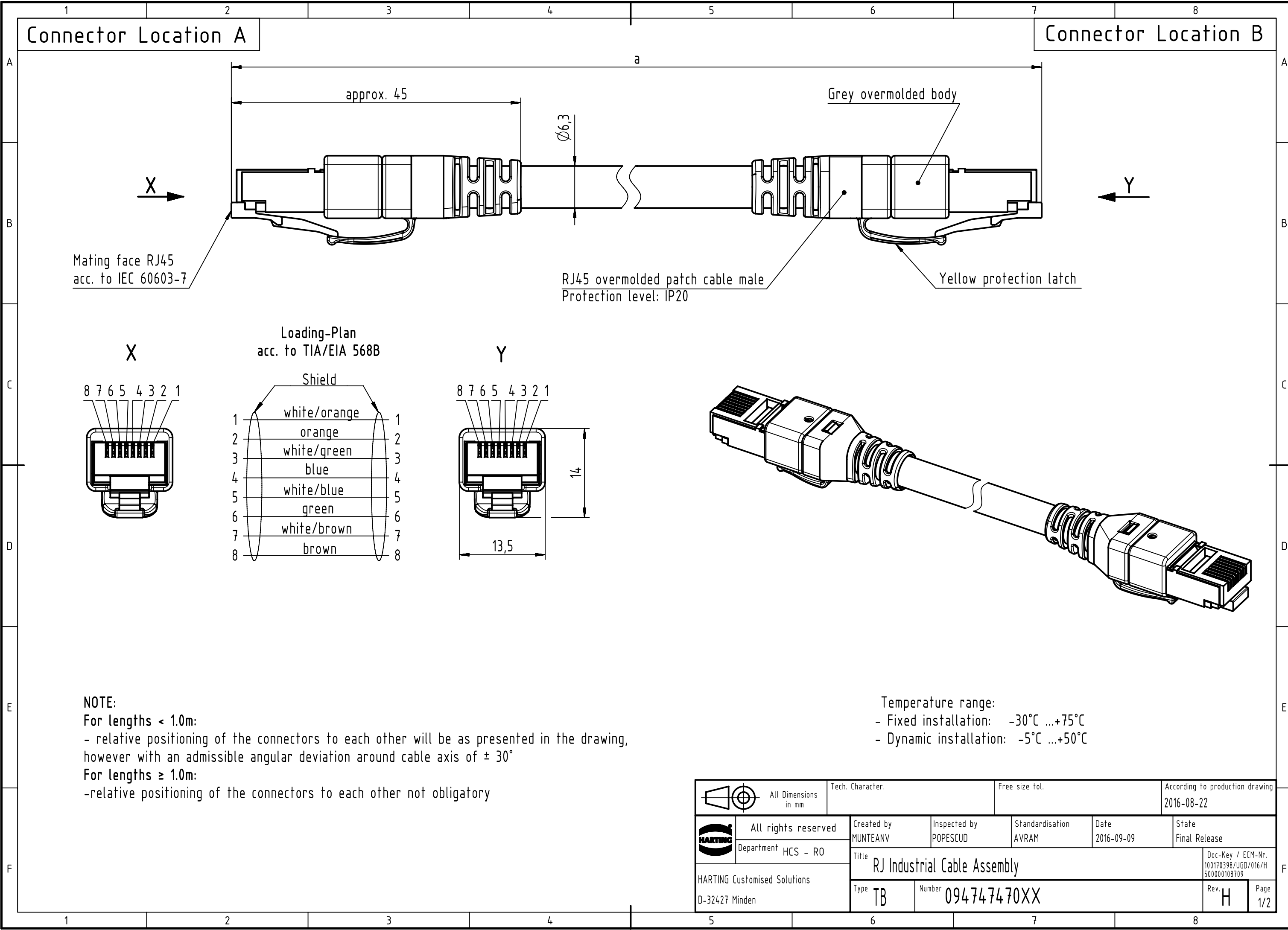
Contact us

Tel: +86-755-8981 8866 Fax: +86-755-8427 6832

Email & Skype: info@chipsmall.com Web: www.chipsmall.com

Address: A1208, Overseas Decoration Building, #122 Zhenhua RD., Futian, Shenzhen, China





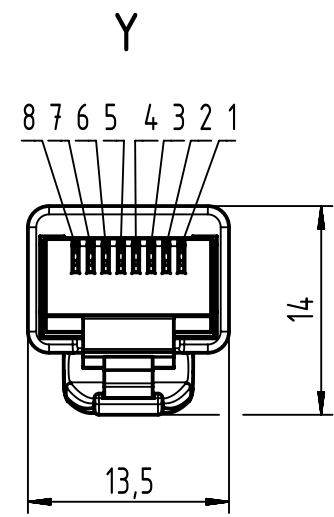
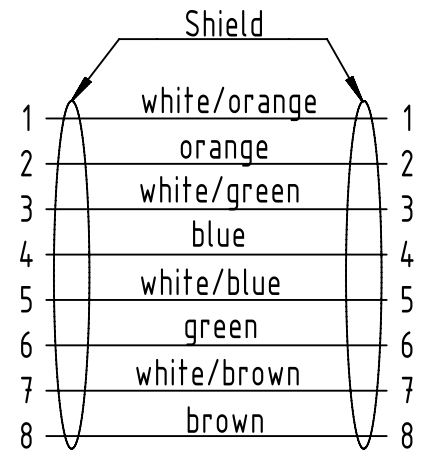
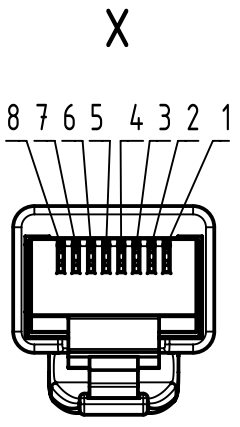
Mating face RJ45
acc. to IEC 60603-7

RJ45 overmolded patch cable male
Protection level: IP20

Grey overmolded body

Yellow protection latch

Loading-Plan
acc. to TIA/EIA 568B

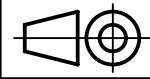


NOTE:

For lengths < 1.0m:
- relative positioning of the connectors to each other will be as presented in the drawing,
however with an admissible angular deviation around cable axis of $\pm 30^\circ$
For lengths $\geq 1.0m$:
-relative positioning of the connectors to each other not obligatory

Temperature range:
- Fixed installation: $-30^\circ\text{C} \dots +75^\circ\text{C}$
- Dynamic installation: $-5^\circ\text{C} \dots +50^\circ\text{C}$

	All rights reserved Department HCS - RO HARTING Customised Solutions D-32427 Minden	Tech. Character.		Free size tol.		According to production drawing 2016-08-22	
		Created by MUNTEANV	Inspected by POPESCU	Standardisation AVRAM	Date 2016-09-09	State Final Release	
Title RJ Industrial Cable Assembly						Doc-Key / ECM-Nr. 100170398/UGD/016/H 500000108709	
Type TB		Number 094747470XX				Rev. H	Page 1/2

1	2	3	4	5	6	7	8
A							
B	38	09474747040	4x2AWG 26/7 SF/UTP Cat.5e PUR	60	±1%		
	37	09474747029		50			
	36	09474747036		48			
	35	09474747028		40			
	34	09474747026		35			
	33	09474747027		30			
	32	09474747025		25			
	31	09474747023		20			
	30	09474747034		18			
	29	09474747033		17			
C	28	09474747032		16			
	27	09474747022		15			
	26	09474747031		14			
	25	09474747035		12			
	24	09474747030		11			
	23	09474747021		10			
	22	09474747020		9			
	21	09474747019		8			
	20	09474747018		7.5			
	19	09474747017		7			
D	18	09474747016	6	+0.040			
	17	09474747015	5				
	16	09474747014	4				
	15	09474747024	3.5				
	14	09474747013	3				
	13	09474747012	2.5				
	12	09474747011	2				
	11	09474747037	1.8				
	10	09474747010	1.5				
	9	09474747009	1				
E	8	09474747008	0.9	+0.020			
	7	09474747007	0.8				
	6	09474747006	0.7				
	5	09474747005	0.6				
	4	09474747004	0.5				
	3	09474747003	0.4				
	2	09474747002	0.3				
	1	09474747001	0.2				
F	Cont. no.	Part no.	Type of cable	Dim. a[m]	 All Dimensions in mm Tech. Character. Free size tol. According to production drawing 2016-08-22		
					All rights reserved Department HCS - RO Created by MUNTEANV Inspected by POPESCU Standardisation AVRAM Date 2016-09-09 State Final Release Title RJ Industrial Cable Assembly Doc-Key / ECM-Nr. 100170398/UGD/016/H 500000108709 HARTING Customised Solutions D-32427 Minden Type TB Number 094747470XX Rev. H Page 2/2		
	1						