



Chipsmall Limited consists of a professional team with an average of over 10 year of expertise in the distribution of electronic components. Based in Hongkong, we have already established firm and mutual-benefit business relationships with customers from,Europe,America and south Asia,supplying obsolete and hard-to-find components to meet their specific needs.

With the principle of “Quality Parts,Customers Priority,Honest Operation,and Considerate Service”,our business mainly focus on the distribution of electronic components. Line cards we deal with include Microchip,ALPS,ROHM,Xilinx,Pulse,ON,Everlight and Freescale. Main products comprise IC,Modules,Potentiometer,IC Socket,Relay,Connector.Our parts cover such applications as commercial,industrial, and automotives areas.

We are looking forward to setting up business relationship with you and hope to provide you with the best service and solution. Let us make a better world for our industry!



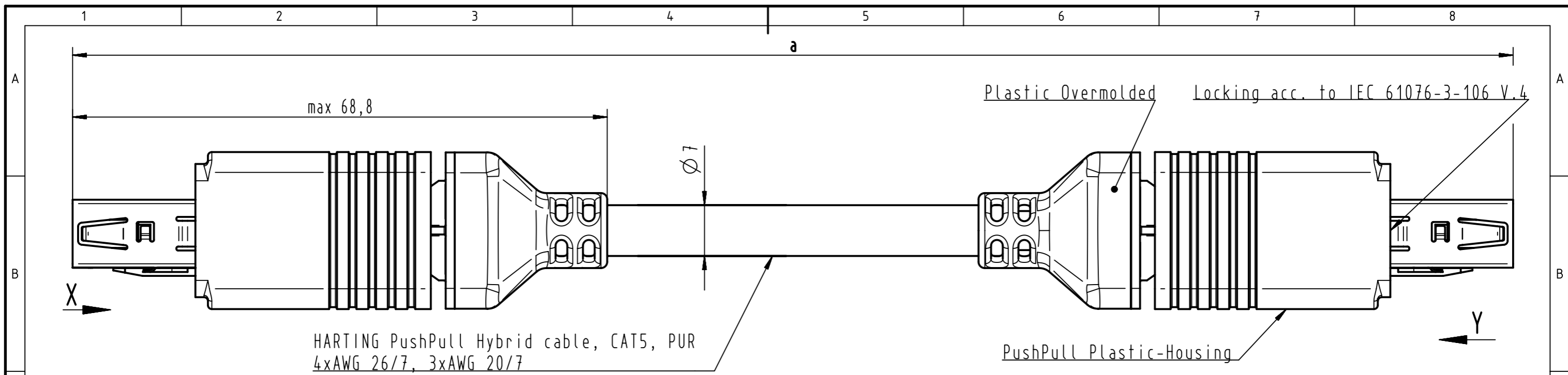
Contact us

Tel: +86-755-8981 8866 Fax: +86-755-8427 6832

Email & Skype: info@chipsmall.com Web: www.chipsmall.com

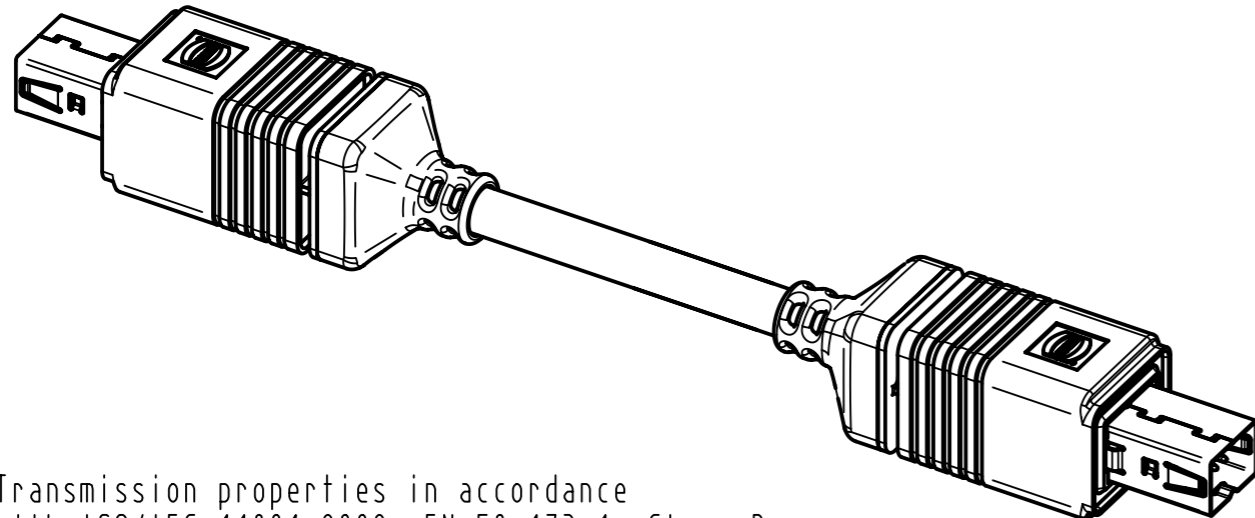
Address: A1208, Overseas Decoration Building, #122 Zhenhua RD., Futian, Shenzhen, China





HARTING PushPull Hybrid cable, CAT5, PUR
4xAWG 26/7, 3xAWG 20/7

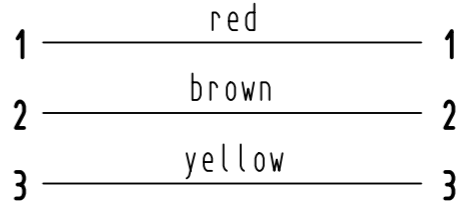
Plastic Overmolded
Locking acc. to IEC 61076-3-106 V.4
PushPull Plastic-Housing



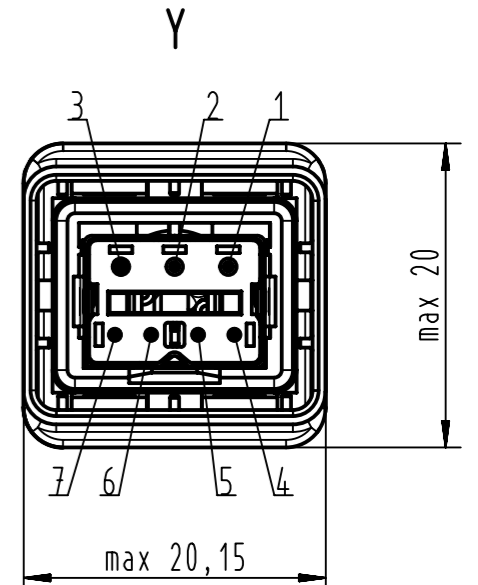
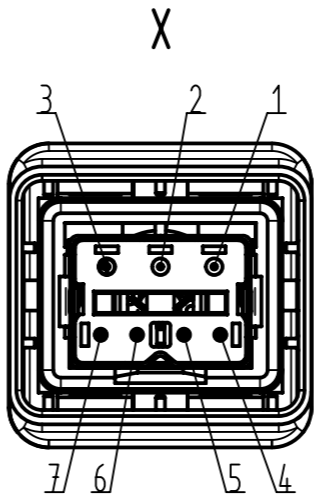
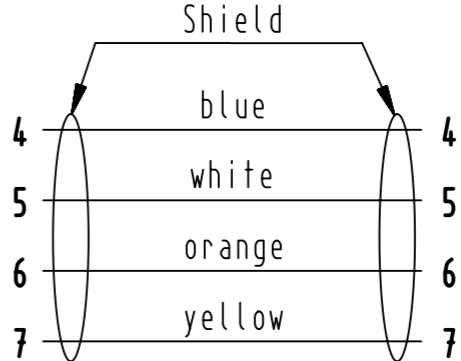
- Transmission properties in accordance with ISO/IEC 11801:2002: EN 50 173-1: Class D. Protection level: IP67/65
- Temperature range: -40°C ... +70°C

Loading-Plan

Power wires



Data wires



9	HPP V4 Hybrid cable 20m double ended PP	09476161200	20
8	HPP V4 Hybrid cable 10m double ended PP	09476161100	10
7	HPP V4 Hybrid cable 8m double ended PP	09476161080	8
6	HPP V4 Hybrid cable 5m double ended PP	09476161050	5
5	HPP V4 Hybrid cable 3m double ended PP	09476161030	3
4	HPP V4 Hybrid cable 2m double ended PP	09476161020	2
3	HPP V4 Hybrid cable 1m double ended PP	09476161010	1
2	HPP V4 Hybrid cable 0,8m double ended PP	09476161008	0,8
1	HPP V4 Hybrid cable 0,5m double ended PP	09476161005	0,5
Cont. no.	Description	Part no.	Dim a[m]

	All rights reserved Department EC PD - RO	All Dimensions in mm Original Size DIN A3	Scale 2:1	Free size tol.	Ref. Sub.
HARTING Electronics GmbH D-32339 Espelkamp		Title HPP V4 Hybrid cable double ended		Date 2013-07-02	
Type TB		Number 09476161XXX		State Final Release	
				Doc-Key / ECM-Nr. 100176574/UGD/006/B 50000063894	
				Rev. B Page 1/1	