



Chipsmall Limited consists of a professional team with an average of over 10 year of expertise in the distribution of electronic components. Based in Hongkong, we have already established firm and mutual-benefit business relationships with customers from,Europe,America and south Asia,supplying obsolete and hard-to-find components to meet their specific needs.

With the principle of "Quality Parts,Customers Priority,Honest Operation,and Considerate Service",our business mainly focus on the distribution of electronic components. Line cards we deal with include Microchip,ALPS,ROHM,Xilinx,Pulse,ON,Everlight and Freescale. Main products comprise IC,Modules,Potentiometer,IC Socket,Relay,Connector.Our parts cover such applications as commercial,industrial, and automotives areas.

We are looking forward to setting up business relationship with you and hope to provide you with the best service and solution. Let us make a better world for our industry!



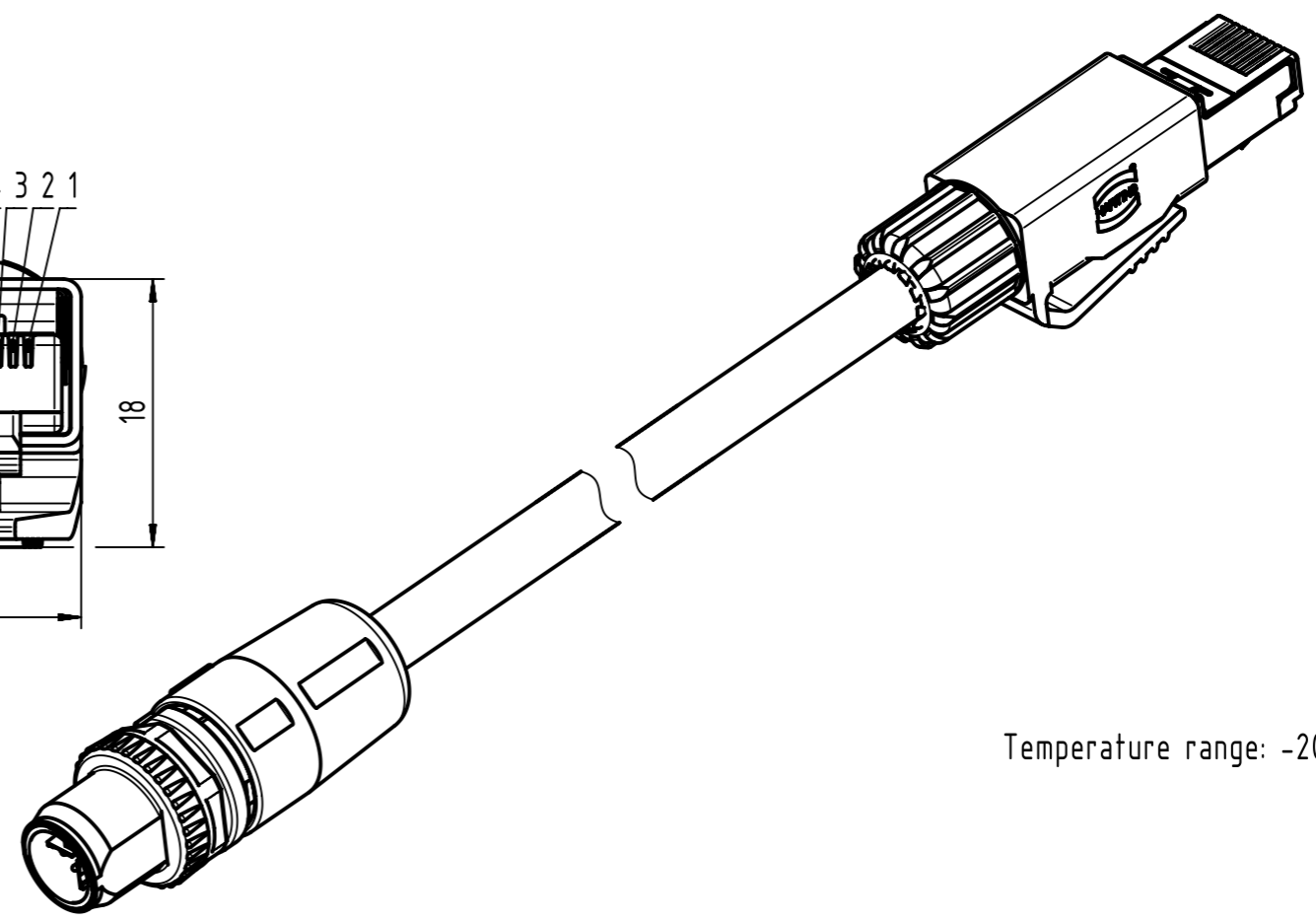
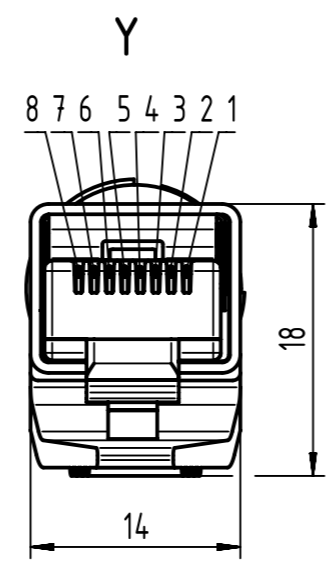
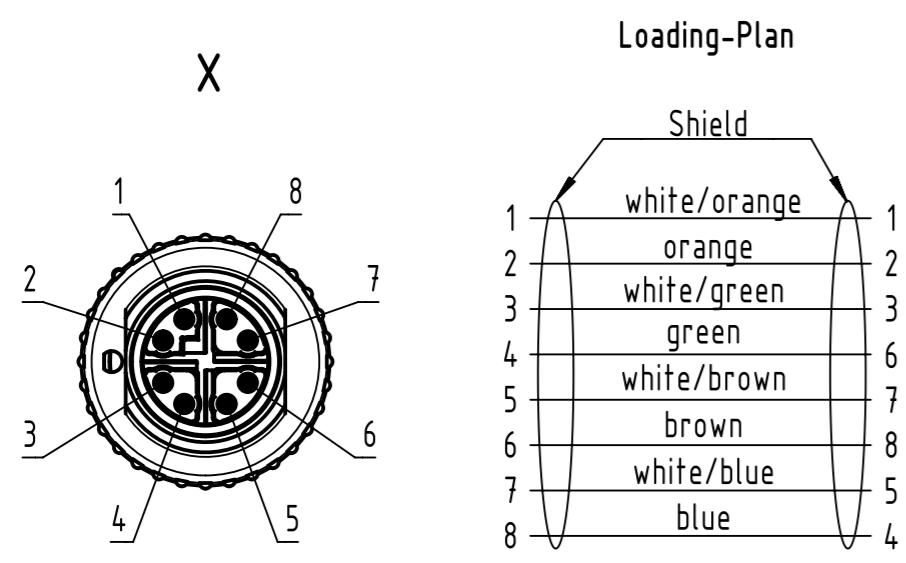
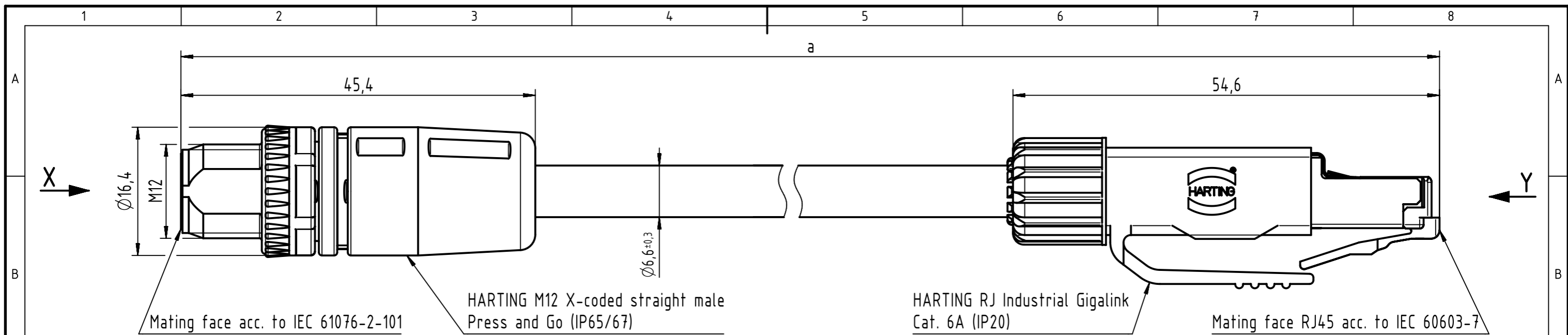
Contact us

Tel: +86-755-8981 8866 Fax: +86-755-8427 6832

Email & Skype: info@chipsmall.com Web: www.chipsmall.com

Address: A1208, Overseas Decoration Building, #122 Zhenhua RD., Futian, Shenzhen, China





Temperature range: -20°C...+70°C

2		09478411002	RJ45 Ethernet Stranded Cable AWG 26/7, 4x2x0.5/1.0, Cat6 _A , PVC	2	All rights reserved Department EC PD - RO HARTING Electronics GmbH D-32339 Espelkamp	Scale 2:1	Free size tol.	Ref.		
1		09478411001		1		Created by DRAGHICI Inspected by AVRAM Standardisation HOFFMANN Date 2015-09-14 State Final Release	Title M12 X-coded Cable Assembly	Doc-Key / ECM-Nr. 100601686/UGD/000/B 500000094238		
Cont. No.	Part - no.	Type of cable	Dim. a[m]	Type TB	Number 09478411XXX			Rev. B	Page 1/1	