



Chipsmall Limited consists of a professional team with an average of over 10 year of expertise in the distribution of electronic components. Based in Hongkong, we have already established firm and mutual-benefit business relationships with customers from,Europe,America and south Asia,supplying obsolete and hard-to-find components to meet their specific needs.

With the principle of “Quality Parts,Customers Priority,Honest Operation,and Considerate Service”,our business mainly focus on the distribution of electronic components. Line cards we deal with include Microchip,ALPS,ROHM,Xilinx,Pulse,ON,Everlight and Freescale. Main products comprise IC,Modules,Potentiometer,IC Socket,Relay,Connector.Our parts cover such applications as commercial,industrial, and automotives areas.

We are looking forward to setting up business relationship with you and hope to provide you with the best service and solution. Let us make a better world for our industry!



## Contact us

Tel: +86-755-8981 8866 Fax: +86-755-8427 6832

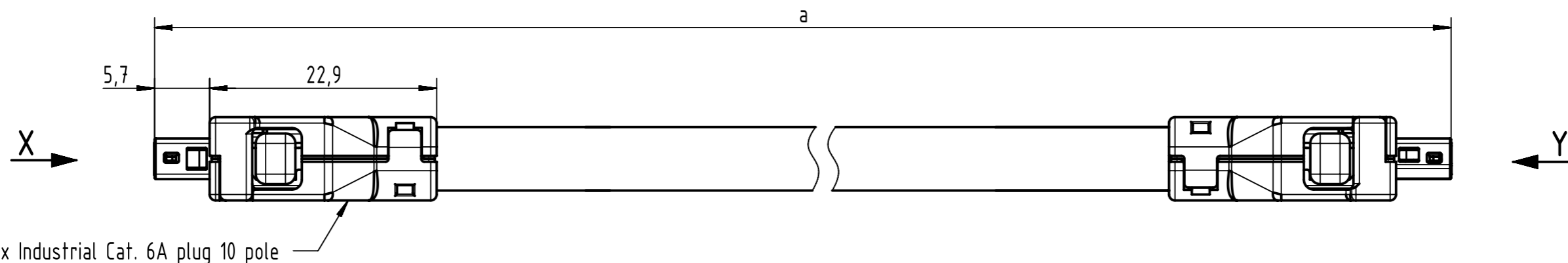
Email & Skype: info@chipsmall.com Web: www.chipsmall.com

Address: A1208, Overseas Decoration Building, #122 Zhenhua RD., Futian, Shenzhen, China

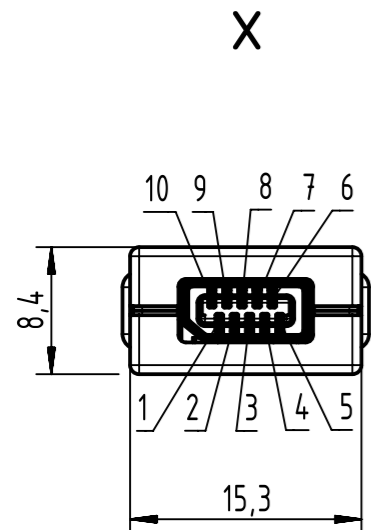


Connector Location A

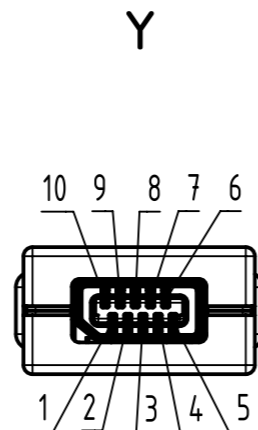
Connector Location B



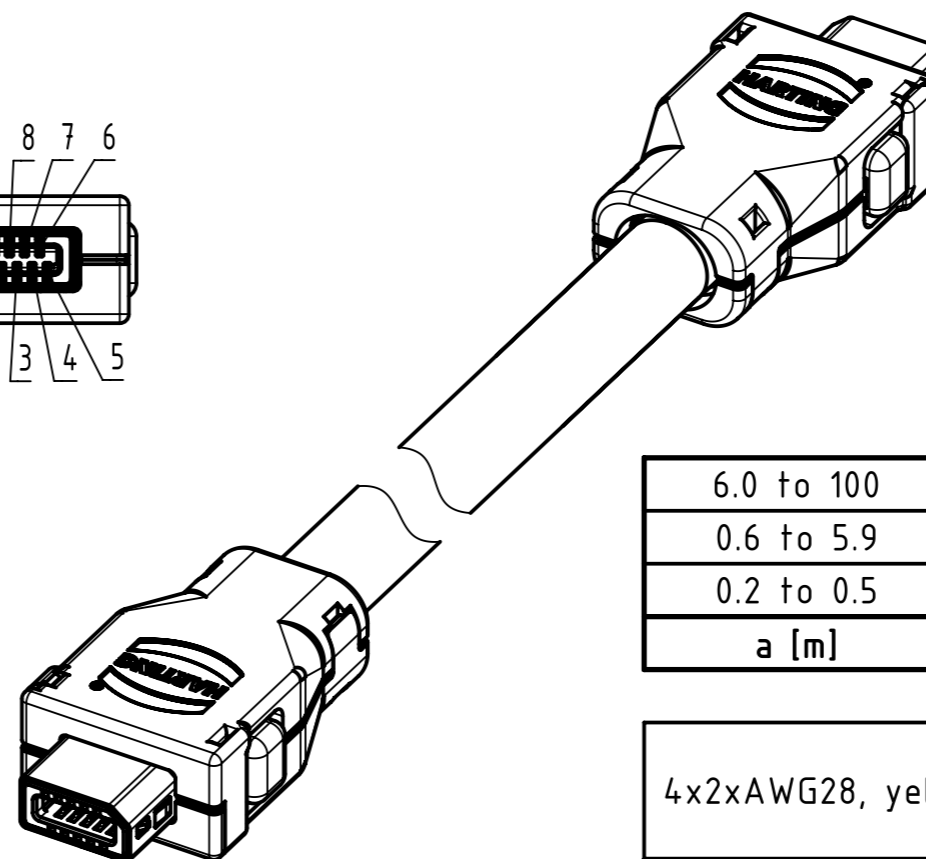
Loading-Plan  
acc. to TIA/EIA 568B



Shield	
1	white/orange
2	orange
4	blue
5	white/blue
6	white/green
7	green
9	white/brown
10	brown



Contacts 3 and 8 are not connected on both side



6.0 to 100	±1%
0.6 to 5.9	+0.04
0.2 to 0.5	+0.02
<b>a [m]</b>	<b>Tolerance</b>

length in "1m" step	100	XXX=000
	99	XXX=990
	.	.
	12	XXX=120
length in "0.1m" step	11	XXX=110
	10	XXX=100
	9.9	XXX=099
	9.8	XXX=098
	.	.
	0.5	XXX=005
	0.4	XXX=004
	0.3	XXX=003
	0.2	XXX=002
<b>Step</b>	<b>a [m]</b>	<b>XXX</b>

4x2xAWG28, yellow, PVC, Cat. 6A

09482626749XXX

Type of cable

Part no.

- Temperature range: -40°C...+80°C

	All rights reserved		Tech. Character.		Free size tol.		According to production drawing 2016-10-25		
	Department HCS - RO		Created by MUNTEANV	Inspected by POPESCUD	Standardisation AVRAM	Date 2016-10-27	State Final Release		
HARTING Customised Solutions		Title HARTING ix Industrial Cable Assembly						Doc-Key / ECM-Nr. 100695544/UGD/000/A 500000110784	
D-32427 Minden		Type TB	Number 09482626749XXX				Rev. A	Page 1/1	