



Chipsmall Limited consists of a professional team with an average of over 10 year of expertise in the distribution of electronic components. Based in Hongkong, we have already established firm and mutual-benefit business relationships with customers from,Europe,America and south Asia,supplying obsolete and hard-to-find components to meet their specific needs.

With the principle of “Quality Parts,Customers Priority,Honest Operation,and Considerate Service”,our business mainly focus on the distribution of electronic components. Line cards we deal with include Microchip,ALPS,ROHM,Xilinx,Pulse,ON,Everlight and Freescale. Main products comprise IC,Modules,Potentiometer,IC Socket,Relay,Connector.Our parts cover such applications as commercial,industrial, and automotives areas.

We are looking forward to setting up business relationship with you and hope to provide you with the best service and solution. Let us make a better world for our industry!



Contact us

Tel: +86-755-8981 8866 Fax: +86-755-8427 6832

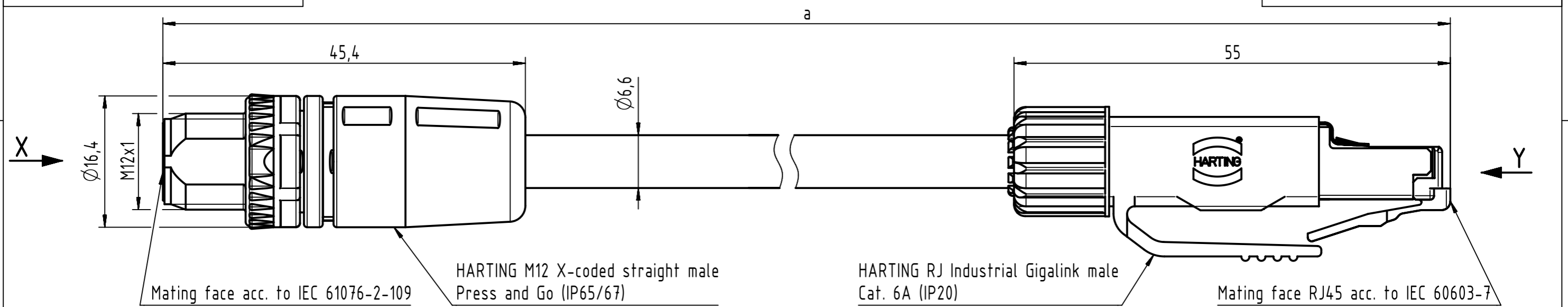
Email & Skype: info@chipsmall.com Web: www.chipsmall.com

Address: A1208, Overseas Decoration Building, #122 Zhenhua RD., Futian, Shenzhen, China



Connector Location A

Connector Location B

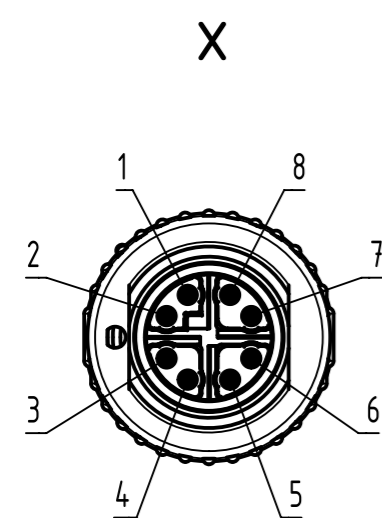


Mating face acc. to IEC 61076-2-109

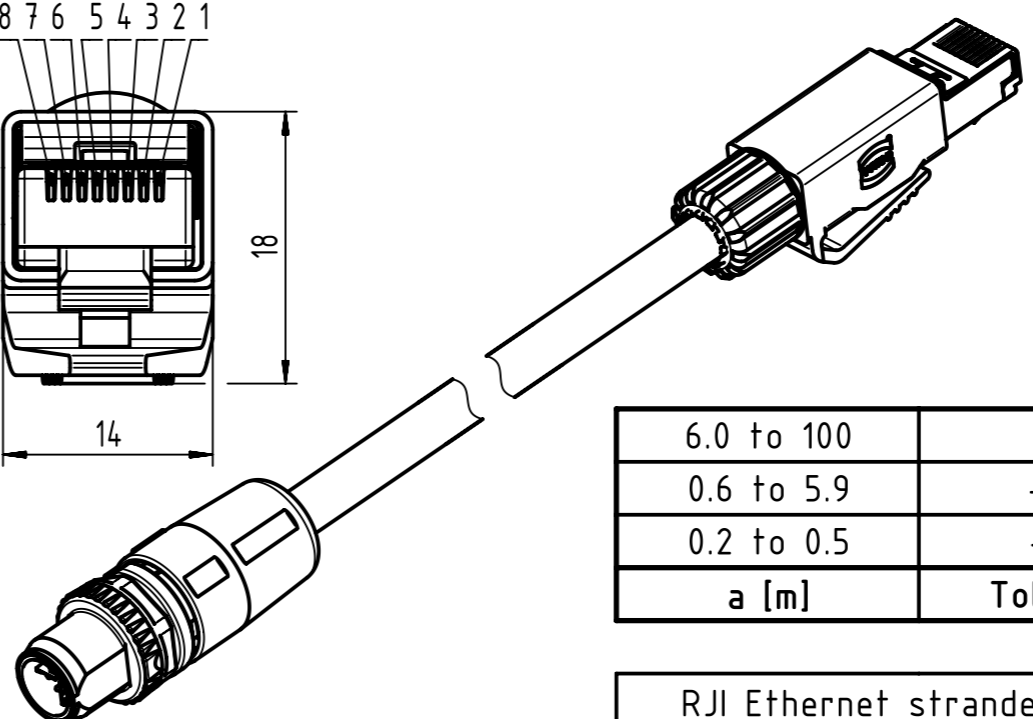
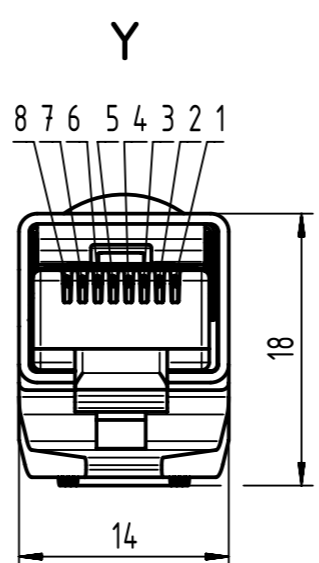
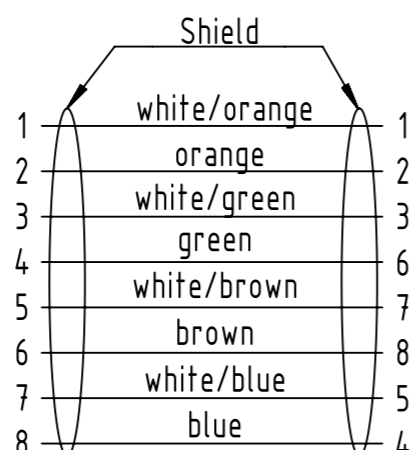
HARTING M12 X-coded straight male Press and Go (IP65/67)

HARTING RJ Industrial Gigalink male Cat. 6A (IP20)

Mating face RJ45 acc. to IEC 60603-7



Loading-Plan



| | |
|--------------|------------------|
| 6.0 to 100 | ±1% |
| 0.6 to 5.9 | +0.04 |
| 0.2 to 0.5 | +0.02 |
| a [m] | Tolerance |

| | | |
|-----------------------|--------------|------------|
| length in "1m" step | 100 | XXX=000 |
| | 99 | XXX=990 |
| | . | . |
| | 12 | XXX=120 |
| | 11 | XXX=110 |
| length in "0.1m" step | 10 | XXX=100 |
| | 9.9 | XXX=099 |
| | 9.8 | XXX=098 |
| | . | . |
| | 0.5 | XXX=005 |
| | 0.4 | XXX=004 |
| | 0.3 | XXX=003 |
| 0.2 | XXX=002 | |
| Step | a [m] | XXX |

RJI Ethernet stranded cable
AWG 26/7, 4x2x0.5/1.0, PVC,
Cat.6A, yellow

Type of cable

09489323757XXX

Part no.

Temperature range: -20°C...+70°C

| | | | | | | | |
|------------------------------|---------------------|----------------------------|----------------|-----------------|------------|-------------------------------------|--|
| | All rights reserved | Created by | Inspected by | Standardisation | Date | State | |
| | Department HCS - RO | MUNTEANV | COSTEA | AVRAM | 2017-07-19 | Final Release | |
| HARTING Customised Solutions | | Title | | | | Doc-Key / ECM-Nr. | |
| D-32427 Minden | | M12 X-coded Cable Assembly | | | | 100601686/UGD/003/B 500000122446 | |
| | | Type | Number | | Rev. | Page | |
| | | TB | 09489323757XXX | | B | 1/1 | |