



Chipsmall Limited consists of a professional team with an average of over 10 year of expertise in the distribution of electronic components. Based in Hongkong, we have already established firm and mutual-benefit business relationships with customers from,Europe,America and south Asia,supplying obsolete and hard-to-find components to meet their specific needs.

With the principle of "Quality Parts,Customers Priority,Honest Operation,and Considerate Service",our business mainly focus on the distribution of electronic components. Line cards we deal with include Microchip,ALPS,ROHM,Xilinx,Pulse,ON,Everlight and Freescale. Main products comprise IC,Modules,Potentiometer,IC Socket,Relay,Connector.Our parts cover such applications as commercial,industrial, and automotives areas.

We are looking forward to setting up business relationship with you and hope to provide you with the best service and solution. Let us make a better world for our industry!



Contact us

Tel: +86-755-8981 8866 Fax: +86-755-8427 6832

Email & Skype: info@chipsmall.com Web: www.chipsmall.com

Address: A1208, Overseas Decoration Building, #122 Zhenhua RD., Futian, Shenzhen, China



NOTES:

1. MATERIALS AND FINISHES:

HD-BNC STR CRIMP PLUG - 34-1025
 1.0/2.3 PUSH-PULL CRIMP PLUG - 282135-75
 CABLE - BELDEN 1505A

2. ELECTRICAL:

A. IMPEDANCE: 75 OHM

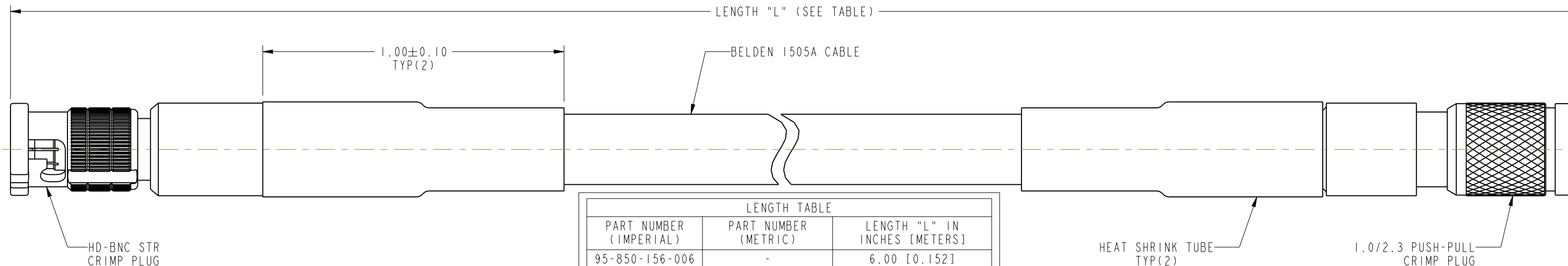
3. PACKAGING:

A. QUANTITY: SINGLE PACK
 B. MARKING: BAG TO BE MARKED
 "AMPHENOL RF, 95-850-156XXXX AND DATE CODE".

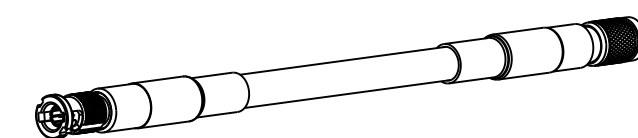
THIRD ANGLE PROJ.

REVISIONS

REV	DESCRIPTION	DATE	ECO	APPR
A	RELEASE TO MFG.	5/15/15	50350	NR/BCG



LENGTH TABLE		
PART NUMBER (IMPERIAL)	PART NUMBER (METRIC)	LENGTH "L" IN INCHES [METERS]
95-850-156-006	-	6.00 [0.152]
-	95-850-156M025	9.84 [0.250]
95-850-156-012	-	12.00 [0.305]
95-850-156-018	-	18.00 [0.457]
-	95-850-156M050	19.69 [0.500]
95-850-156-024	-	24.00 [0.610]
-	95-850-156M075	29.53 [0.750]
95-850-156-036	-	36.00 [0.914]
-	95-850-156M100	39.37 [1.000]
95-850-156-048	-	48.00 [1.219]
-	95-850-156M125	49.21 [1.250]
-	95-850-156M150	59.06 [1.500]
95-850-156-060	-	60.00 [1.524]
95-850-156-072	-	72.00 [1.829]
-	95-850-156M200	78.74 [2.000]
-	95-850-156M300	118.11 [3.000]
95-850-156-120	-	120.00 [3.048]
95-850-156-180	-	180.00 [4.572]
-	95-850-156M500	196.85 [5.000]
95-850-156-300	-	300.00 [7.620]
-	95-850-156M10L	393.70 [10.000]
95-850-156L050	-	600.00 [15.240]
-	95-850-156M20L	787.40 [20.000]
95-850-156L075	-	900.00 [22.860]
-	95-850-156M30L	1181.10 [30.000]
95-850-156L100	-	1200.00 [30.480]



SCALE 0.750

DESIGN REQUIREMENTS:			
<input checked="" type="checkbox"/> FREQUENCY: DC TO 4 GHz	<input checked="" type="checkbox"/> CONTINUITY	<input type="checkbox"/> VSWR ----- MAX	<input checked="" type="checkbox"/> HI-POT : 500 VRMS
<input type="checkbox"/> INS. LOSS ----- dB MAX	<input type="checkbox"/> OTHER		

CUSTOMER OUTLINE DRAWING
 ALL OTHER SHEETS ARE FOR INTERNAL USE ONLY

UNLESS OTHERWISE SPECIFIED, DIMENSIONS ARE IN INCHES AND TOLERANCES ARE: 2 PLACE DECIMAL ±.015 (0.381 mm) 3 PLACE DECIMAL ±.005 (0.127 mm) ANGLES ± 1°	MATERIAL SEE NOTES	DRAWN CLEMMENT	DATE 09-Dec-14	TITLE HD-BNC STR CRIMP PLUG TO 1.0/2.3 PUSH-PULL CRIMP PLUG, USING BELDEN 1505A CABLE, VARIOUS LENGTH	Amphenol RF www.amphenolrf.com	
	REFERENCE EAR # 6515	ENGINEER CLEMMENT	DATE 09-Dec-14		DRAWING NO. 95-850-156-XXX	
NOTICE - These drawings, specifications, or other data (1) are, and remain the property of Amphenol corp. (2) must be returned upon request; and (3) are confidential and not to be disclosed to any person other than those to whom they are given by Amphenol Corp. the furnishing of these drawings, specifications, or other data by Amphenol Corp., or to any other person to anyone for any purpose is not to be regarded by implication or otherwise in any manner licensing, granting rights to permitting such holder or any other person to manufacture, use or sell any product, process or design, patented or otherwise, that may in any way be related to or disclosed by said drawings, specifications, or other data.	CONFIGURATION LEVEL: In Work	APPROVED K. CAPOZZI	DATE 5/7/15	SCALE: 3.0:1.0	SHEET 2 OF 2	ITEM NO. 95-850-156-XXX
	FINISH	CAD FILE	DWG SIZE B	REV A	PART NO. 95-850-156XXXX	