



Chipsmall Limited consists of a professional team with an average of over 10 year of expertise in the distribution of electronic components. Based in Hongkong, we have already established firm and mutual-benefit business relationships with customers from,Europe,America and south Asia,supplying obsolete and hard-to-find components to meet their specific needs.

With the principle of “Quality Parts,Customers Priority,Honest Operation,and Considerate Service”,our business mainly focus on the distribution of electronic components. Line cards we deal with include Microchip,ALPS,ROHM,Xilinx,Pulse,ON,Everlight and Freescale. Main products comprise IC,Modules,Potentiometer,IC Socket,Relay,Connector.Our parts cover such applications as commercial,industrial, and automotives areas.

We are looking forward to setting up business relationship with you and hope to provide you with the best service and solution. Let us make a better world for our industry!



Contact us

Tel: +86-755-8981 8866 Fax: +86-755-8427 6832

Email & Skype: info@chipsmall.com Web: www.chipsmall.com

Address: A1208, Overseas Decoration Building, #122 Zhenhua RD., Futian, Shenzhen, China



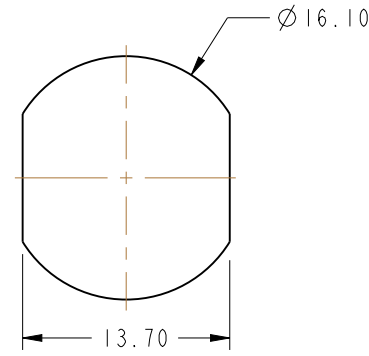
NOTES:

1. PACKAGE CABLE ASSEMBLY IN BAG. TAG IN BAG WITH "AMPHENOL RF, 95-909-155-XXX & WWYY".
2. CABLE ASSEMBLY TO BE 100% TESTED FOR HI-POT, CONTINUITY, SHORTS AND OPENS.
3. FOR STRIPPING DIMENSIONS AND ASSEMBLY INSTRUCTIONS SEE END CONNECTOR PRINTS.

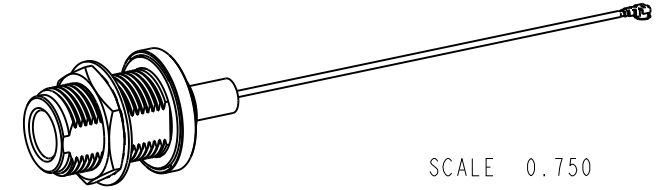
THIRD ANGLE PROJ.

REVISIONS

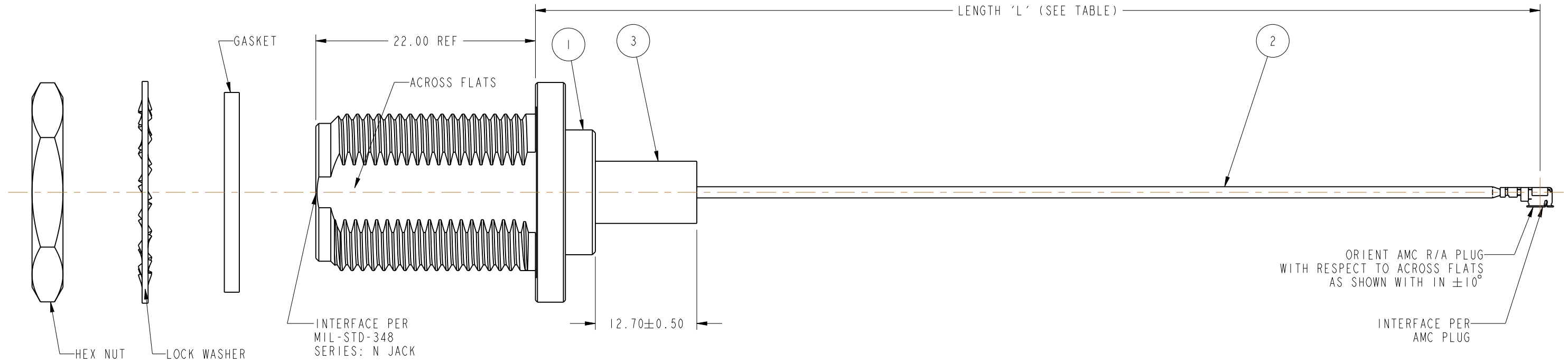
REV	DESCRIPTION	DATE	ECO	APPR
A	RELEASE TO MFG.	24-Oct-16	2224	AG



RECOMMENDED MOUNTING HOLE DIMENSIONS



SCALE 0.750



95-909-155-006	300.00±5.00
95-909-155-005	250.00±5.00
95-909-155-004	200.00±5.00
95-909-155-003	150.00±3.00
95-909-155-002	100.00±3.00
95-909-155-001	50.00±3.00
PART NUMBER	LENGTH 'L' IN MM

9-954-359	0.042 FT	3	HEAT SHRINK TUBE	BLACK
A-IPA-178-630N2	0.50	2	CABLE ASSY	
172313	1	1	ASSEMBLY	
PART NUMBER	QTY.	ITEM	DESCRIPTION	FINISH

DESIGN REQUIREMENTS:

- | | |
|--|---|
| <input checked="" type="checkbox"/> FREQUENCY: DC TO 6 GHz | <input checked="" type="checkbox"/> CONTINUITY |
| <input type="checkbox"/> VSWR: _____ MAX. | <input checked="" type="checkbox"/> HI-POT : 200 VRMS |
| <input type="checkbox"/> INS. LOSS: _____ dB MAX. | <input type="checkbox"/> OTHER |

UNLESS OTHERWISE SPECIFIED, DIMENSIONS ARE IN METRIC AND TOLERANCES ARE:
 <0.5mm ±0.05mm 0.5 - 6mm ±0.1mm 6 - 30mm ±0.2mm 30 - 120mm ±0.3mm ANGLES ±1°

NOTICE - These drawings, specifications, or other data (1) are, and remain the property of Amphenol corp. (2) must be returned upon request; and (3) are confidential and not to be disclosed to any person other than those to whom they are given by Amphenol Corp. the furnishing of these drawings, specifications, or other data by Amphenol Corp., or to any other person to anyone for any purpose is not to be regarded by implication or otherwise in any manner licensing, granting rights to permitting such holder or any other person to manufacture, use or sell any product, process or design, patented or otherwise, that may in any way be related to or disclosed by said drawings, specifications, or other data.

MATERIAL	DRAWN MADHAN G	DATE 15-Apr-16	TITLE N STR BHD CRIMP JACK TO AMC R/A PLUG USING RG 178 CABLE, VARIOUS LENGTH		Amphenol RF www.amphenolrf.com	
REFERENCE EAR # 7180	ENGINEER MADHAN G	DATE 15-Apr-16				
CONFIGURATION LEVEL: In Work	APPROVED K.CAPOZZI	DATE 24-Oct-16	SCALE: 2.5:1.0	SHEET 1 OF 1	DRAWING NO.95-909-155-XXX	
FINISH	CAD FILE	DWG SIZE B	REV A	ITEM NO.95-909-155-XXX		
				PART NO.95-909-155-XXX		