



Chipsmall Limited consists of a professional team with an average of over 10 year of expertise in the distribution of electronic components. Based in Hongkong, we have already established firm and mutual-benefit business relationships with customers from,Europe,America and south Asia,supplying obsolete and hard-to-find components to meet their specific needs.

With the principle of "Quality Parts,Customers Priority,Honest Operation,and Considerate Service",our business mainly focus on the distribution of electronic components. Line cards we deal with include Microchip,ALPS,ROHM,Xilinx,Pulse,ON,Everlight and Freescale. Main products comprise IC,Modules,Potentiometer,IC Socket,Relay,Connector.Our parts cover such applications as commercial,industrial, and automotives areas.

We are looking forward to setting up business relationship with you and hope to provide you with the best service and solution. Let us make a better world for our industry!



## Contact us

Tel: +86-755-8981 8866 Fax: +86-755-8427 6832

Email & Skype: info@chipsmall.com Web: www.chipsmall.com

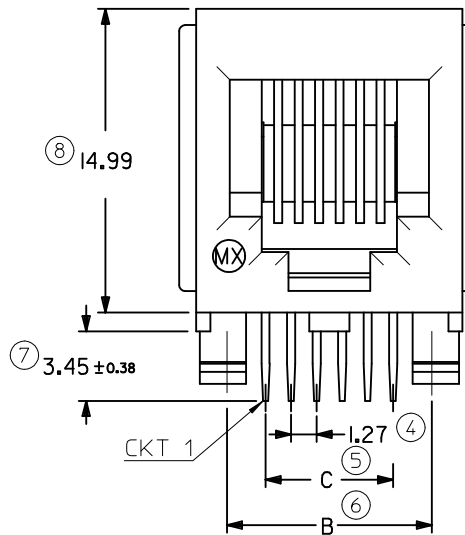
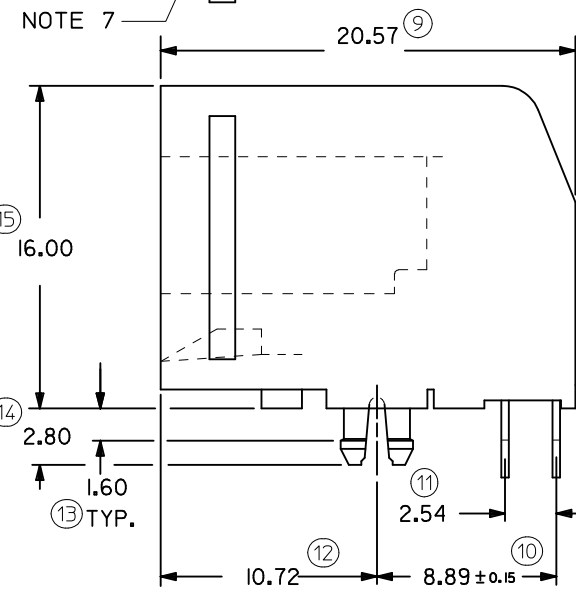
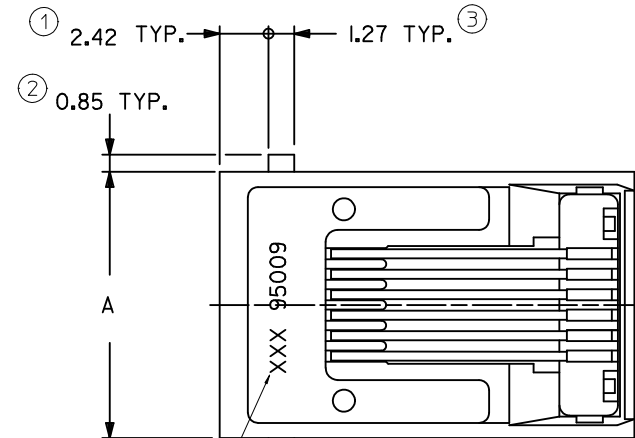
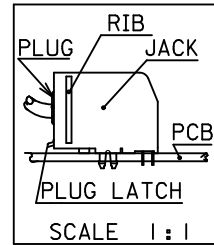
Address: A1208, Overseas Decoration Building, #122 Zhenhua RD., Futian, Shenzhen, China



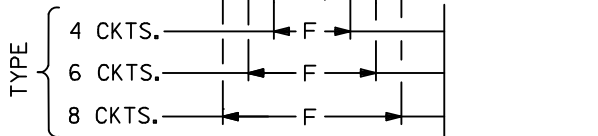
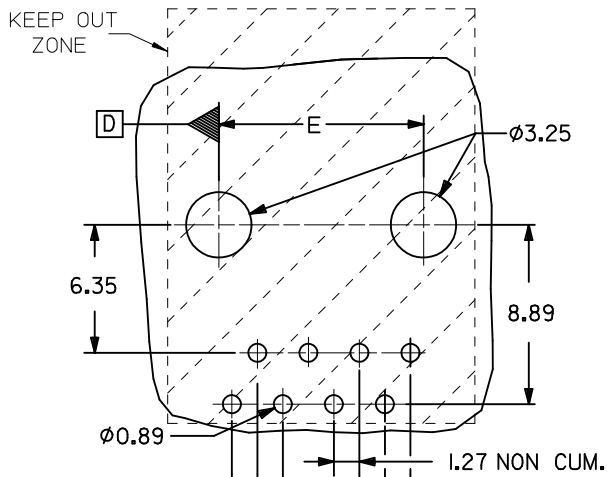
**NOTES :**

1- MATERIAL : POLYESTER FIBER GLASS FILED 94-V-0  
 COLOR BLACK .  
 TERMINAL : COPPER ALLOY.  
 PLATINGS : BASE FINISH: NICKEL  
 CONTACT SURFACE FINISH:  
 GOLD  
 OR  
 GOLD FLASH OVER PALLADIUM NICKEL.  
 EXCEEDS PRODUCT REQUIREMENTS BASED ON PS-95009-001

2- PC BOARD THICKNESS : 1.57  
 3- JACK FOR MATING WITH IEC-60603-7 AND TIA-1096-A  
 MOLEX 90075 SERIES PLUGS  
 4- PRODUCT SPECIFICATION PS-95009-001.  
 5- APPLICATION SPECIFICATION AS-95001.  
 6- PACKAGING SPECIFICATION PK-95029.  
 7- MANUFACTURING ID CAN BE MXF, MG OR MXI.  
 INSPECTION NUMBERS USED: 1 - 50  
 LAST INSPECTION NUMBER: 15



**MOUNTING HOLE PATTERNS**  
 (SEE FROM COMPONENT SIDE)



$\pm 0.10$  D

ALL DIMENSIONS REF DIMENSIONS

REV	DESCRIPTION
K	APPR:EFOLAN 2012/05/03
	CHKD:SMCGREEVEY 2012/04/27
	DRWN:DBYRNES 2012/04/27
	EC NO: IPG2012-0807
	EDITED NOTES

QUALITY SYMBOLS	GENERAL TOLERANCES (UNLESS SPECIFIED)
$\nabla=0$	mm INCH
$\nabla C=0$	4 PLACES ± --- ± ---
	3 PLACES ± --- ± ---
	2 PLACES ± 0.25 ± ---
	1 PLACE ± 0.35 ± ---
	ANGULAR ± 1/2°
	DRAFT WHERE APPLICABLE MUST REMAIN WITHIN DIMENSIONS

DIMENSION STYLE		SCALE	DESIGN UNITS	THIRD ANGLE PROJECTION
MM ONLY		4:1	METRIC	
DRAWN BY	DATE	TITLE		
DP	86/10/23	FLUSH MOUNT RIGHT ANGLE MODULAR JACK ASSEMBLY THROUGH HOLE VERSION		
CHECKED BY	DATE	MOLEX INCORPORATED		
APPROVED BY	DATE	MATERIAL NO. SEE CHART SHT 2		
MATERIAL NO.		DOCUMENT NO.	SHEET NO.	
SIZE A3		SDA-95009-F	1 OF 2	

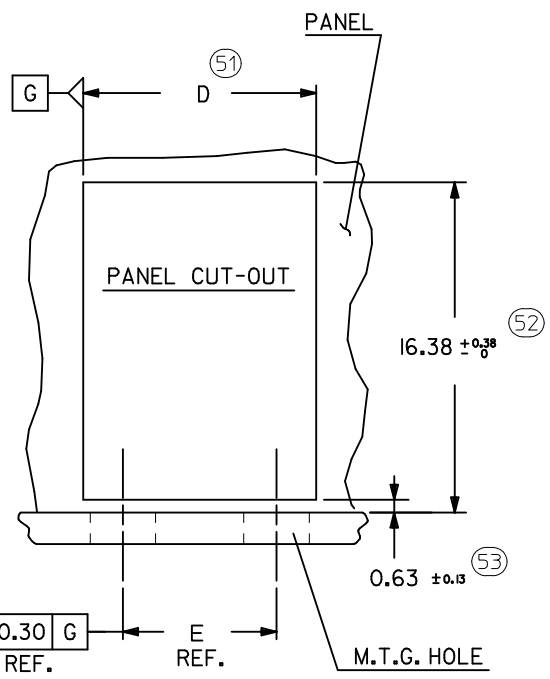
THIS DRAWING CONTAINS INFORMATION THAT IS PROPRIETARY TO MOLEX INCORPORATED AND SHOULD NOT BE USED WITHOUT WRITTEN PERMISSION

PART NUMBERS FOR JACK 1 RIB .

	TYPE	POS. 4	TOOLED	POS. 6	TOOLED	POS. 6	TOOLED	POS. 8	TOOLED
		4 CKTS.	X	4 CKTS.	X	6 CKTS.	X	8 CKTS.	X
	FINISH 7	95009-7441	X	95009-7641	X	95009-7661	X	95009-7881	X

PART NUMBERS FOR JACK NO RIB.

	TYPE	POS. 4	TOOLED	POS. 6	TOOLED	POS. 6	TOOLED	POS. 8	TOOLED
		4 CKTS.	X	4 CKTS.	X	6 CKTS.	X	8 CKTS.	X
	FINISH 7	95009-7447	X	95009-7647	X	95009-7667	X	95009-7887	X



TYPE	POS. 4	POS. 6		POS. 8
	4 CKTS.	4 CKTS.	6 CKTS.	8 CKTS.
DIM.				
A	11.18	13.21	13.21	15.24
B	7.62	10.16	10.16	11.43
C	3.81	3.81	6.35	8.89
D	$\pm 0.38$ -0	11.56	13.59	15.62
E	$\pm 0.10$	7.62	10.16	11.43
F	$\pm 0.10$	3.81	3.81	6.35
		3.81	6.35	8.89

NOTES:  
INSPECTION NUMBERS USED: 51 - 100  
LAST INSPECTION NUMBER: 53

ADDED PLATING OPTIONS EC NO: E2012-0040 DRWN: JOCONNOR 2011/04/07 CHKD: APPR: EFOLAN 2011/10/13	QUALITY SYMBOLS ▽=0 ◻=0	GENERAL TOLERANCES (UNLESS SPECIFIED) mm INCH 4 PLACES ± --- ± --- 3 PLACES ± --- ± --- 2 PLACES ± 0.25 ± --- 1 PLACE ± 0.35 ± --- ANGULAR ± 1/2°	DIMENSION STYLE MM ONLY DRAWN BY: DP DATE: 87/04/22 CHECKED BY: _____ DATE: _____ APPROVED BY: _____ DATE: _____	SCALE: 4:1 DESIGN UNITS: METRIC THIRD ANGLE PROJECTION	TITLE: FLUSH MOUNT RIGHT ANGLE MODULAR JACK ASSEMBLY THROUGH HOLE VERSION MOLEX INCORPORATED MATERIAL NO. SEE CHART DOCUMENT NO. SDA-95009-F SHEET NO. 2 OF 2 THIS DRAWING CONTAINS INFORMATION THAT IS PROPRIETARY TO MOLEX INCORPORATED AND SHOULD NOT BE USED WITHOUT WRITTEN PERMISSION