



Chipsmall Limited consists of a professional team with an average of over 10 year of expertise in the distribution of electronic components. Based in Hongkong, we have already established firm and mutual-benefit business relationships with customers from,Europe,America and south Asia,supplying obsolete and hard-to-find components to meet their specific needs.

With the principle of "Quality Parts,Customers Priority,Honest Operation,and Considerate Service",our business mainly focus on the distribution of electronic components. Line cards we deal with include Microchip,ALPS,ROHM,Xilinx,Pulse,ON,Everlight and Freescale. Main products comprise IC,Modules,Potentiometer,IC Socket,Relay,Connector.Our parts cover such applications as commercial,industrial, and automotives areas.

We are looking forward to setting up business relationship with you and hope to provide you with the best service and solution. Let us make a better world for our industry!



Contact us

Tel: +86-755-8981 8866 Fax: +86-755-8427 6832

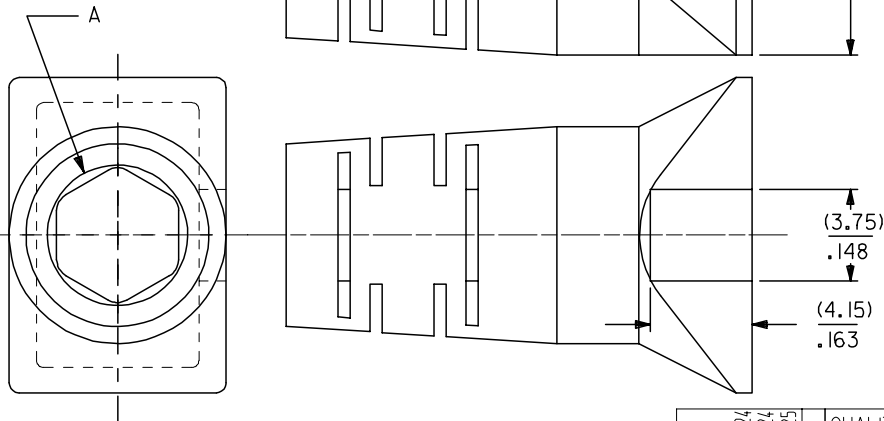
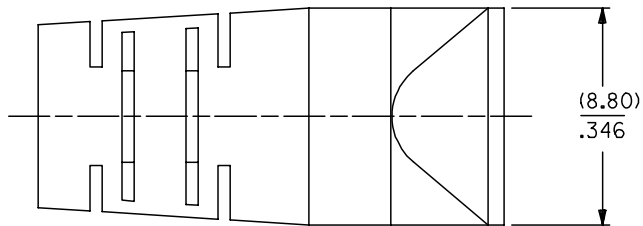
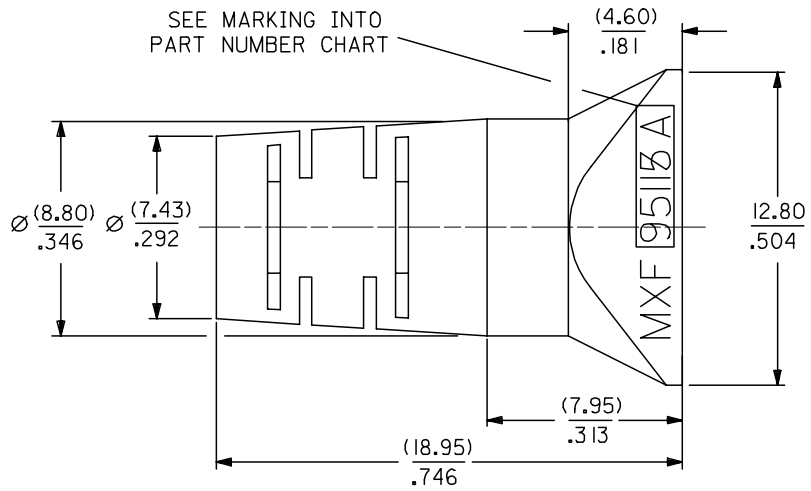
Email & Skype: info@chipsmall.com Web: www.chipsmall.com

Address: A1208, Overseas Decoration Building, #122 Zhenhua RD., Futian, Shenzhen, China



10 9 8 7 6 5 4 3 2 1

SEE MARKING INTO
PART NUMBER CHART



PART NUMBER CHART

PART NUMBER	MARKING	COLOUR	RAL NBR	CABLE DIAMETER	DIAMETER A
95115-1881	95115 A	BLACK	9005	(5.10-5.60)/.200-.220	(5.70)/.224
95115-1882	95115 A	GREY	7012	(5.10-5.60)/.200-.220	(5.70)/.224
95115-1883	95115 A	GREEN	6016	(5.10-5.60)/.200-.220	(5.70)/.224
95115-1884	95115 A	RED	3000	(5.10-5.60)/.200-.220	(5.70)/.224
95115-1885	95115 A	YELLOW	1021	(5.10-5.60)/.200-.220	(5.70)/.224
95115-1886	95115 A	BLUE	5015	(5.10-5.60)/.200-.220	(5.70)/.224
95115-2881	95115 B	BLACK	9005	(5.60-6.10)/.220-.240	(6.10)/.240
95115-2882	95115 B	GREY	7012	(5.60-6.10)/.220-.240	(6.10)/.240
95115-2883	95115 B	GREEN	6016	(5.60-6.10)/.220-.240	(6.10)/.240
95115-2884	95115 B	RED	3000	(5.60-6.10)/.220-.240	(6.10)/.240
95115-2885	95115 B	YELLOW	1021	(5.60-6.10)/.220-.240	(6.10)/.240
95115-2886	95115 B	BLUE	5015	(5.60-6.10)/.220-.240	(6.10)/.240

NOTES:

- 1- MATERIAL: THERMOPLASTIC RUBBER, UL94 V-0, COLOUR SEE CHART
- 2- COVER TO BE MOUNTED ON SHIELDED PLUG 95043 SERIES.
- 3- FOR MOUNTING INSTRUCTIONS SEE MOLEX SPECIFICATION AS-95043
- 4- COVER FOR CABLE ACCORDING TO THE MOLEX CABLE SPECIFICATION CS-95043.
- 5- PACKAGING SPECIFICATION: PK-95115-001

ADDED NOTE EC NO: E2007-0982 DRWN:DBYRNES 2007/05/24 CHKD: 2007/05/24 APPR:EDMAHONY 2007/05/25	QUALITY SYMBOLS ▽=0 ▽=0	GENERAL TOLERANCES (UNLESS SPECIFIED) <table border="1"> <tr> <th></th> <th>mm</th> <th>INCH</th> </tr> <tr> <td>4 PLACES</td> <td>± ---</td> <td>± ---</td> </tr> <tr> <td>3 PLACES</td> <td>± ---</td> <td>± .010</td> </tr> <tr> <td>2 PLACES</td> <td>± 0.25</td> <td>± .014</td> </tr> <tr> <td>1 PLACE</td> <td>± 0.35</td> <td>± ---</td> </tr> </table>		mm	INCH	4 PLACES	± ---	± ---	3 PLACES	± ---	± .010	2 PLACES	± 0.25	± .014	1 PLACE	± 0.35	± ---	DIMENSION STYLE MM/IN	SCALE 5:1	DESIGN UNITS METRIC	THIRD ANGLE PROJECTION
		mm	INCH																		
	4 PLACES	± ---	± ---																		
	3 PLACES	± ---	± .010																		
2 PLACES	± 0.25	± .014																			
1 PLACE	± 0.35	± ---																			
DRAWN BY GP	DATE 1993/01/07	TITLE ROUND CABLE BOOT FOR SHIELDED PLUG 95043 SERIES																			
CHECKED BY	DATE	APPROVED BY																			
APPROVED BY	DATE	MATERIAL NO.																			
DRAFT WHERE APPLICABLE MUST REMAIN WITHIN DIMENSIONS		SEE CHART		DOCUMENT NO. SDA-95115-F		SHEET NO. 1 OF 1															

9 8 7 6 5 4 3 2 1