



Chipsmall Limited consists of a professional team with an average of over 10 year of expertise in the distribution of electronic components. Based in Hongkong, we have already established firm and mutual-benefit business relationships with customers from,Europe,America and south Asia,supplying obsolete and hard-to-find components to meet their specific needs.

With the principle of “Quality Parts,Customers Priority,Honest Operation,and Considerate Service”,our business mainly focus on the distribution of electronic components. Line cards we deal with include Microchip,ALPS,ROHM,Xilinx,Pulse,ON,Everlight and Freescale. Main products comprise IC,Modules,Potentiometer,IC Socket,Relay,Connector.Our parts cover such applications as commercial,industrial, and automotives areas.

We are looking forward to setting up business relationship with you and hope to provide you with the best service and solution. Let us make a better world for our industry!



Contact us

Tel: +86-755-8981 8866 Fax: +86-755-8427 6832

Email & Skype: info@chipsmall.com Web: www.chipsmall.com

Address: A1208, Overseas Decoration Building, #122 Zhenhua RD., Futian, Shenzhen, China



NOTES :

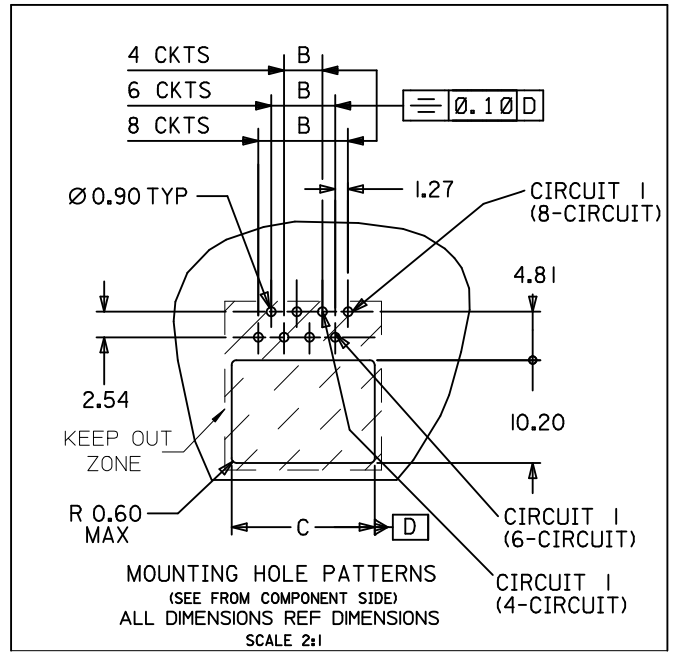
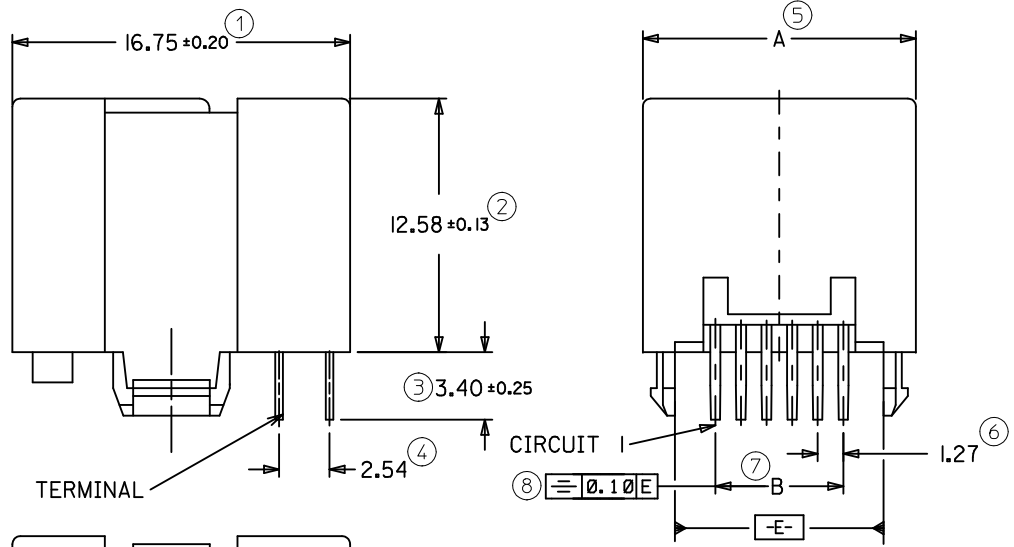
I- MATERIAL:

- HOUSING: L C P FIBER GLASS FILLED UL 94-V0 COLOR BLACK.
- MODULE : L C P FIBER GLASS FILLED UL 94-V0 COLOR BLACK.
- TERMINAL: COPPER ALLOY

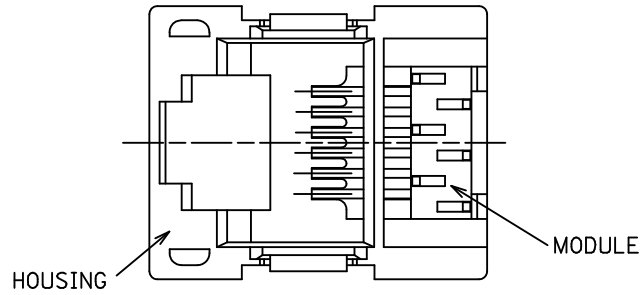
PLATING:

PLATING 7: POST PLATE 0.00005 MIN GOLD FLASH OVER
 0.00060 MIN PALLADIUM-NICKEL IN CONTACT AREA,
 0.00190 MIN PURE TIN IN TAIL AREA
 BOTH OVER 0.00127 MIN NICKEL OVERALL

- 2- JACK FOR MATING WITH IEC 60603-7 AND TIA-1096-A PLUGS 90075 MOLEX SERIES.
 - 3- PCB THICKNESS : 1.57
 - 4- PRODUCT SPECIFICATION PS-95502-001
 - 5- PACKAGING SPECIFICATION PK-95002
 - 6- APPLICATION SPECIFICATION: AS-85513-001
 - 7- MANUFACTURING I.D. CAN BE MG, MXF OR MXI.
- LAST INSPECTION NUMBER: 8



P/N	PLATING	HOUSING SIZE	CKTS.	DIM.		
				A ±0.13	B ±0.05 / ±0.10	C ±0.08
95502-7443	7	POS 4	4 CKTS	11.50	3.81	10.20
95502-7643	7	POS 6	4 CKTS	13.55	3.81	12.20
95502-7663	7	POS 6	6 CKTS	13.55	6.35	12.20
95502-7883	7	POS 8	8 CKTS	15.55	8.89	14.20



CORRECTED VIEWS EC NO: IPG2013-1115 DRWINGBYRNES 2013/01/24 CHKD:SMCGREEVY 2013/02/05 APPR:STGRIFFIN 2013/02/21	QUALITY SYMBOLS	GENERAL TOLERANCES (UNLESS SPECIFIED)	DIMENSION STYLE	SCALE	DESIGN UNITS	THIRD ANGLE PROJECTION	
	▽=0 ◻=0	mm INCH 4 PLACES ± --- ± --- 3 PLACES ± --- ± --- 2 PLACES ± 0.15 ± --- 1 PLACE ± 0.25 ± --- ANGULAR ± .5 °	MM ONLY	4:1	METRIC		
			DRAWN BY: TMARTIN DATE: 2005/05/31	TITLE: BOTTOM ENTRY LOW PROFILE MODULAR JACK (THROUGH HOLE VERSION)			
			CHECKED BY: FCARABETTA DATE: 2005/05/31	MOLEX INCORPORATED			
		APPROVED BY: KNOLLER DATE: 2005/05/31	DOCUMENT NO. SD-95502-001				
		MATERIAL NO.	SHEET NO. 1 OF 1				
		DRAFT WHERE APPLICABLE MUST REMAIN WITHIN DIMENSIONS	THIS DRAWING CONTAINS INFORMATION THAT IS PROPRIETARY TO MOLEX INCORPORATED AND SHOULD NOT BE USED WITHOUT WRITTEN PERMISSION				

NOTES :

1- MATERIAL:

- HOUSING: LCP FIBER GLASS FILLED UL 94-V0 COLOR BLACK.
- MODULE: LCP FIBER GLASS FILLED UL 90-V0 COLOR BLACK
- TERMINAL: COPPER ALLOY

PLATING:

PLATING 7: POST PLATE 0.00005 MIN GOLD FLASH OVER
 0.00060 MIN PALLADIUM-NICKEL IN CONTACT AREA,
 0.00190 MIN PURE TIN IN TAIL AREA
 BOTH OVER 0.00127 MIN PURE NICKEL OVERALL

2- JACK FOR MATING WITH IEC 60603-7 AND TIA-1096-A
 PLUGS 90075 MOLEX SERIES.

3- PCB THICKNESS : 1.57

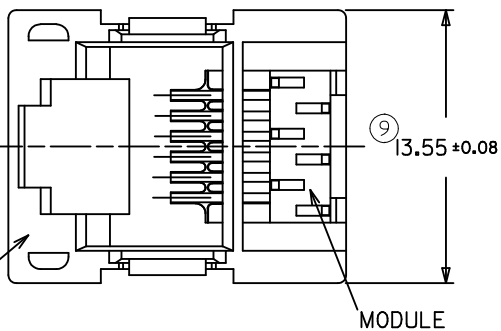
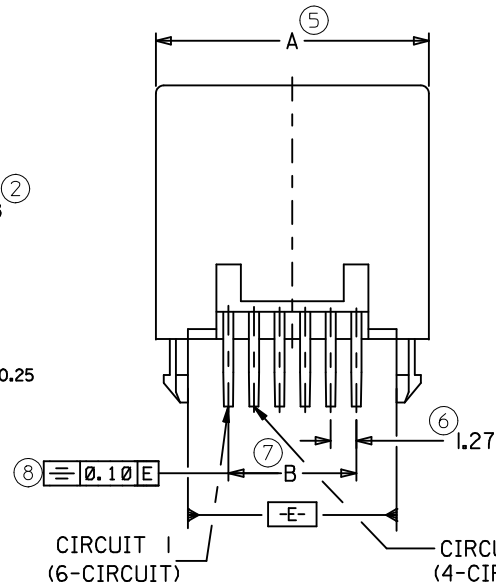
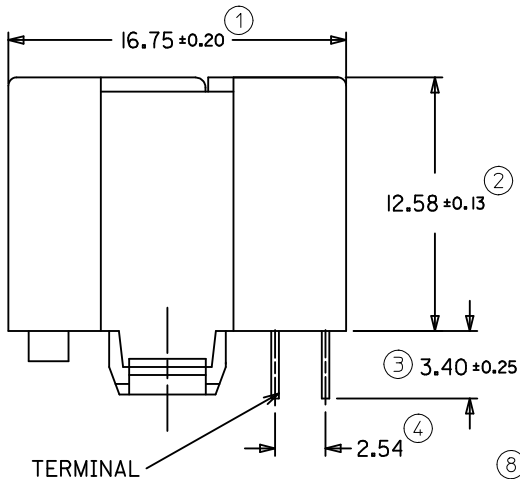
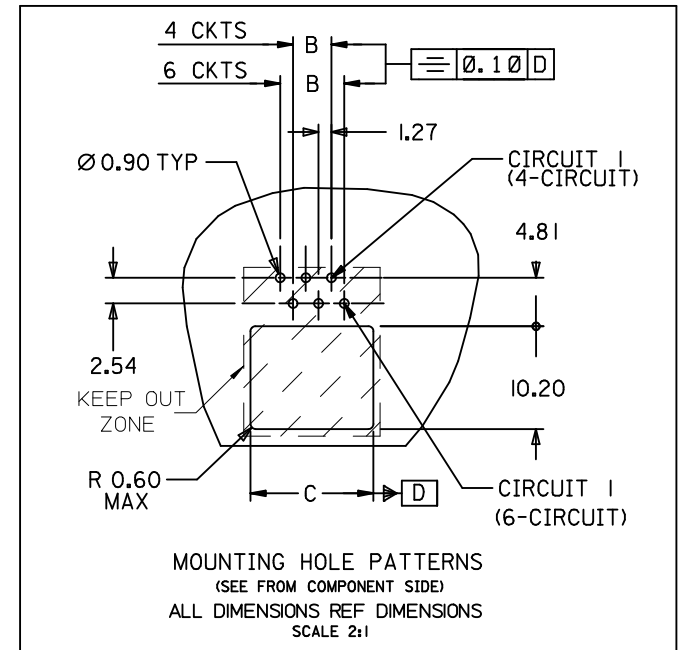
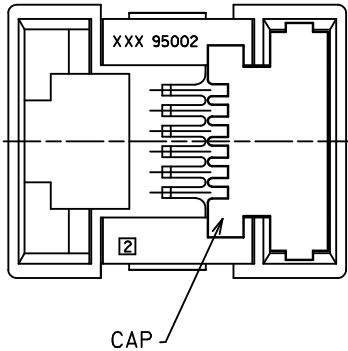
4- PRODUCT SPECIFICATION PS-95502-001

5- PACKAGING SPECIFICATION PK-95002

6- MANUFACTURING I.D. CAN BE MG, MXF OR MXI.

7- APPLICATION SPECIFICATION: AS-85513-001

LAST INSPECTION NUMBER: 9



P/N	PLATING	HOUSING SIZE	CKTS	DIM		
				A ±0.13	B ±0.05 / 0.10	C ±0.08
95502-7447	7	POS 4	4 CKTS	11.50	3.81	10.20
95502-7647	7	POS 6	4 CKTS	13.55	3.81	12.20
95502-7667	7	POS 6	6 CKTS	13.55	6.35	12.20

CORRECTED VIEWS EC NO: IPG2013-1115 DRW:DBYRNES 2013/01/24 CHKD:SMGREVY 2013/02/05 APPR:STURIFFIN 2013/02/21 DESCRIPTION	QUALITY SYMBOLS	GENERAL TOLERANCES (UNLESS SPECIFIED)	DIMENSION STYLE	SCALE	DESIGN UNITS	THIRD ANGLE PROJECTION	
	▽=0 ▽=0	mm INCH 4 PLACES ± --- ± --- 3 PLACES ± --- ± --- 2 PLACES ± 0.15 ± --- 1 PLACE ± 0.25 ± --- ANGULAR ± .5 °	MM ONLY	4:1	METRIC		
		DRAFT WHERE APPLICABLE MUST REMAIN WITHIN DIMENSIONS	DRAWN BY: TMARTIN CHECKED BY: FCARABETTA APPROVED BY: KNOLLER DATE: 2005/05/31 DATE: 2005/05/31 DATE: 2005/05/31	TITLE	BOTTOM ENTRY LOW PROFILE MODULAR JACK WITH CAP (THROUGH HOLE VERSION)		
			MATERIAL NO. SEE CHART	MOLEX INCORPORATED DOCUMENT NO. SD-95502-002	SHEET NO. 1 OF 1		