



Chipsmall Limited consists of a professional team with an average of over 10 year of expertise in the distribution of electronic components. Based in Hongkong, we have already established firm and mutual-benefit business relationships with customers from,Europe,America and south Asia,supplying obsolete and hard-to-find components to meet their specific needs.

With the principle of "Quality Parts,Customers Priority,Honest Operation,and Considerate Service",our business mainly focus on the distribution of electronic components. Line cards we deal with include Microchip,ALPS,ROHM,Xilinx,Pulse,ON,Everlight and Freescale. Main products comprise IC,Modules,Potentiometer,IC Socket,Relay,Connector.Our parts cover such applications as commercial,industrial, and automotives areas.

We are looking forward to setting up business relationship with you and hope to provide you with the best service and solution. Let us make a better world for our industry!



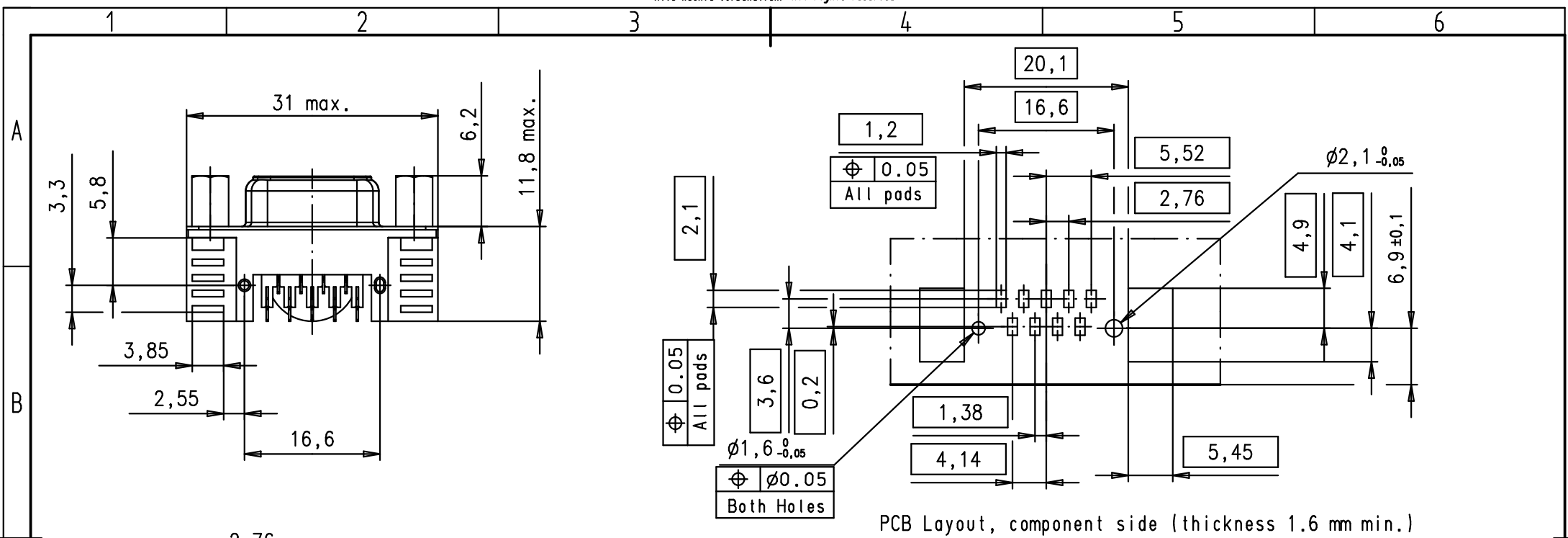
## Contact us

Tel: +86-755-8981 8866 Fax: +86-755-8427 6832

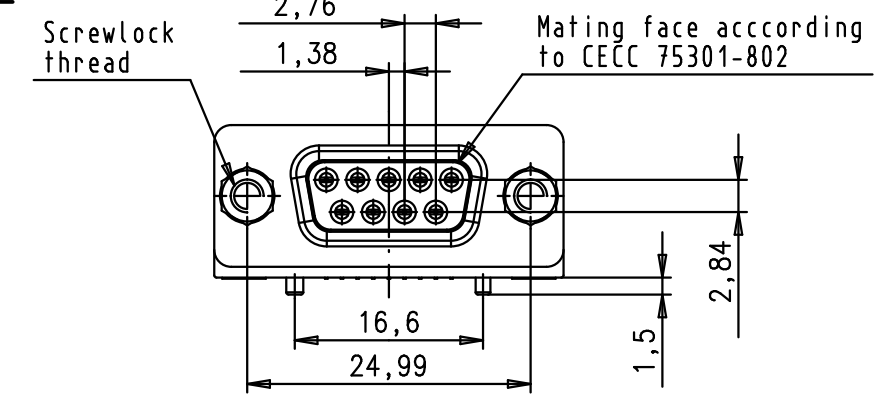
Email & Skype: info@chipsmall.com Web: www.chipsmall.com

Address: A1208, Overseas Decoration Building, #122 Zhenhua RD., Futian, Shenzhen, China



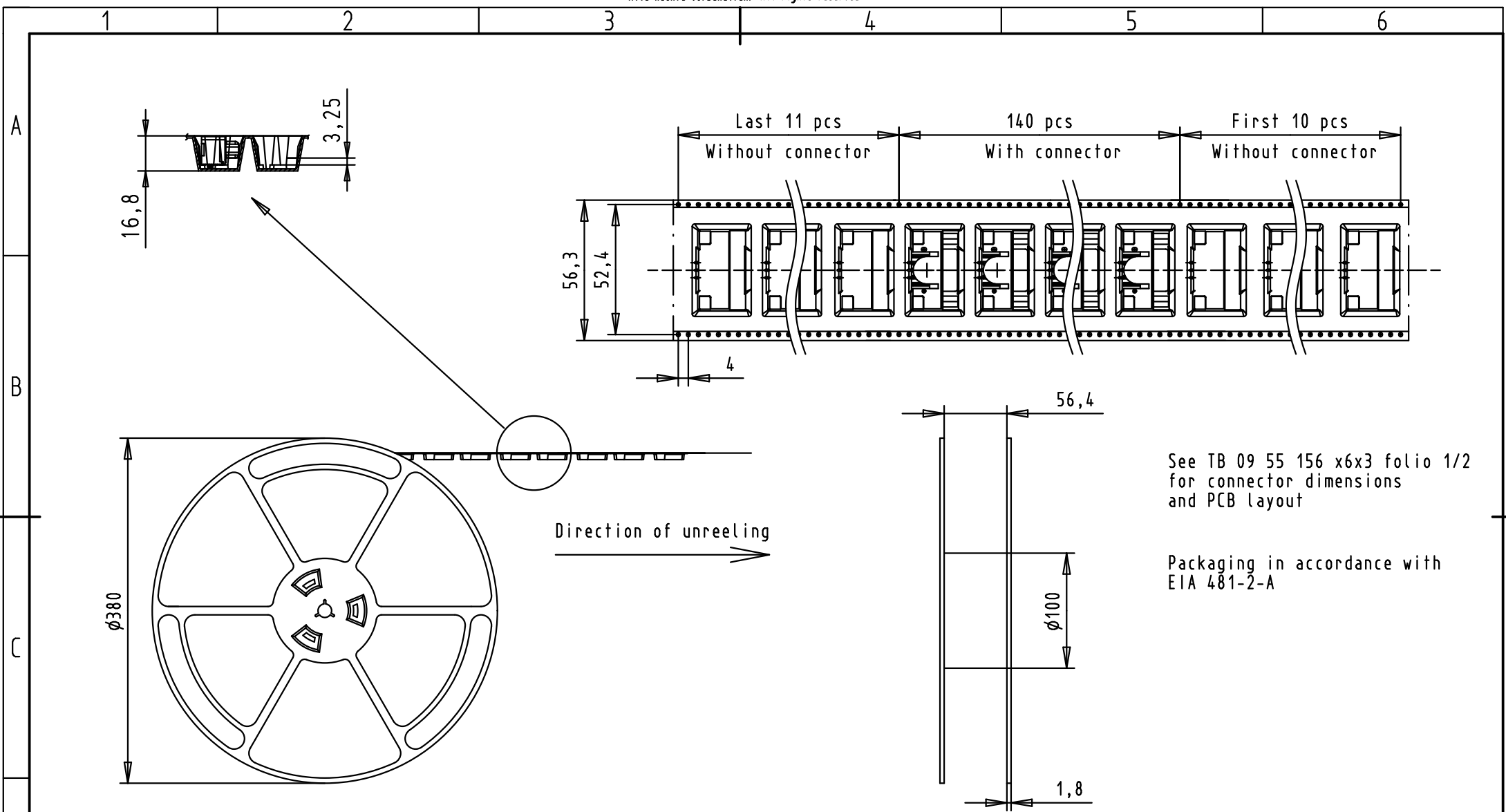


PCB Layout, component side (thickness 1.6 mm min.)





Max. Temperature : 260° during 10 seconds

D	09551563613.741	1	4-40 UNC	Black Insulator	Reel Packaging (140 connectors) see page 2/2	EC02316	30Aug2010	ED			 All Dim. in mm Orig. Size DIN A 4	D-SUB SMT Standard Female 9p with die casted grounds and screwlocks	Maßstab/ Scale 1,5:1	
	09551566613.741	2				EC01754	30Apr2010	ED	Detail.	30Jun2006				ED
	09551567613.741	3				EC01199	11Jan2010	ED	Insp.					
	09551563633.741	1				34398	22Aug2007	ED	Stand.					
	09551566633.741	2				33929	25Jan2007	ED	HARTING EURL F-95972 Paris					
	09551567633.741	3				33785	17Jul2006	ED						
	Part number	PL	Thread	Index designation	Mod.	Dot.	Name				Sub.	Blatt/ Page 1 / 2		



See TB 09 55 156 x6x3 folio 1/2 for connector dimensions and PCB layout

Packaging in accordance with EIA 481-2-A

D	09551563613.741	1	4-40 UNC	Black Insulator	Reel Packaging (140 connectors)	EC02316	30Aug2010	ED		Dot.	Name	 All Dim. in mm Orig. Size DIN A 4	D-SUB SMT Standard Female 9p with die casted grounds and screwlocks	Maßstab/ Scale
	09551566613.741	2				EC01199	11Jan2010	ED	Detail.	17Jul2006	ED			
	09551567613.741	3				EC01118	26Nov2009	LP	Insp.					
	09551563633.741	1				34398	22Aug2007	ED	Stand.					
	09551566633.741	2				33975	02Apr2007	ED	HARTING EURL F-95972 Paris					
	09551567633.741	3				33929	25Jan2007	ED						
	Part number	PL	Thread	Index designation	Mod.	Dot.	Name				TB 09 55 156 x6x3 Sub.	Blatt/ Page 2 / 2		