



Chipsmall Limited consists of a professional team with an average of over 10 year of expertise in the distribution of electronic components. Based in Hongkong, we have already established firm and mutual-benefit business relationships with customers from,Europe,America and south Asia,supplying obsolete and hard-to-find components to meet their specific needs.

With the principle of “Quality Parts,Customers Priority,Honest Operation,and Considerate Service”,our business mainly focus on the distribution of electronic components. Line cards we deal with include Microchip,ALPS,ROHM,Xilinx,Pulse,ON,Everlight and Freescale. Main products comprise IC,Modules,Potentiometer,IC Socket,Relay,Connector.Our parts cover such applications as commercial,industrial, and automotives areas.

We are looking forward to setting up business relationship with you and hope to provide you with the best service and solution. Let us make a better world for our industry!



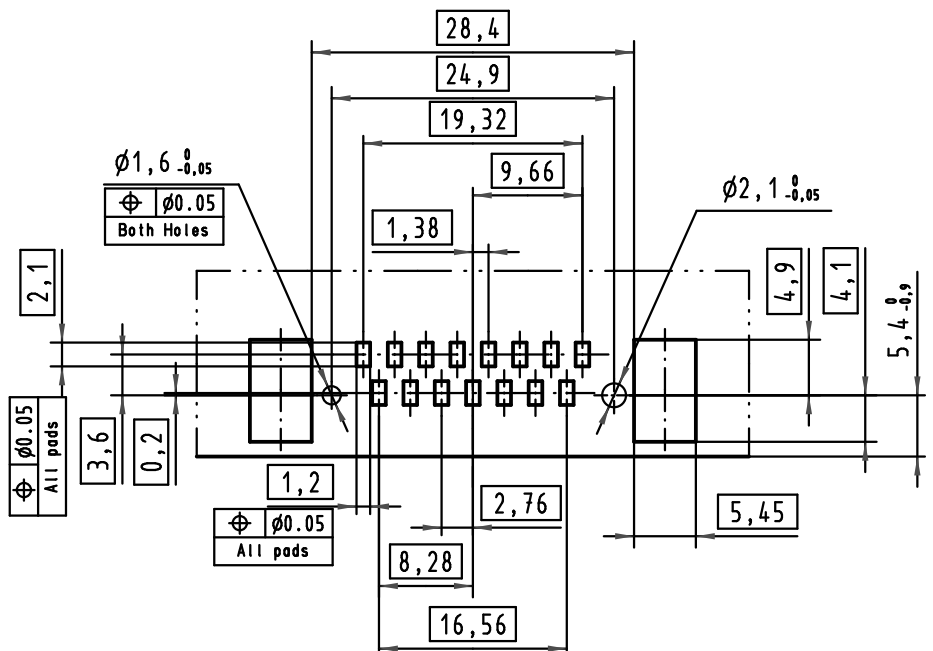
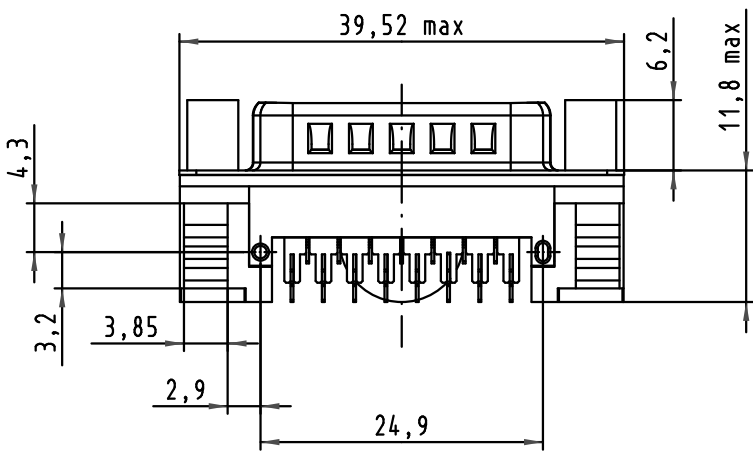
Contact us

Tel: +86-755-8981 8866 Fax: +86-755-8427 6832

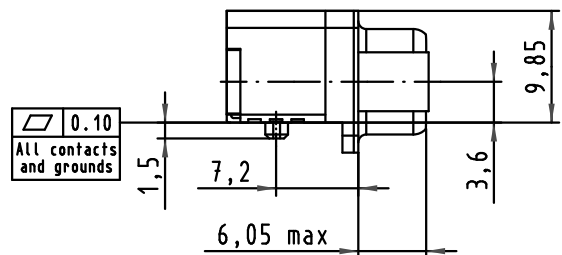
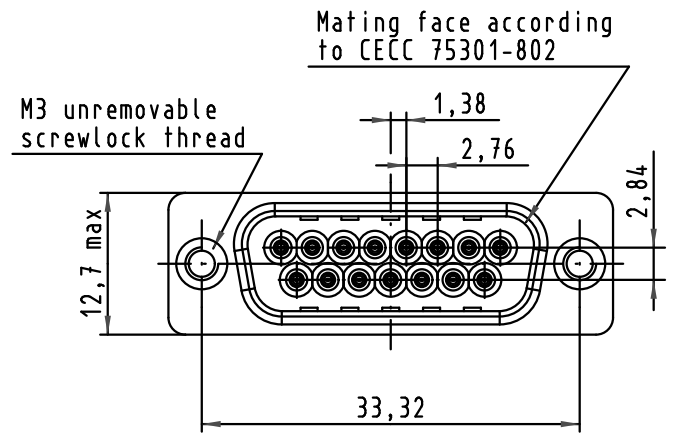
Email & Skype: info@chipsmall.com Web: www.chipsmall.com

Address: A1208, Overseas Decoration Building, #122 Zhenhua RD., Futian, Shenzhen, China





PCB Layout, component side (thickness 1,6mm min.)



Max. Temperature: 260°C during 10 seconds

09552663819.741	1	M3	Black Insulator	Reel Packaging (160 connectors) see page 2/2
09552666819.741	2			
09552667819.741	3			
Part number	PL	Thread	Index designation	

				Dot.	Name
				Detail.	29Sep2009 LP
				Insp.	
				Stand.	
EC01257	25Jan2010	ED	HARTING EURL F-95972 Paris		
EC00385	29/09/2009	LP			
Mod.	Dot.	Name			



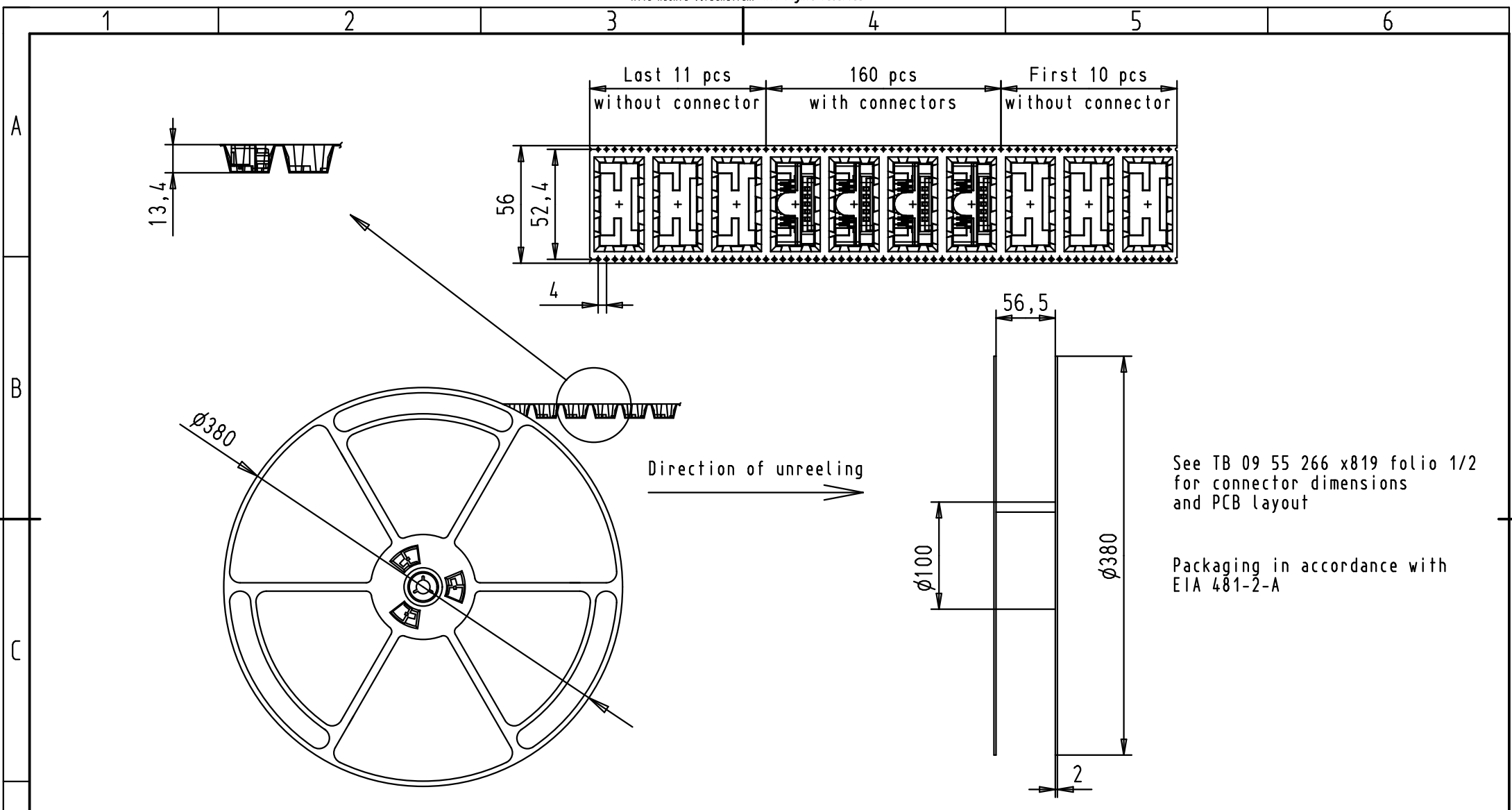
D-SUB SMT
Low Profile Male 15p
with die casted grounds
and M3 unremovable screwlocks

TB 09 55 266 x819

Sub.

Maßstab/
Scale
1,5:1

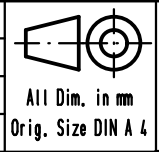
Blatt/ Page
1/2



See TB 09 55 266 x819 folio 1/2 for connector dimensions and PCB layout

Packaging in accordance with EIA 481-2-A

				Dot.	Name
				Detail.	17Jul2006 ED
				Insp.	
				Stand.	



D-SUB SMT
Low Profile Male 15p
with die casted grounds
and M3 unremovable screwlocks

Maßstab/
Scale

09552663819.741	1	M3	Black Insulator	Reel Packaging (160 connectors)
09552666819.741	2			
09552667819.741	3			
Part number	PL	Thread	Index designation	

EC01257	25Jan2010	ED
EC01078	09Nov2009	LP
Mod.	Dot.	Name

HARTING EURL
F-95972 Paris



TB 09 55 266 x819
Sub.

Blatt/ Page
2 / 2