



Chipsmall Limited consists of a professional team with an average of over 10 year of expertise in the distribution of electronic components. Based in Hongkong, we have already established firm and mutual-benefit business relationships with customers from,Europe,America and south Asia,supplying obsolete and hard-to-find components to meet their specific needs.

With the principle of “Quality Parts,Customers Priority,Honest Operation,and Considerate Service”,our business mainly focus on the distribution of electronic components. Line cards we deal with include Microchip,ALPS,ROHM,Xilinx,Pulse,ON,Everlight and Freescale. Main products comprise IC,Modules,Potentiometer,IC Socket,Relay,Connector.Our parts cover such applications as commercial,industrial, and automotives areas.

We are looking forward to setting up business relationship with you and hope to provide you with the best service and solution. Let us make a better world for our industry!



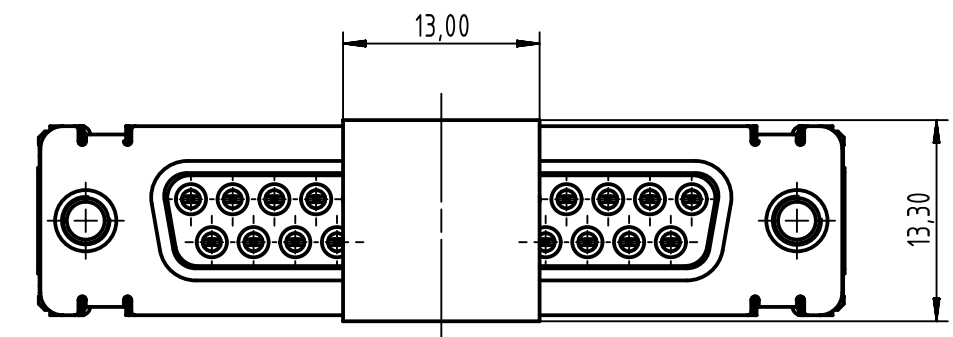
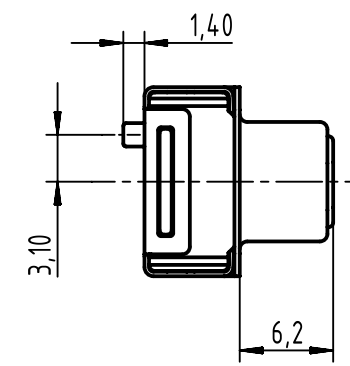
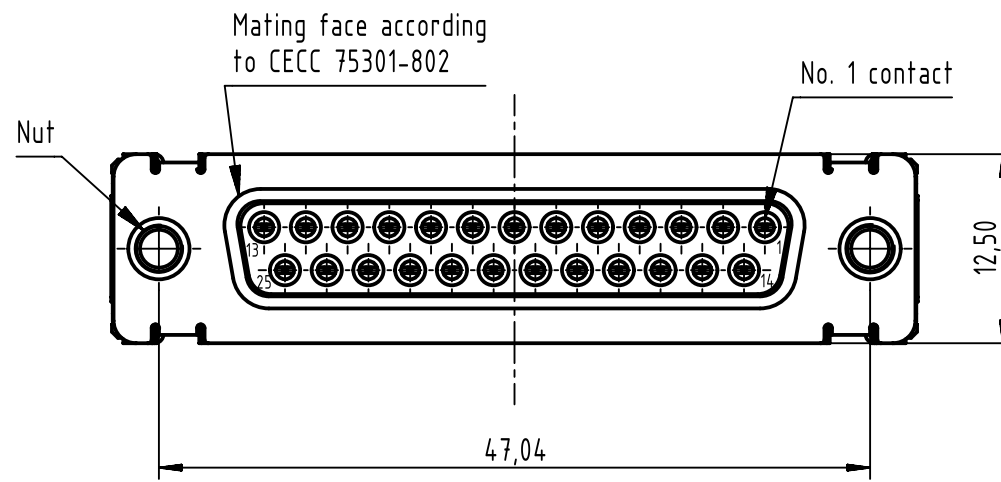
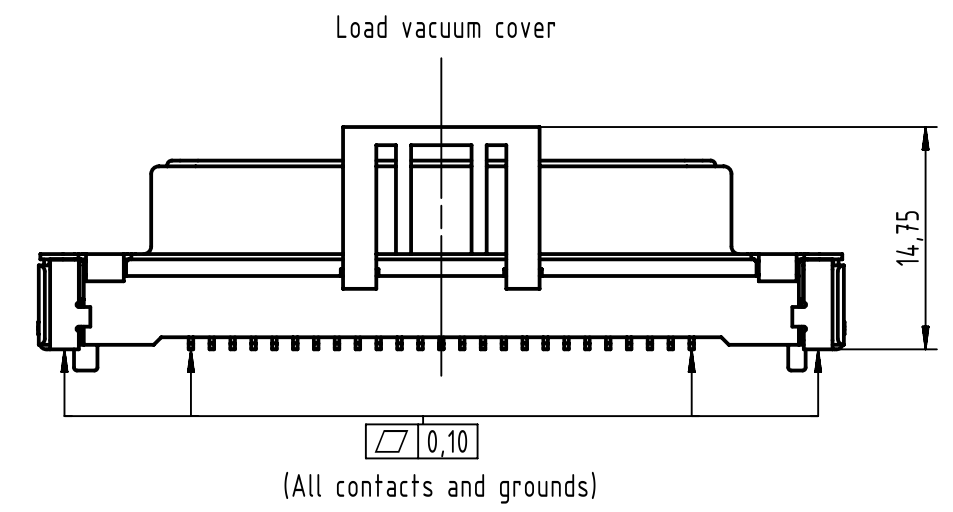
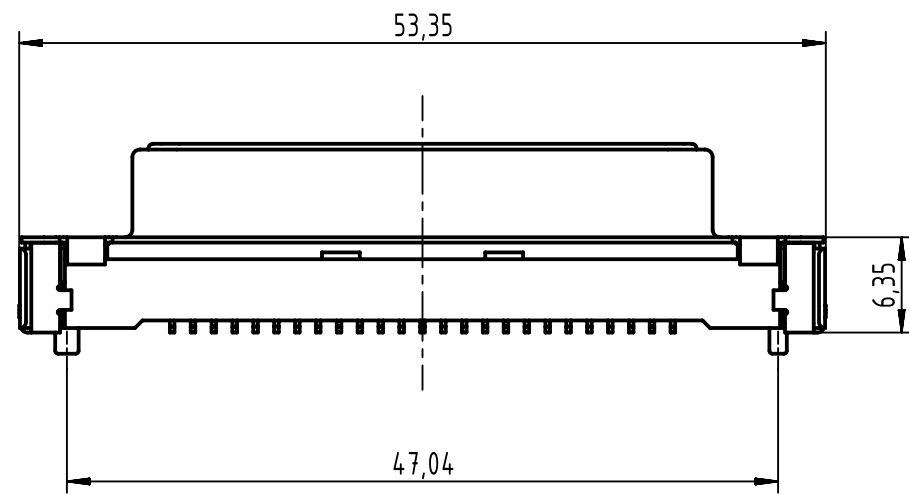
## Contact us

Tel: +86-755-8981 8866 Fax: +86-755-8427 6832

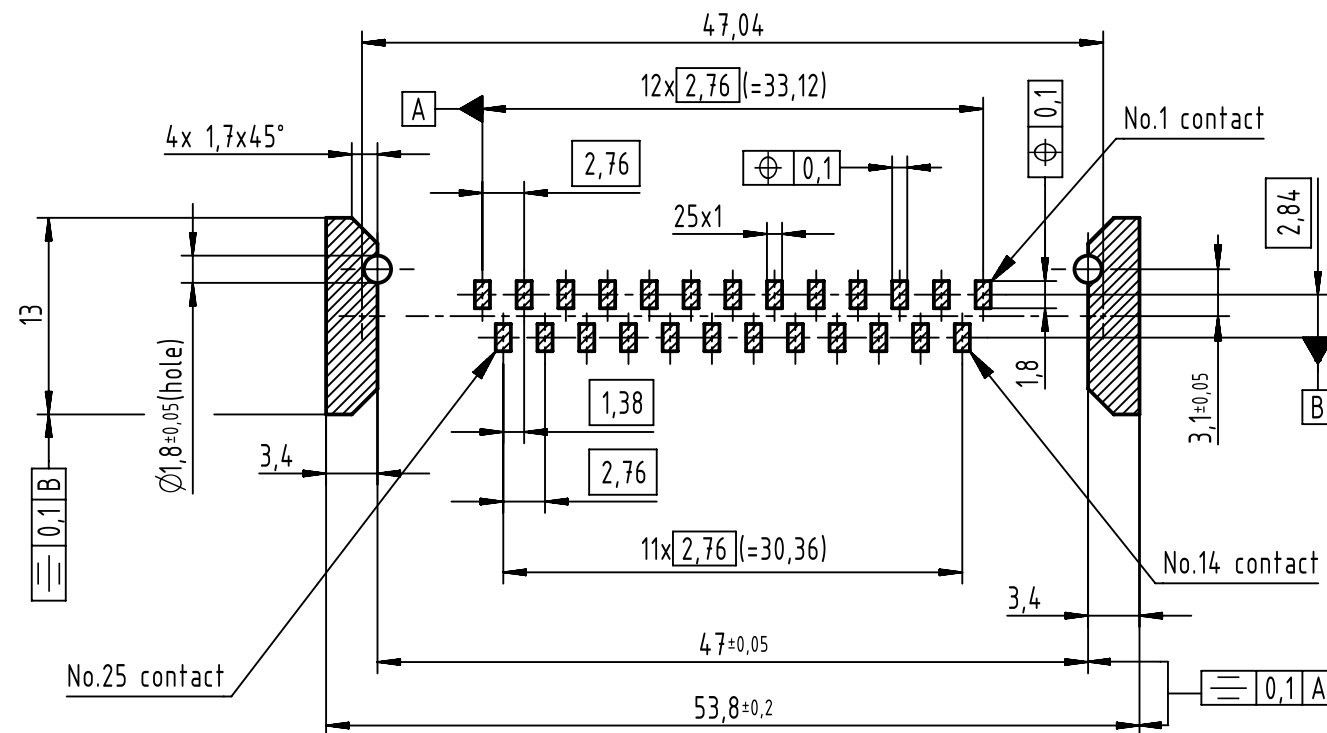
Email & Skype: info@chipsmall.com Web: www.chipsmall.com

Address: A1208, Overseas Decoration Building, #122 Zhenhua RD., Futian, Shenzhen, China





PCB layout, component side



Max. Temperature: 260° during 10 seconds.  
Find further technical information on DS 09550200302

0955 315 3611 741	1	M3	Black insulator	Reel Packaging 140 connectors
0955 315 3612 741	1	4-40 UNC		
0955 315 6611 741	2	M3		
0955 315 6612 741	2	4-40 UNC		
0955 315 7611 741	3	M3		
0955 315 7612 741	3	4-40 UNC		
Part number	PL	Nut	Index designation	

	All Dimensions in mm Original Size DIN A3		Scale 2:1	Free size tol.	Ref. Sub.	
	All rights reserved Department EC PD - CN		Created by ZHUANGJ	Inspected by LUOK	Standardisation HOFFMANN	Date 2015-03-03
HARTING Electronics GmbH D-32339 Espelkamp		Title D-Sub str SMT 25-pole fem ass with nut and ground pad			Doc-Key / ECM-Nr. 100236623/UGD/001/B 50000084919	
		Type TB	Number 0955315X61X		Rev. B	Page 1/1