



Chipsmall Limited consists of a professional team with an average of over 10 year of expertise in the distribution of electronic components. Based in Hongkong, we have already established firm and mutual-benefit business relationships with customers from,Europe,America and south Asia,supplying obsolete and hard-to-find components to meet their specific needs.

With the principle of “Quality Parts,Customers Priority,Honest Operation,and Considerate Service”,our business mainly focus on the distribution of electronic components. Line cards we deal with include Microchip,ALPS,ROHM,Xilinx,Pulse,ON,Everlight and Freescale. Main products comprise IC,Modules,Potentiometer,IC Socket,Relay,Connector.Our parts cover such applications as commercial,industrial, and automotives areas.

We are looking forward to setting up business relationship with you and hope to provide you with the best service and solution. Let us make a better world for our industry!



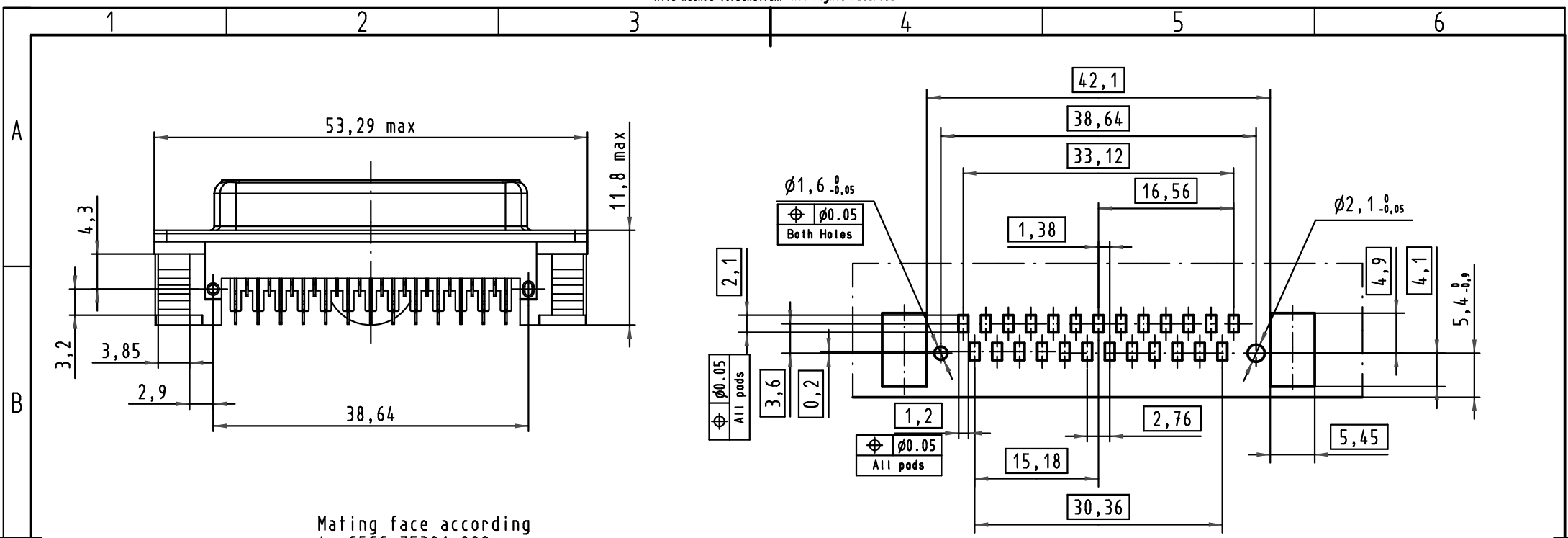
## Contact us

Tel: +86-755-8981 8866 Fax: +86-755-8427 6832

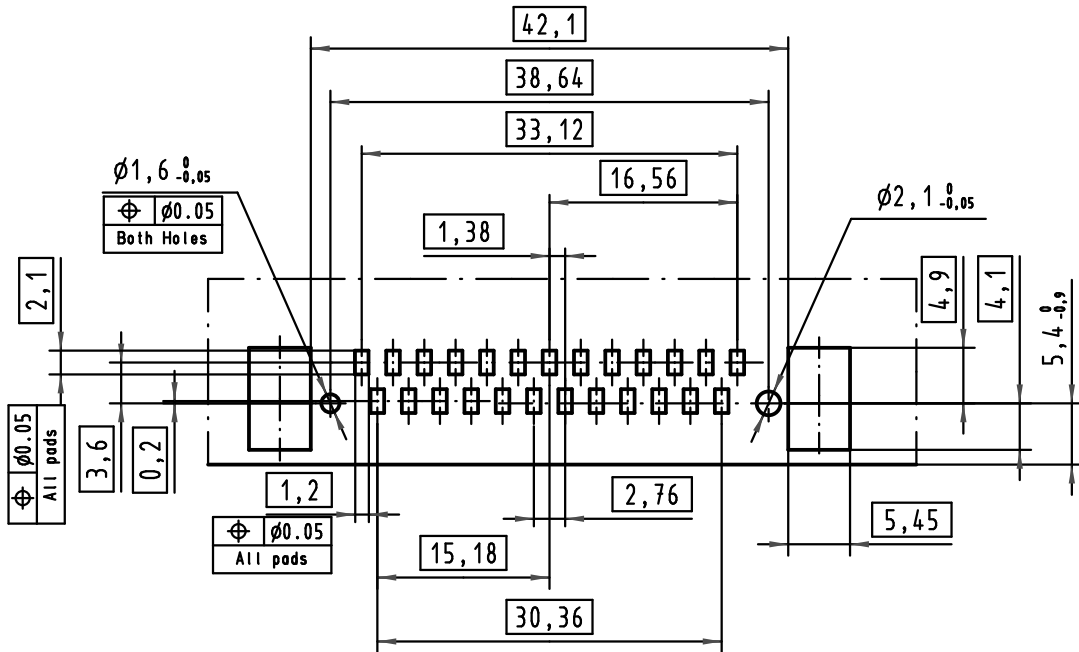
Email & Skype: info@chipsmall.com Web: www.chipsmall.com

Address: A1208, Overseas Decoration Building, #122 Zhenhua RD., Futian, Shenzhen, China

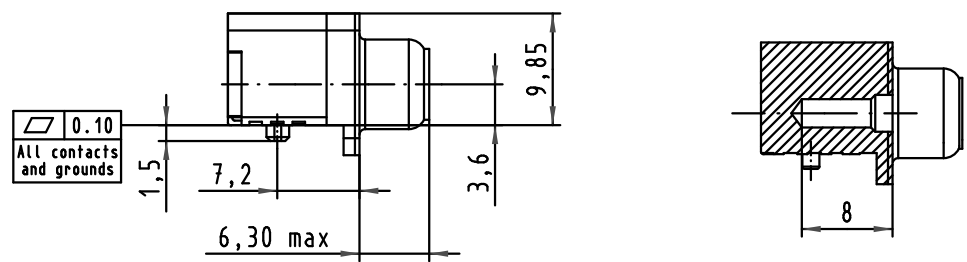
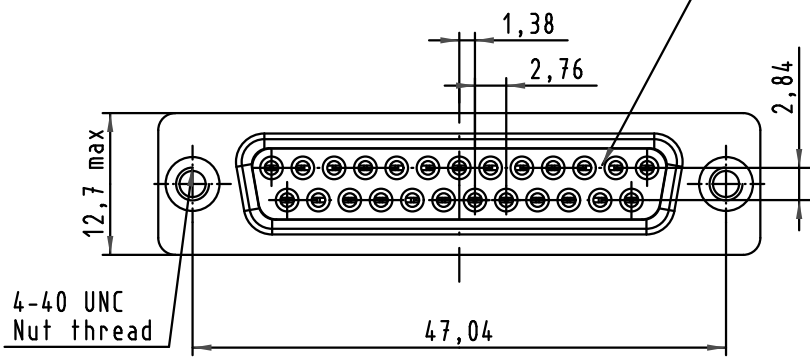




Mating face according to CECC 75301-802



PCB Layout, component side (thickness 1,6mm min.)



Max. Temperature: 260°C during 10 seconds

09553563616.741	1	4-40 UNC	Black Insulator	Reel Packaging (160 connectors) see page 2/2
09553566616.741	2			
09553567616.741	3			
Part number	PL	Thread	Index designation	

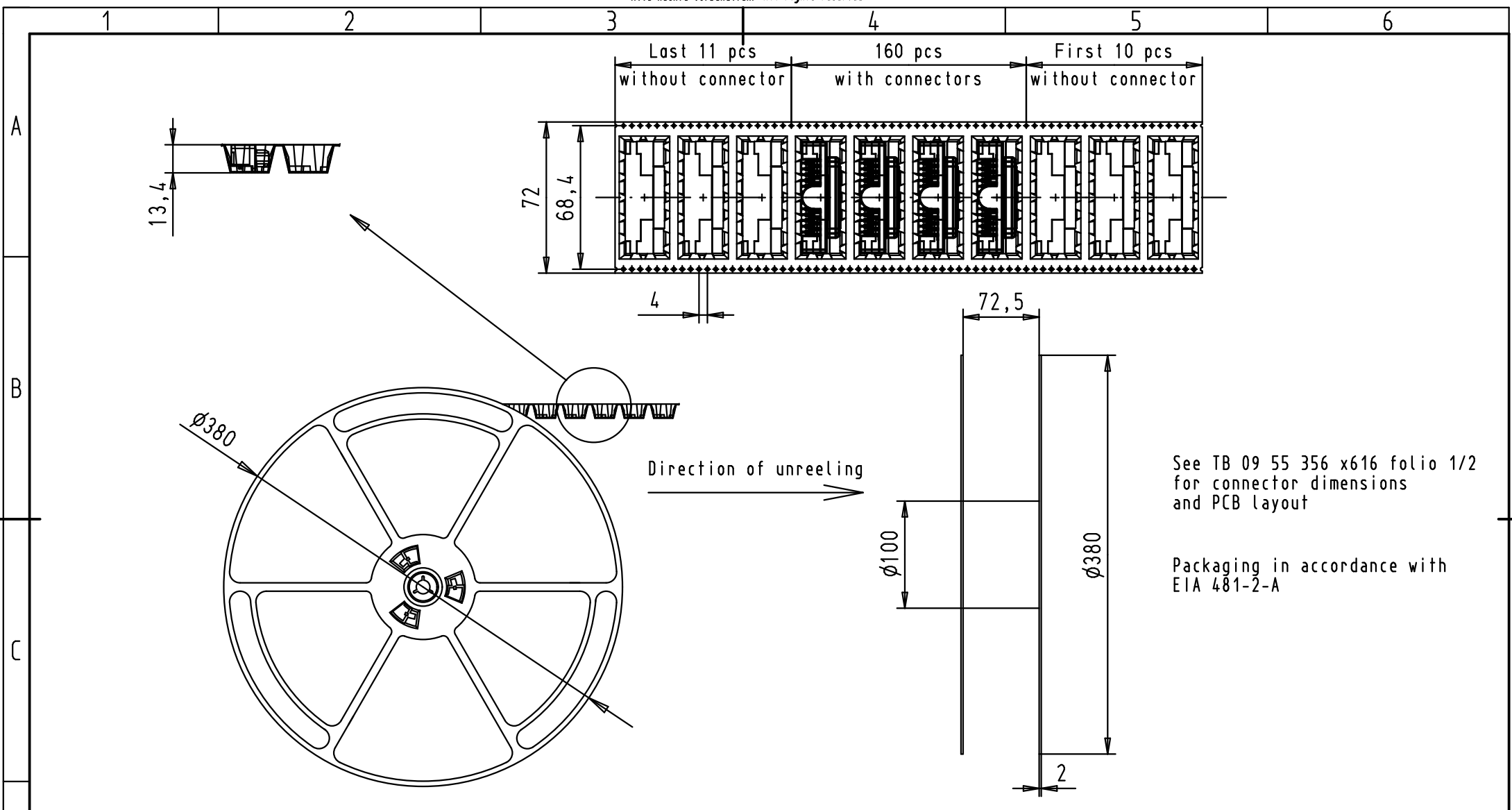
				Dot.	Name
				Detail.	30Jun2010 ED
				Insp.	
				Stand.	
EC01953	30Jun2010	ED	HARTING EURL F-95972 Paris		
Mod.	Dot.	Name			



D-SUB SMT  
Low Profile Female 25p  
with die casted grounds  
and 4-40 UNC nuts

TB 09 55 356 x616

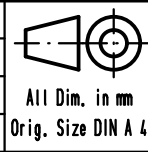
Maßstab/  
Scale  
1,5:1  
Blatt/  
Page  
1/2



See TB 09 55 356 x616 folio 1/2 for connector dimensions and PCB layout

Packaging in accordance with EIA 481-2-A

				Dot.	Name
				Detail.	30Jun2010 ED
				Insp.	
				Stand.	



D-SUB SMT  
Low Profile Female 25p  
with die casted grounds  
and 4-40 UNC nuts

Maßstab/  
Scale

09553563616.741	1	4-40 UNC	Black Insulator	Reel Packaging (160 connectors)
09553566616.741	2			
09553567616.741	3			
Part number	PL	Thread	Index designation	

EC01953	30Jun2010	ED
Mod.	Dot.	Name

HARTING EURL  
F-95972 Paris



TB 09 55 356 x616

Sub.

Blatt/ Page  
2 / 2