



Chipsmall Limited consists of a professional team with an average of over 10 year of expertise in the distribution of electronic components. Based in Hongkong, we have already established firm and mutual-benefit business relationships with customers from,Europe,America and south Asia,supplying obsolete and hard-to-find components to meet their specific needs.

With the principle of "Quality Parts,Customers Priority,Honest Operation,and Considerate Service",our business mainly focus on the distribution of electronic components. Line cards we deal with include Microchip,ALPS,ROHM,Xilinx,Pulse,ON,Everlight and Freescale. Main products comprise IC,Modules,Potentiometer,IC Socket,Relay,Connector.Our parts cover such applications as commercial,industrial, and automotives areas.

We are looking forward to setting up business relationship with you and hope to provide you with the best service and solution. Let us make a better world for our industry!



## Contact us

Tel: +86-755-8981 8866 Fax: +86-755-8427 6832

Email & Skype: info@chipsmall.com Web: www.chipsmall.com

Address: A1208, Overseas Decoration Building, #122 Zhenhua RD., Futian, Shenzhen, China

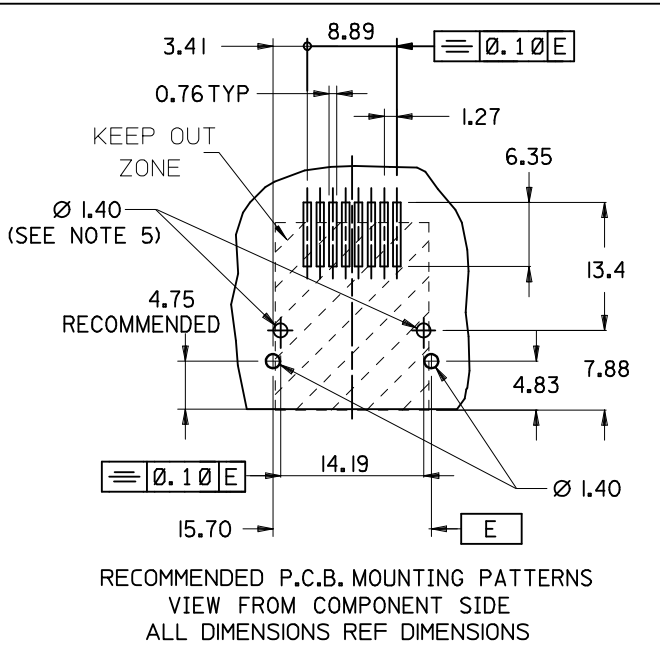
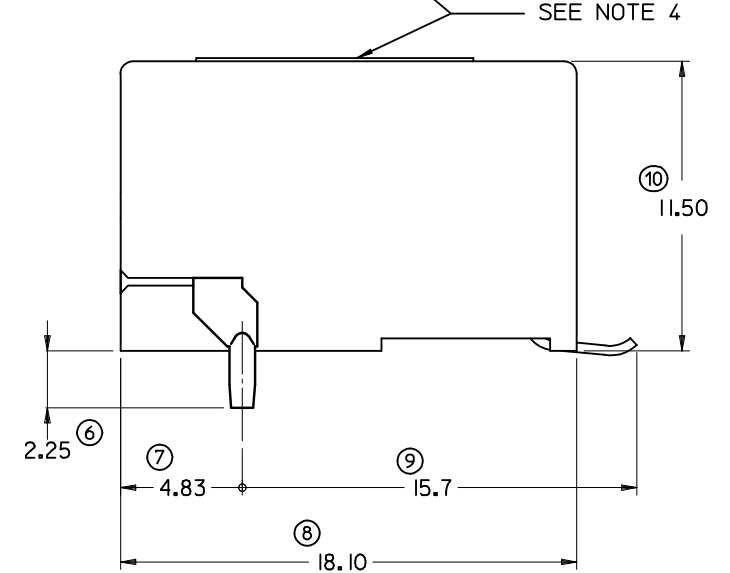
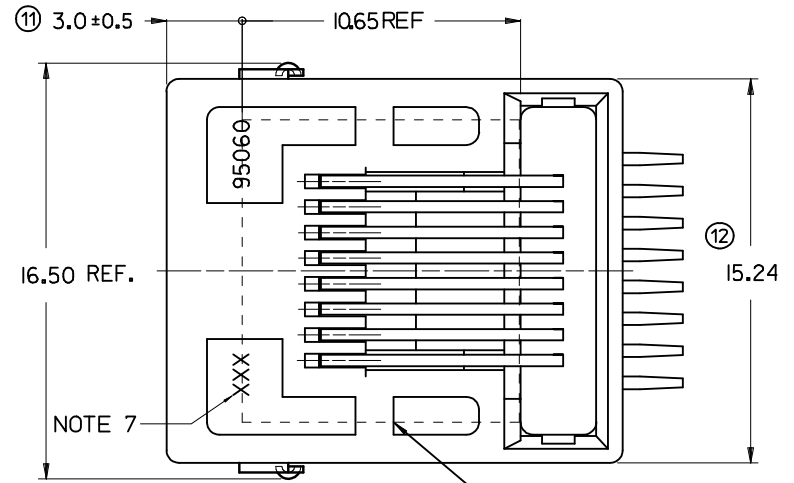
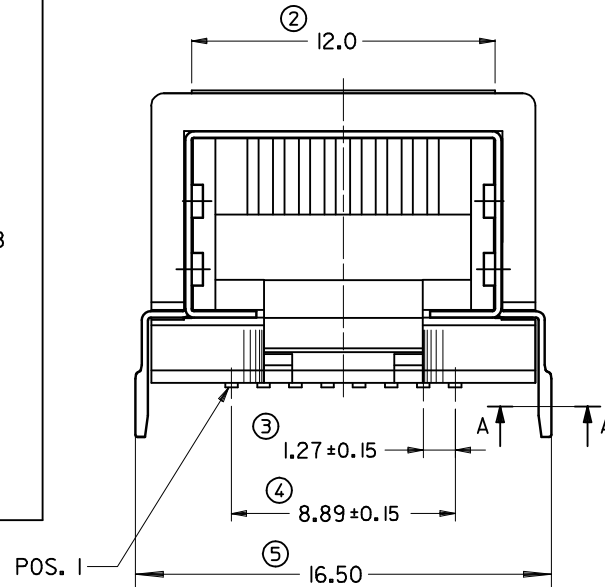
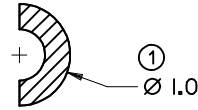


**TECHNICAL SPECIFICATIONS:**

**MATERIAL :**  
**HOUSING:** LCP GLASS FILLED UL 94V0, COLOR: BLACK  
**TERMINAL:** COPPER ALLOY PLATED WITH :  
**BASE FINISH:** NICKEL  
**CONTACT SURFACE FINISH:**  
 GOLD  
 OR  
 GOLD FLASH OVER PALLADIUM NICKEL  
 EXCEEDS PRODUCT REQUIREMENTS BASED ON PS-95540-002  
**SHIELD :** COPPER ALLOY PLATED WITH TIN

PACKAGING		
PART NUMBER	REEL SIZE	SPEC.
95540-6880	330	PK-85502 SHT.1

**SECTION A-A**



**NOTES:**

- JACK FOR MATING WITH IEC 60603-7 AND TIA-1096-A PLUGS, 95043 MOLEX SERIES.
- COPLANARITY OF LEADS : 0.10 MAX.
- PACKAGING : MOLEX PK-85502 SHEET I (BLISTER ON REEL).
- KAPTON ADHESIVE FOIL: 0.125 THICK.
- OPTIONAL HOLES FOR COMPAT. WITH UNSHIELDED VERSION.
- PRODUCT SPECIFICATION: MOLEX PS-95540-002
- MANUFACTURING I.D. CAN BE EITHER MXF, MG OR MXI.  
 LAST INSPECTION NUMBER: 12

REV	DESCRIPTION	QUALITY SYMBOLS	GENERAL TOLERANCES (UNLESS SPECIFIED)		DIMENSION STYLE		SCALE	DESIGN UNITS	THIRD ANGLE PROJECTION	
			mm	INCH	MM ONLY	5:1	METRIC	⊕		
REMOVED OPTION	EC NO: IPG2012-0697	▽=0	4 PLACES	± ---	± ---	DRAWN BY	DATE	TITLE	RIGHT ANGLE LOW PROFILE SMT SHIELDED P.C. JACK WITH SOLDER LEGS	
DRW:DBYRNES	2012/04/02	▽=1	3 PLACES	± ---	± ---	KNOLLER	04/06/16	MOLEX INCORPORATED		
CHKD:FUGGAN	2012/04/17		2 PLACES	± 0.1	± ---	CHECKED BY	DATE	SD-95540-001	SHEET NO.	
APPR:EFOLAN	2012/06/26		1 PLACE	± 0.15	± ---	FCARABET	04/06/17	3 OF 3		
			ANGULAR ±1/2°			APPROVED BY	DATE			
			DRAFT WHERE APPLICABLE MUST REMAIN WITHIN DIMENSIONS			KNOLLER	04/06/17			
						MATERIAL NO.	DATE			
						SEE CHART	DATE			
						SIZE	DATE			
						A3	THIS DRAWING CONTAINS INFORMATION THAT IS PROPRIETARY TO MOLEX INCORPORATED AND SHOULD NOT BE USED WITHOUT WRITTEN PERMISSION			